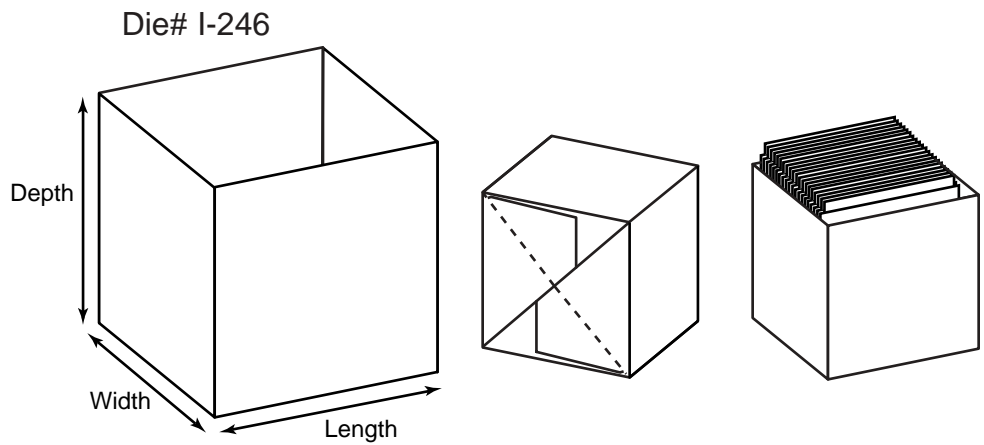


CD/DVD ROM • SOFTWARE • DISKETTE

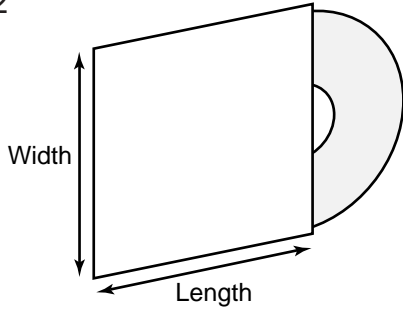


Product Type: **Load'nLoc** CD Sleeves

Die # Length x Width x Depth Description

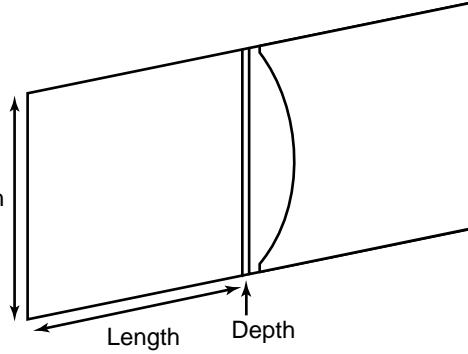
Die #	Length x Width x Depth	Description
P-01146	4-15/16 x 5	Load'nLoc sleeve; 0201--use insert 0200, I-245
P-01145	4-13/16 x 4-11/16	Load'nLoc insert; I-245, 0200 --use sleeve 0201
P-01143	4-15/16 x 5	Load'nLoc CD pack with 3-3/16" diameter window; B-127
P-01143	5 x 4-15/16	Load'nLoc, with 3-3/16" diameter window; B-127, 0272 --use sleeve 0271
P-01144	4-15/16 x 5	Load'nLoc sleeve with 3-3/16" diameter window; 0271 --use insert 0272
I-246	4-3/4 x 5-3/16 x 5-1/16	Auto-lock bottom box holds 20 Load'nLoc CD holders, works with I-321

CD-2

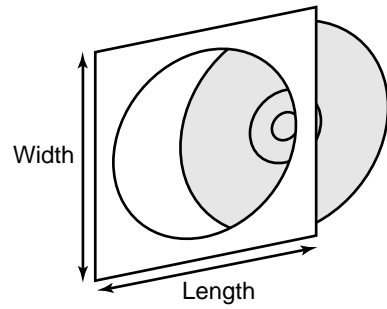


P-01014,
P-01028,
P-01265,
Die# I-085 & 0322
P-01054,

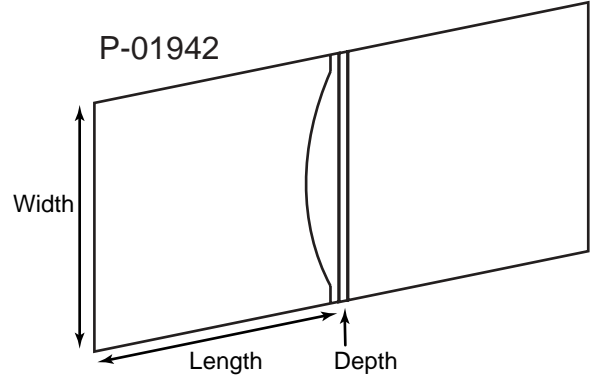
P-01023,
P-01313,
Die# I-425-JF



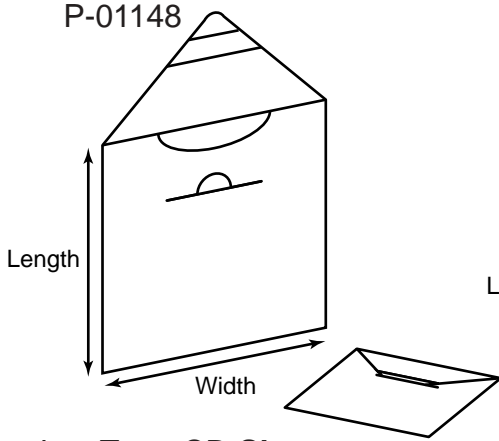
P-01034



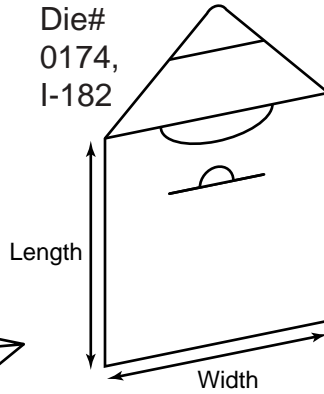
P-01942



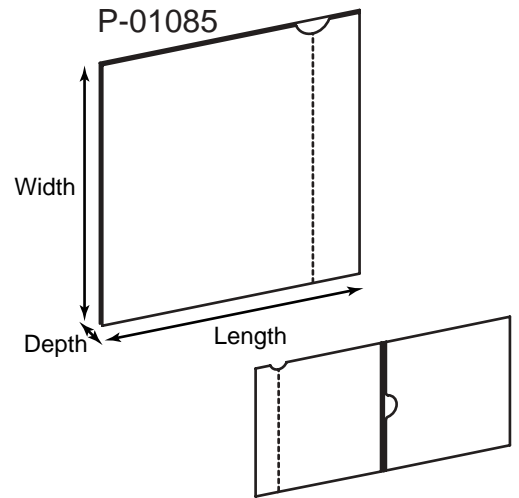
P-01148



Die#
0174,
I-182



P-01085

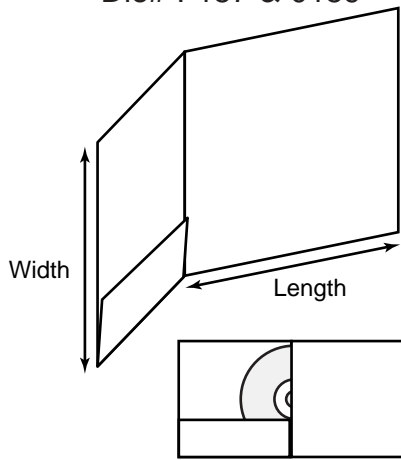


Product Type: CD Sleeves

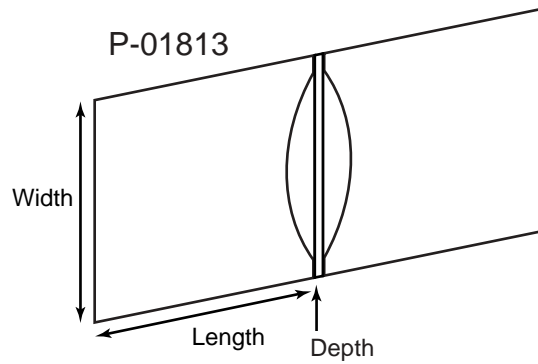
Die # Length x Width x Depth Description

Die #	Length x Width x Depth	Description
P-01014	5-1/8 x 5	Single CD sleeve; 0183, B-014-JF, B-299
P-01028	4-15/16 x 4-7/8	Single CD sleeve- tight fit; 0382, B-306
P-01265	5-1/16 x 5-1/8	Single CD Sleeve; I-079
I-085	4-15/16 x 4-7/8	CD Sleeve - tight fit - same as 0322
P-01054	5-1/8 x 5-1/8	Single CD envelope; B-323-JF
P-01034	5-1/8 x 5	Single CD envelope with window; 0213, B-115, B-308
P-01023	5-3/16 x 5-1/16 x 1/16	Single CD holder with halfmoon pocket; 0155, I-340-JF, B-103, B-304
P-01313	4-7/8 x 4-13/16 x 1/8	Single CD holder with halfmoon pocket; 0428, I-067
I-425-JF	5-1/8 x 5 x 1/8	Single CD holder with halfmoon pocket
P-01942	5-1/2 x 5-1/16 x 3/16	Single CD holder with halfmoon pocket; 0287, B-752-JF
P-01148	5 x 5	Single CD mailer with tuck flap; I-218, 0185, B-020-JF, B-748
0174	5-1/8 x 5-1/8	Single CD mailer with tuck flap; 0174, I-182
P-01085	5-7/8 x 5-7/8 x 1/8	Single CD zip strip with thumb notch; 0388

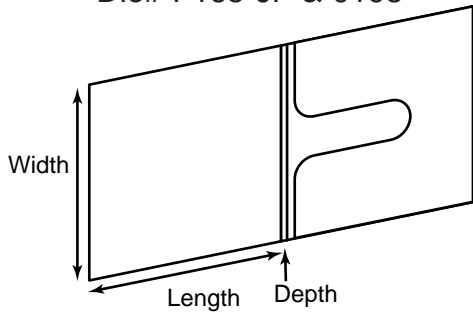
Die# I-157 & 0159



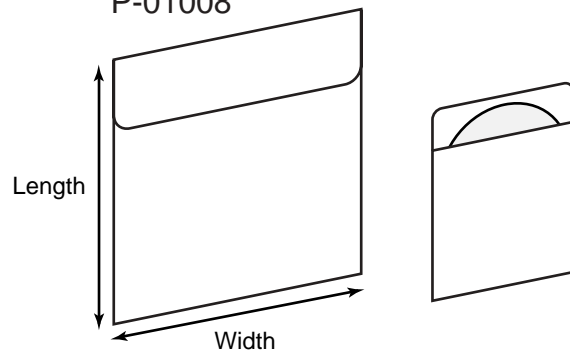
P-01813



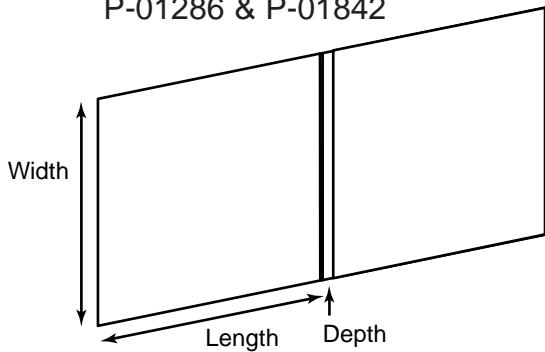
Die# I-165-JF & 0198



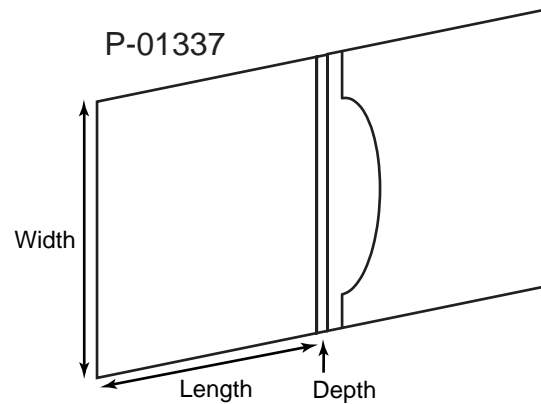
P-01008



P-01286 & P-01842



P-01337

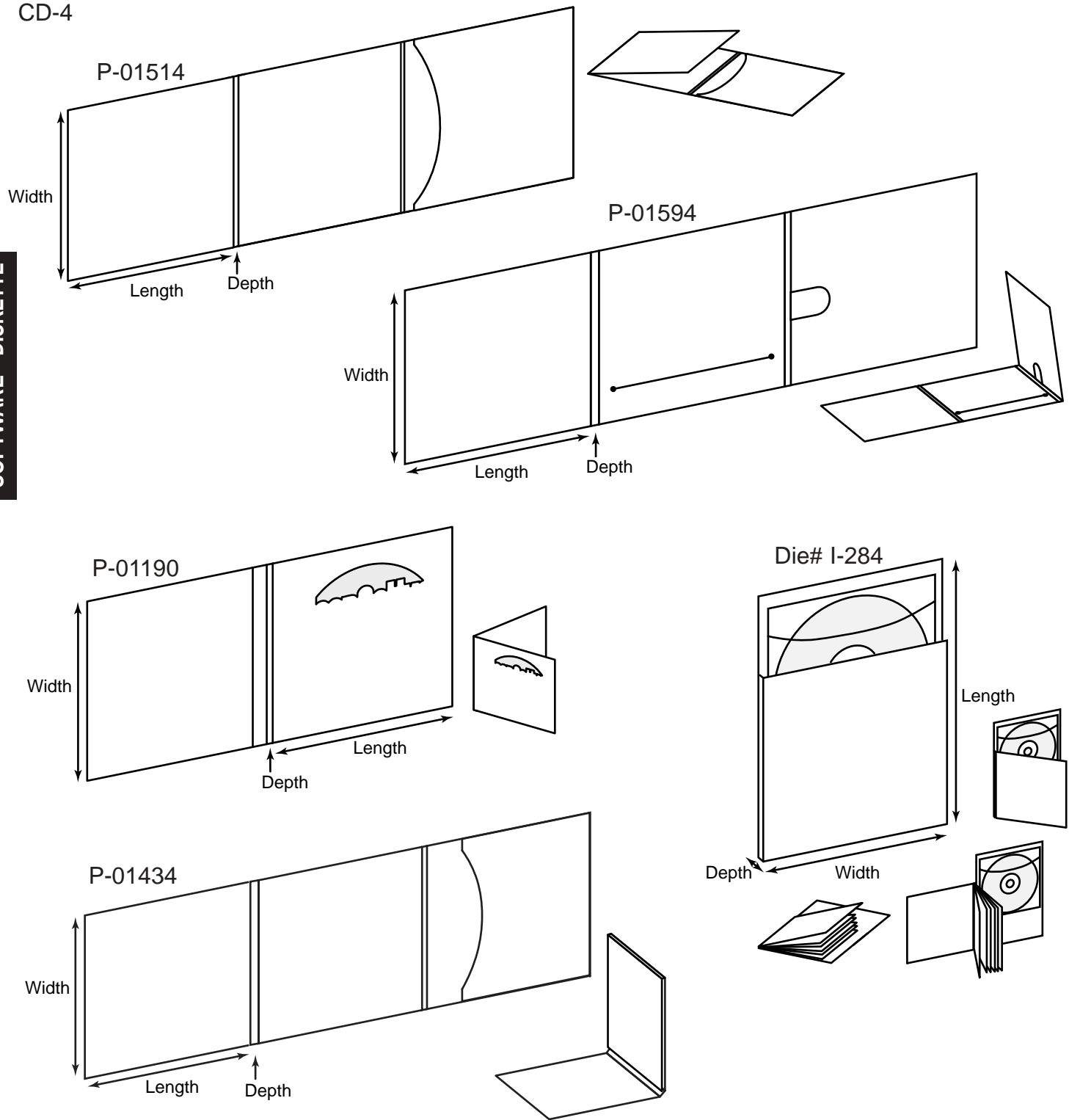


Product Type: CD Holders

Die # Length x Width x Depth Description

Die #	Length x Width x Depth	Description
I-157	5 x 5	CD Jacket with small flap for magazine insert; 0159
P-01813	5-1/8 x 5 x 3/16	Two CD holder with halfmoon pockets; 0210, B-706, I-305
I-165-JF	5 x 4-15/16 x 1/8	Single CD holder with elongated thumb slot; 0198
P-01008	6 x 5-3/4	Single CD mailer; B-098, 0373
P-01286	5-3/16 x 5-1/16 x 1/8	Single CD holder; 0421
P-01842	5-3/16 x 5-1/16 x 1/8	Single CD holder; 0163, I-137-JF
P-01337	5 x 6-1/4 x 1/4	Single CD holder with half moon pocket; B-120

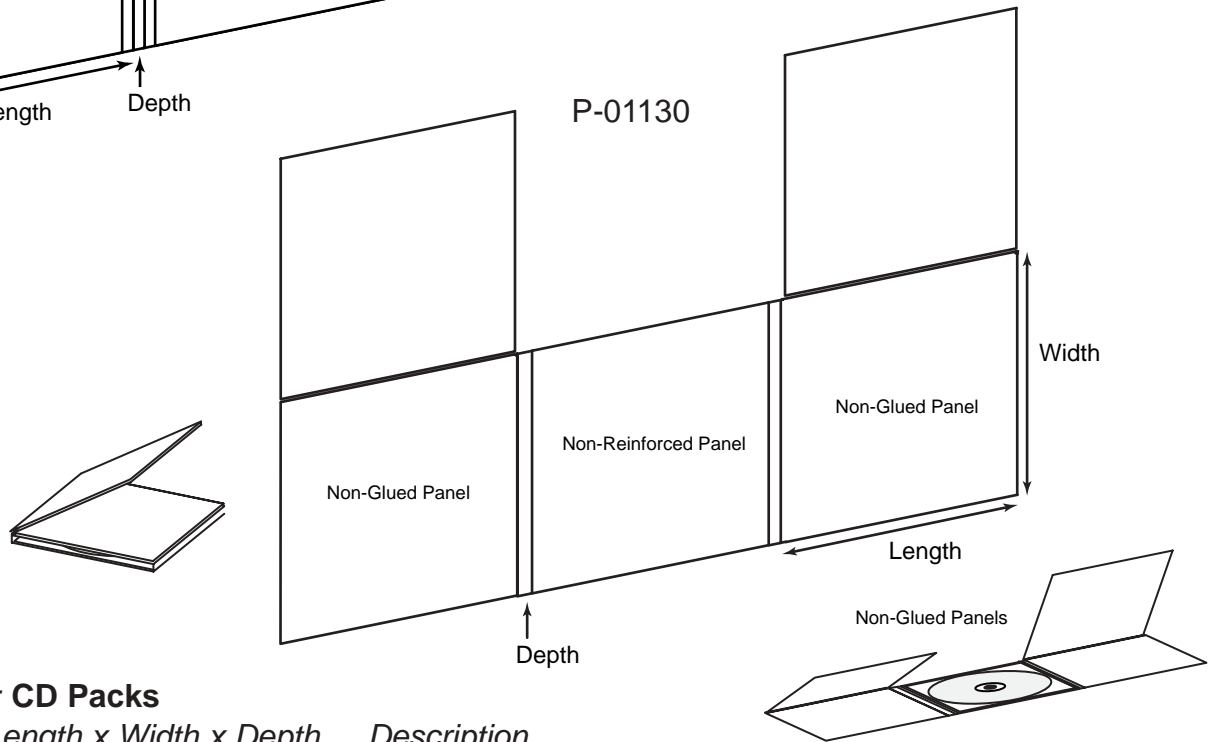
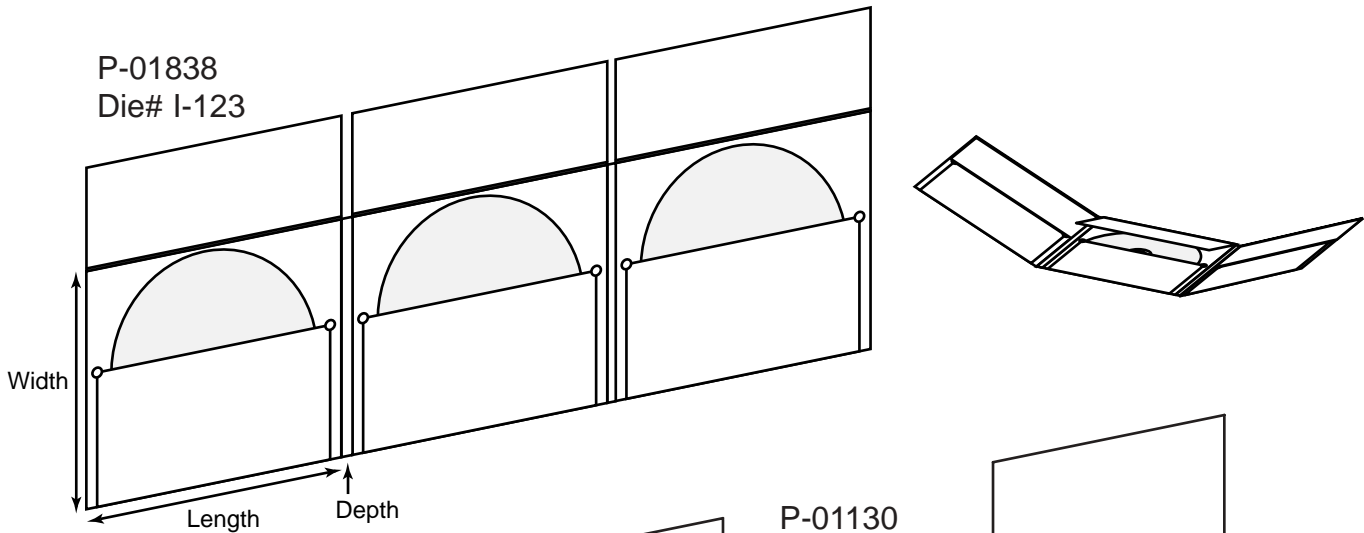
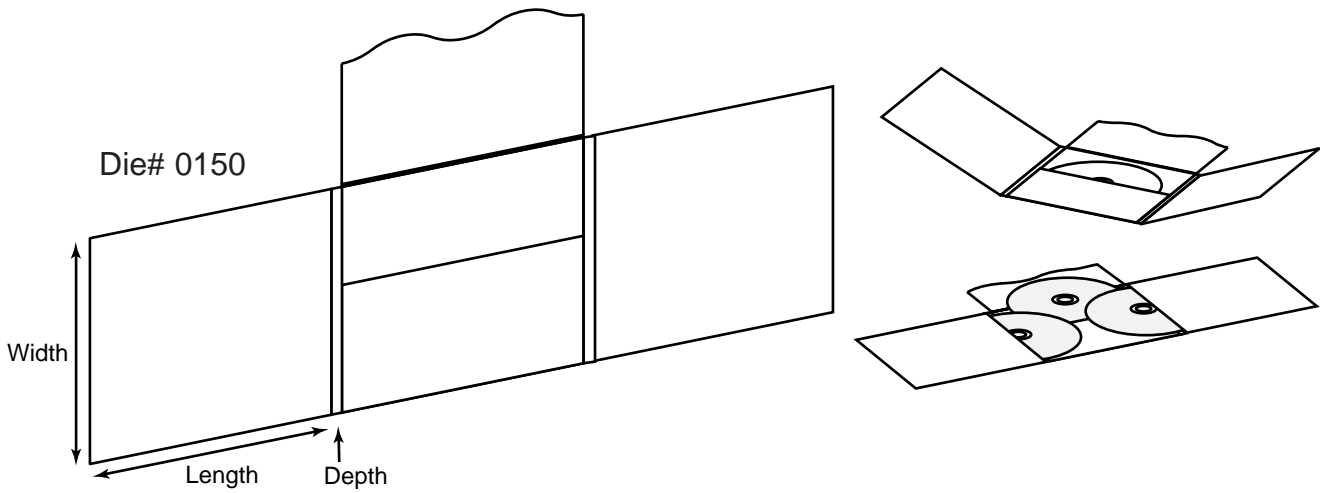
CD-4



Product Type: CD Holders

Die # Length x Width x Depth Description

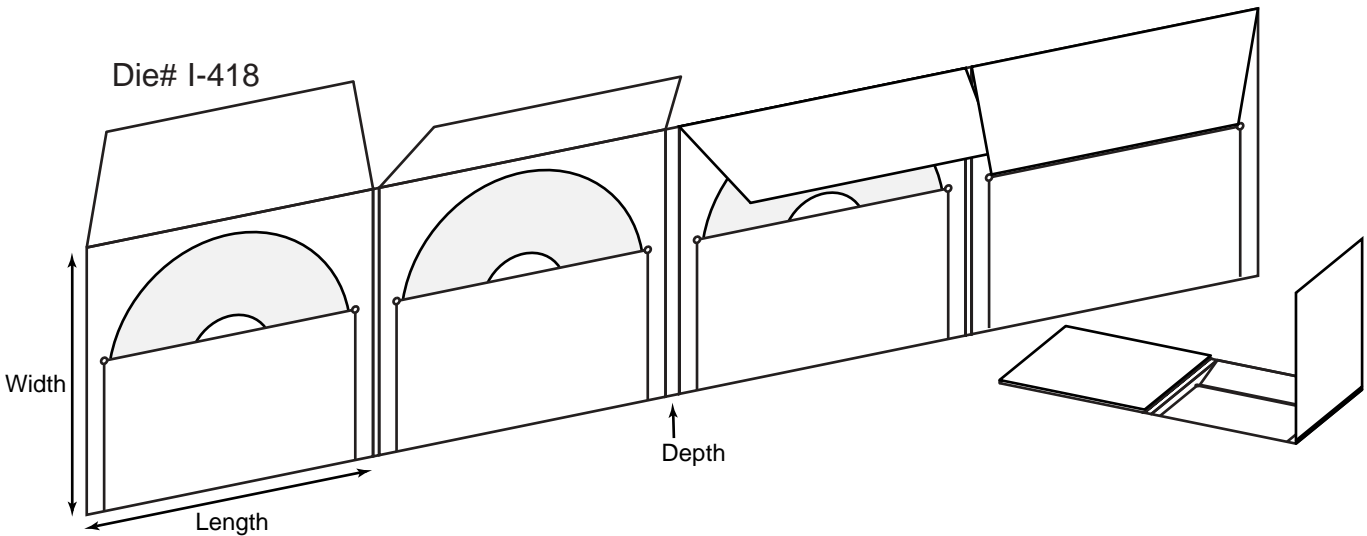
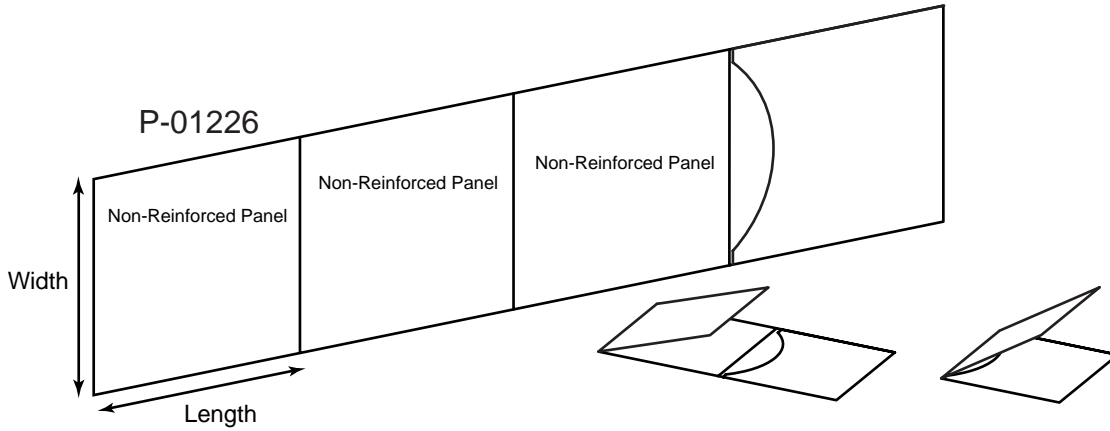
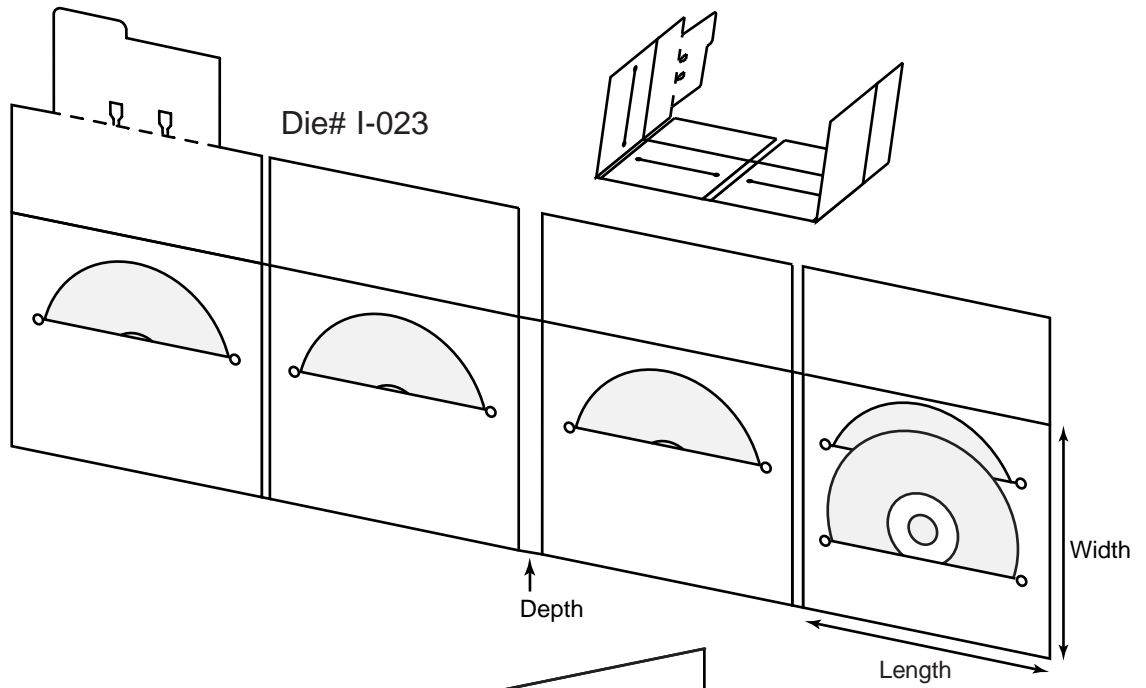
P-01514	5-3/16 x 5 x 3/16	Single CD holder with halfmoon pocket; 0158, I-342, B-495
P-01594	6 x 5-3/8 x 1/4	Single CD holder with literature slot; I-120
P-01190	5-1/2 x 5-5/8 x 3/16	3/16" capacity to hold clear plastic CD sleeve; B-064
I-284	8 x 5-3/4 x 1/4	Single CD holder with clear plastic sleeve for CD; with spine capacity to hold a 12 page booklet
P-01434	5-3/16 x 5 x 3/16	Single CD pack on the end ; B-446-JF



Product Type: CD Packs

Die # Length x Width x Depth Description

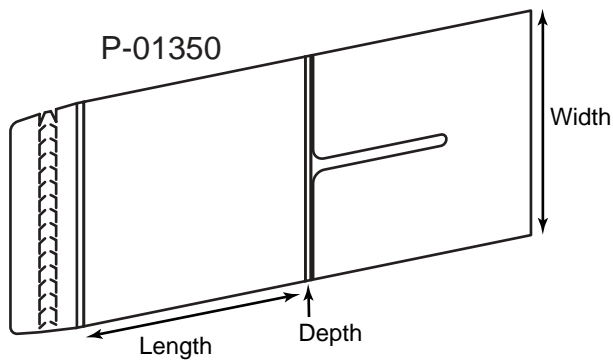
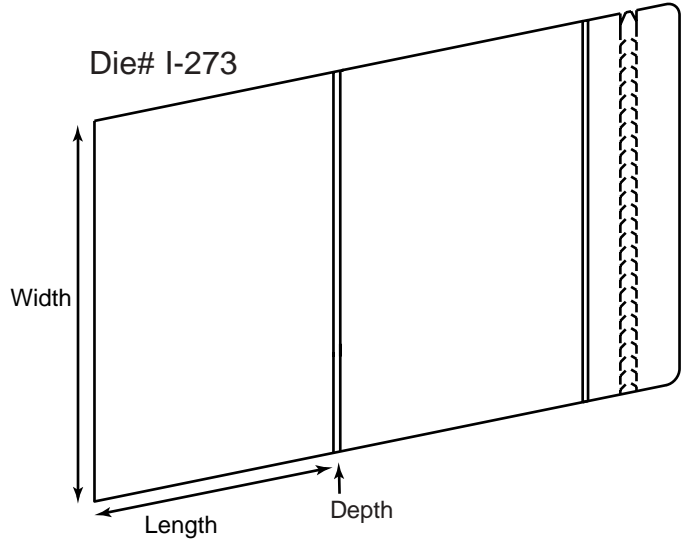
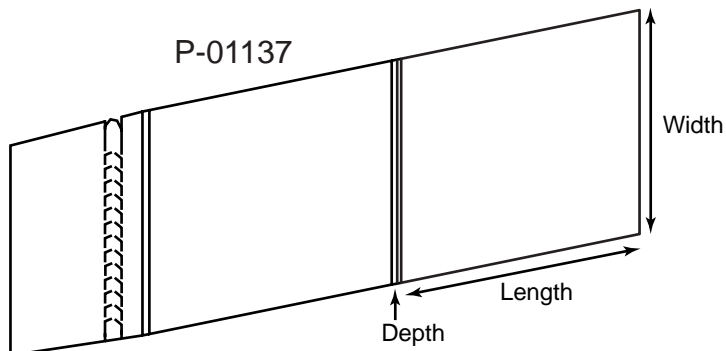
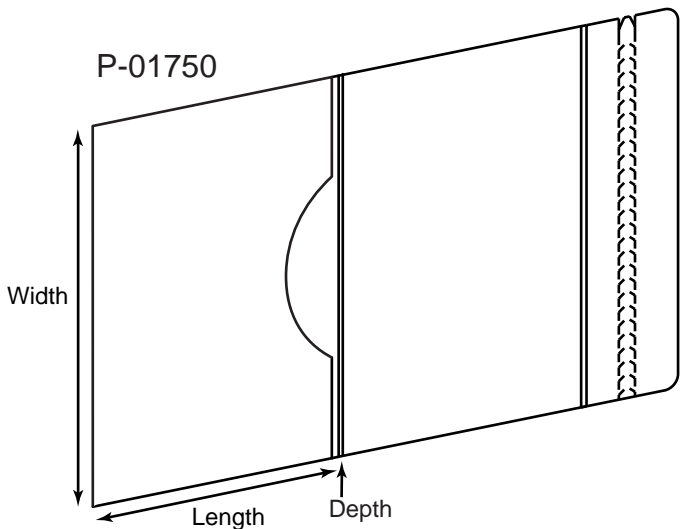
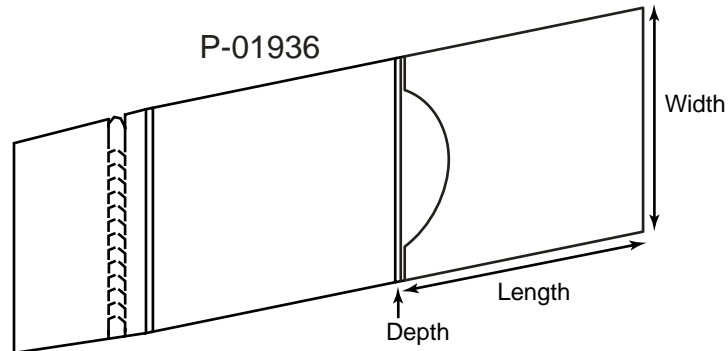
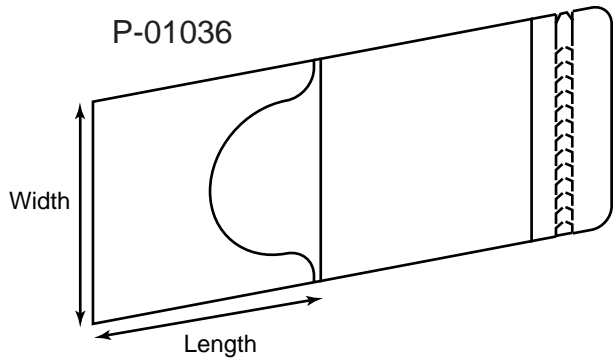
Die #	Length x Width x Depth	Description
0150	5 x 5 x 3/8	CD packet holds two CD's and one book, or three CD's
P-01838	5-15/16 x 5-3/8 x 1/4	Holds three CD's or literature; I-098
I-123	6-1/4 x 6-1/4 x 5/16	Holds three CD's or literature
P-01130	5-1/2 x 5-1/2 x 3/8	Five panel CD holder uses self-adhesive plastic tray; non-glued; B-356-JF



Product Type: CD Pocket Packs

Die # Length x Width x Depth Description

I-023	5-7/8 x 5-1/4 x 13/16	CD holder with roldex card
P-01226	5 x 4-7/8	Single CD holder, three non-reinforced panels; I-102
I-418	5-3/8 x 6 x 5/16	CD pack

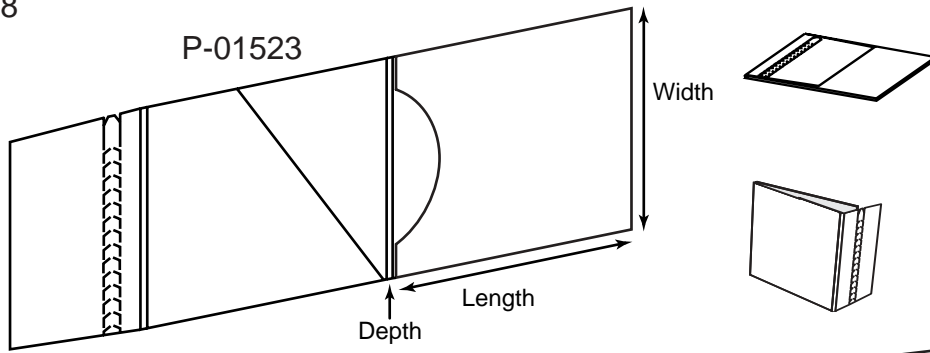


Product Type: CD Zip Mailer's

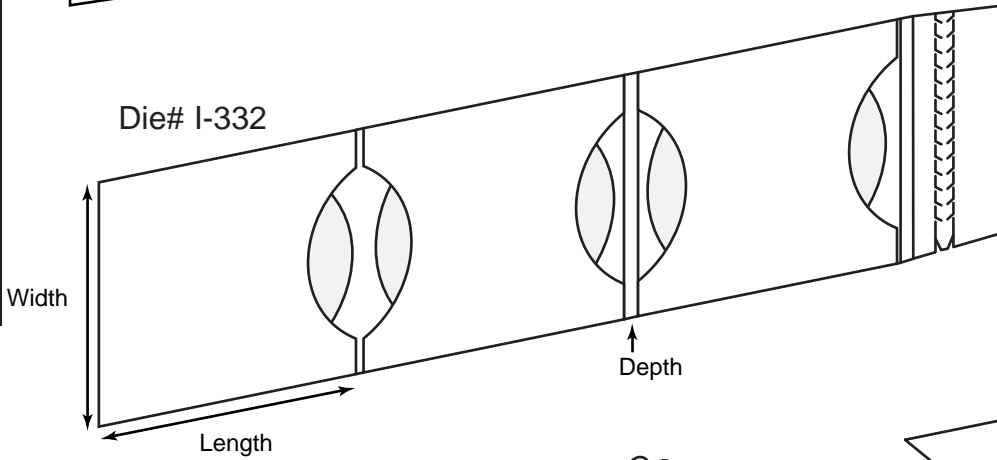
Die # Length x Width x Depth Description

Die #	Length x Width x Depth	Description
P-01036	5 x 5	CD mailer with halfmoon cut; 0381, I-168
P-01936	5-1/2 x 5 x 1/8	CD mailer ; 0186, I-223-JF, B-336
P-01750	5-5/8 x 8-5/8 x 1/16	CD mailer; I-194
P-01137	5-1/2 x 5 x 1/8	CD mailer; B-362-JF
I-273	5-5/8 x 8-5/8 x 1/16	CD mailer
P-01350	5 x 5 x 1/8	CD mailer with slot at middle inside right panel; B-131-JF

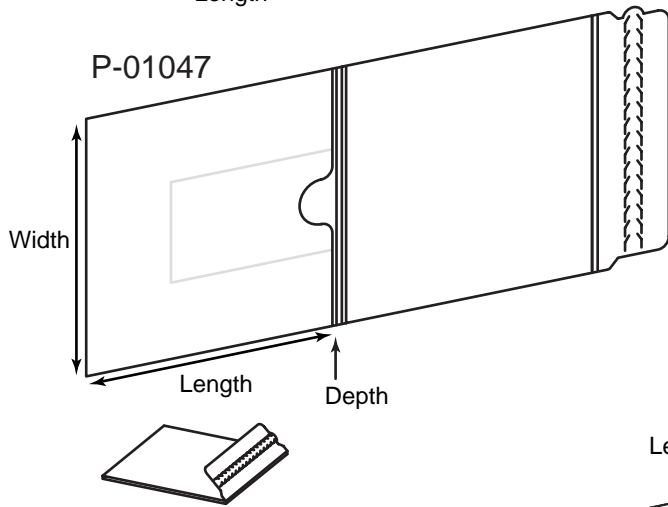
CD-8



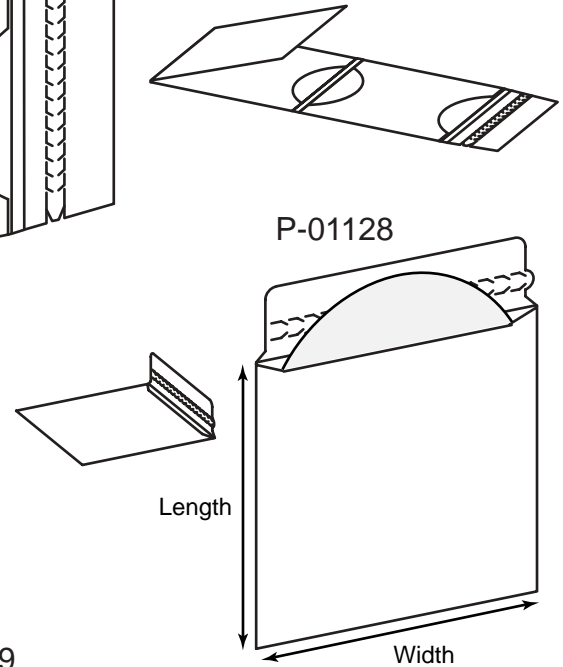
Die# I-332



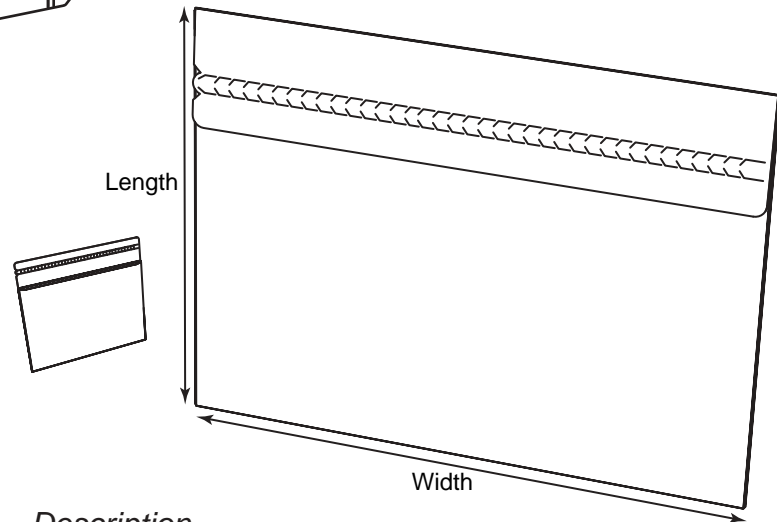
P-01047



P-01128



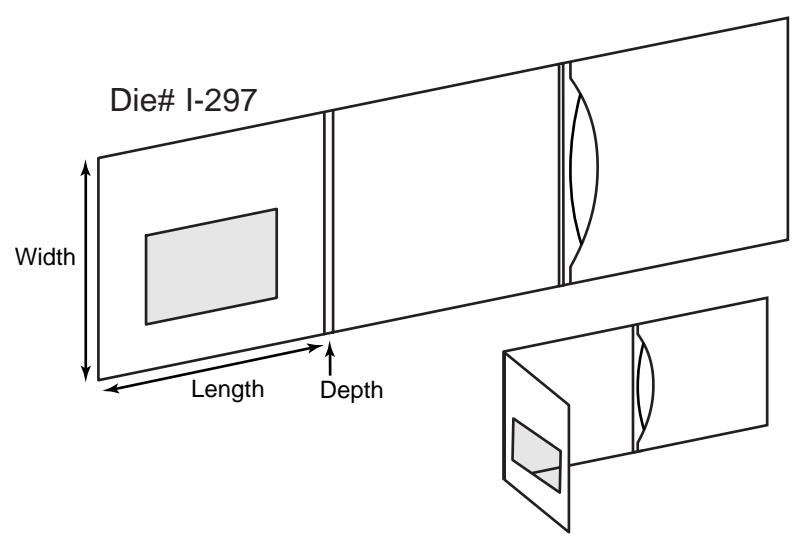
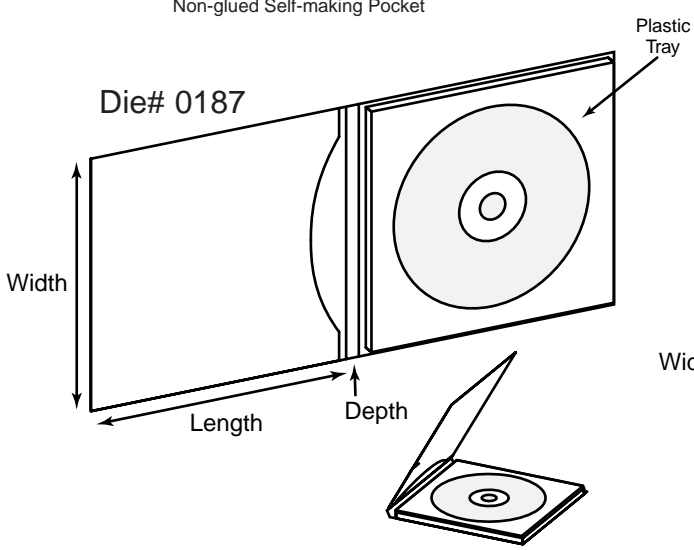
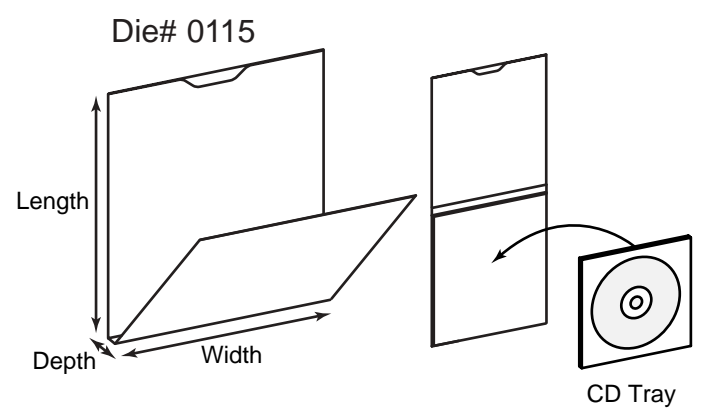
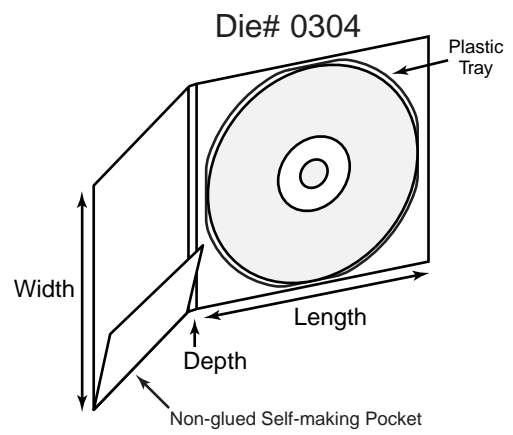
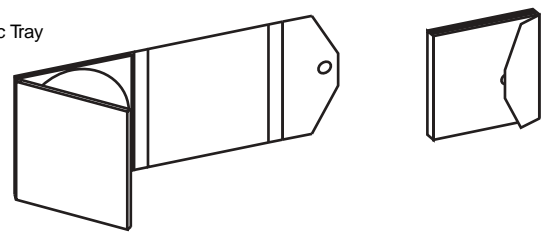
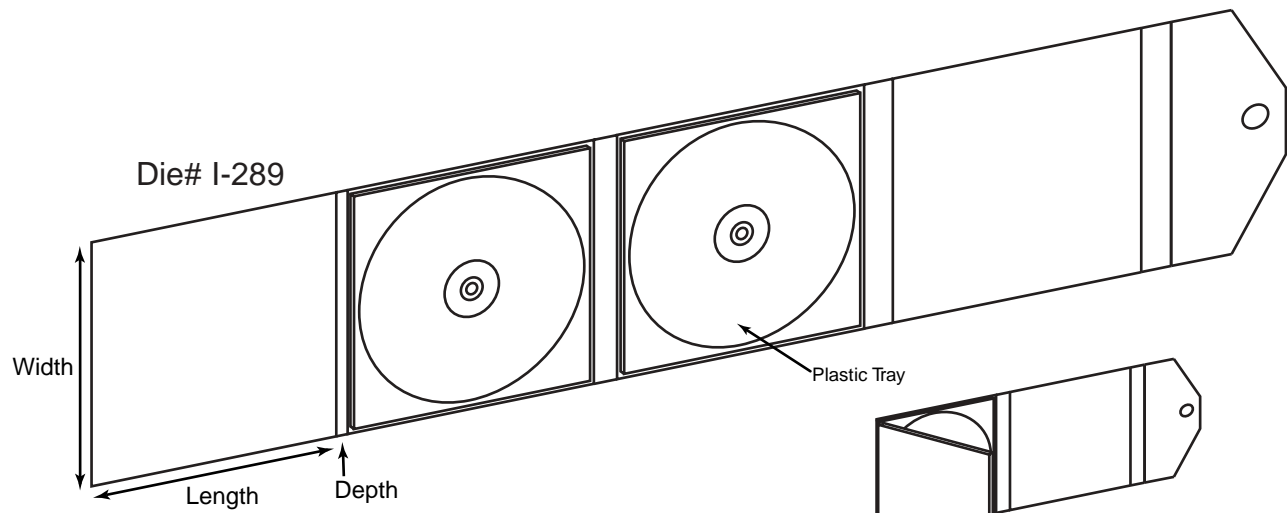
P-01449



Product Type: **CD Zip Strip Mailer's**

Die # Length x Width x Depth Description

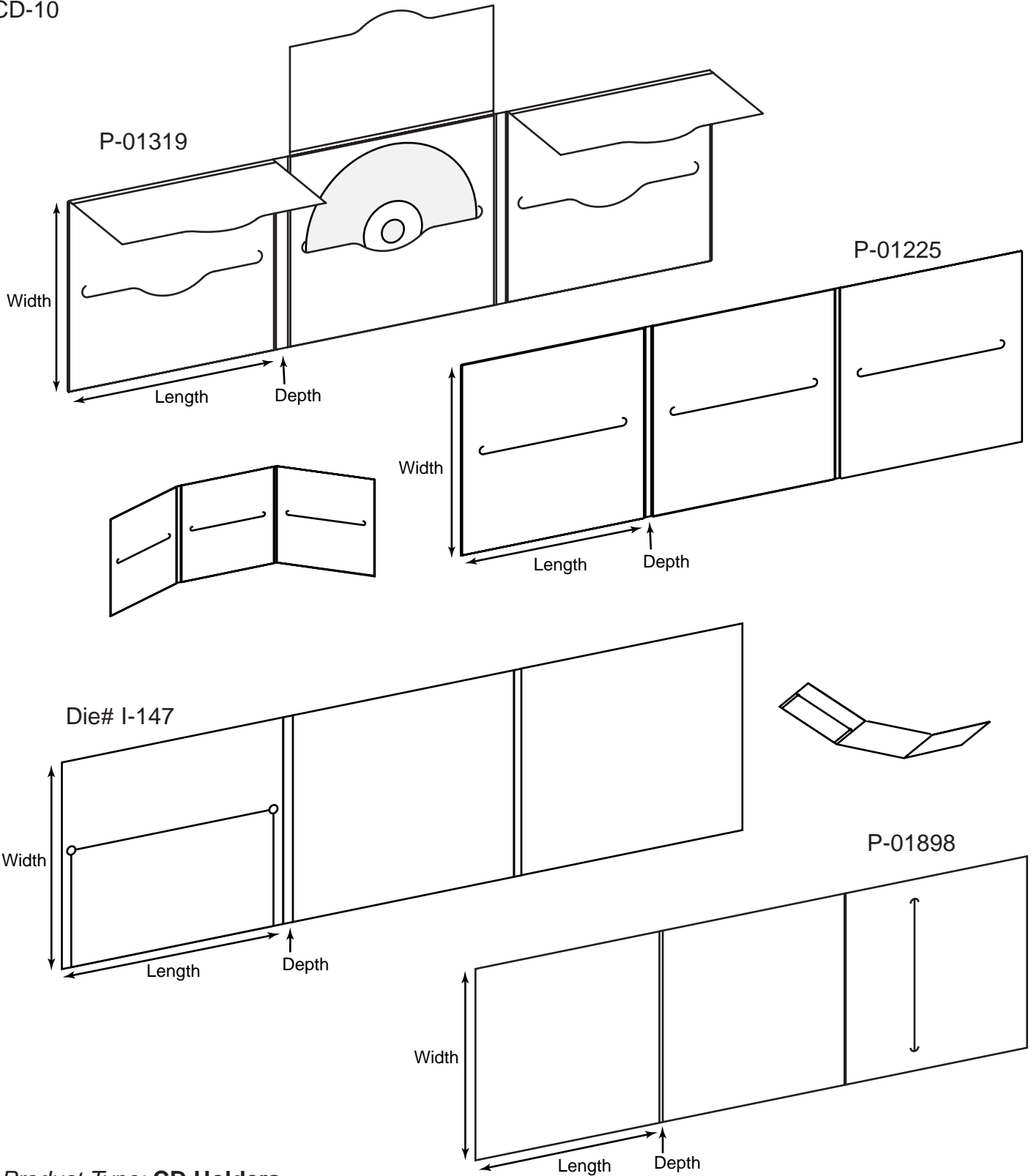
P-01523	5 x 5 x 1/16	Mailer holds one CD with slide through booklet pocket on left; 0501, B-671, I-244-JF
I-332	5-1/2 x 5 x 1/4	CD mailer holds three CD's
P-01047	5-3/4 x 5-3/4 x 1/8	Mailer holds one CD and business card; B-318
P-01128	6-1/2 x 6-1/2	Mailer holds one CD; 0534, B-354
P-01449	9 x 12	CD mailer envelope; 0480



Product Type: CD Packs and Holders

Die # Length x Width x Depth Description

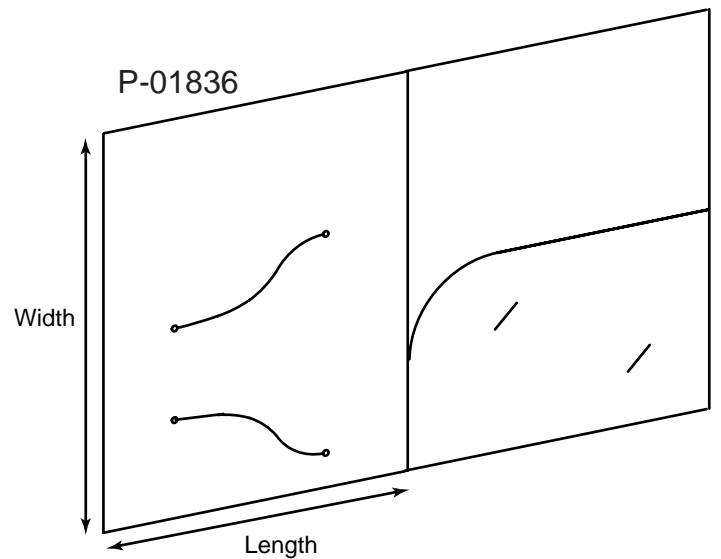
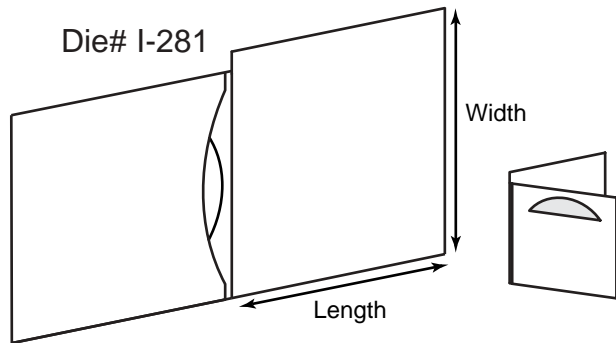
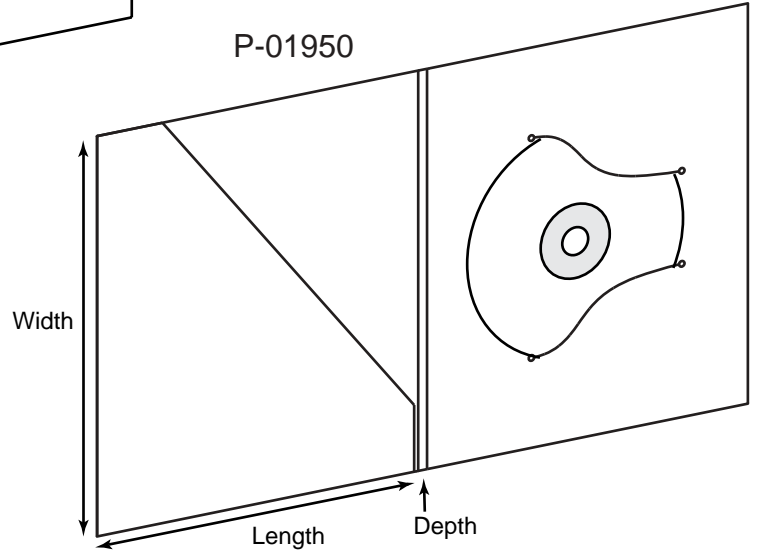
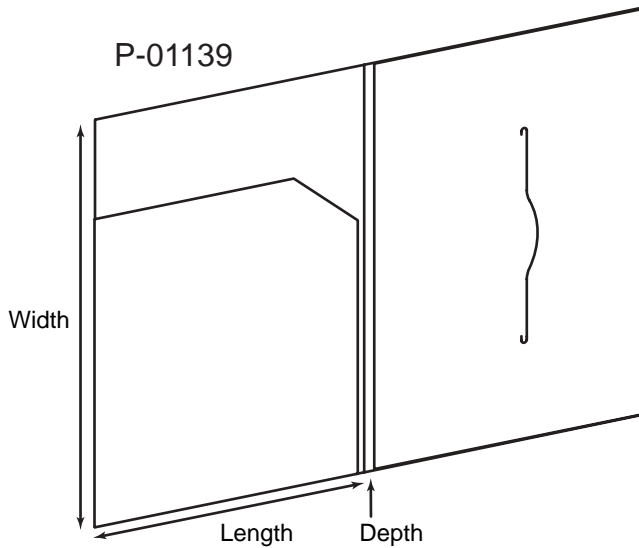
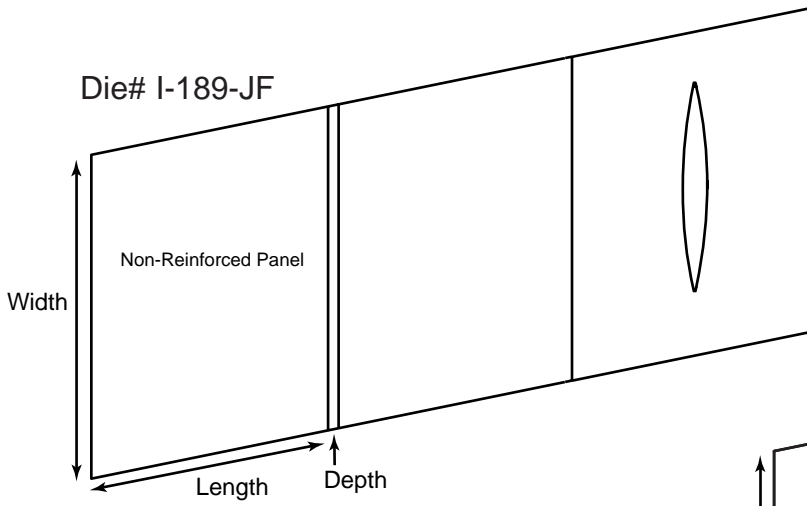
Die #	Length x Width x Depth	Description
I-289	5-3/4 x 5-1/2 x 11/16	CD pack with Velcro closure holds two CD's in plastic trays
0304	5-1/2 x 5 x 5/16	CD pack with non-glued pocket holds one CD in plastic tray
0115	5-1/2 x 4-15/16 x 5/16	CD Pack with single CD tray and open pocket on other side
0187	5-11/16 x 5-9/16 x 5/16	CD pack with halfmoon pocket and plastic single CD tray
I-297	5-3/16 x 5 x 3/16	Three panel single CD holder with window in front panel



Product Type: CD Holders

Die # Length x Width x Depth Description

Die #	Length x Width x Depth	Description
P-01319	5-1/2 x 4-15/16 x 5/16	Three panel CD holder with flaps on each panel; B-402
P-01225	6-1/8 x 6-1/4 x 3/16	Three panel CD holder; 0410
I-147	6-3/8 x 6-5/16 x 1/8	Three panel single CD holder
P-01898	6 x 5-7/8 x 1/8	Three panel single CD holder; I-325

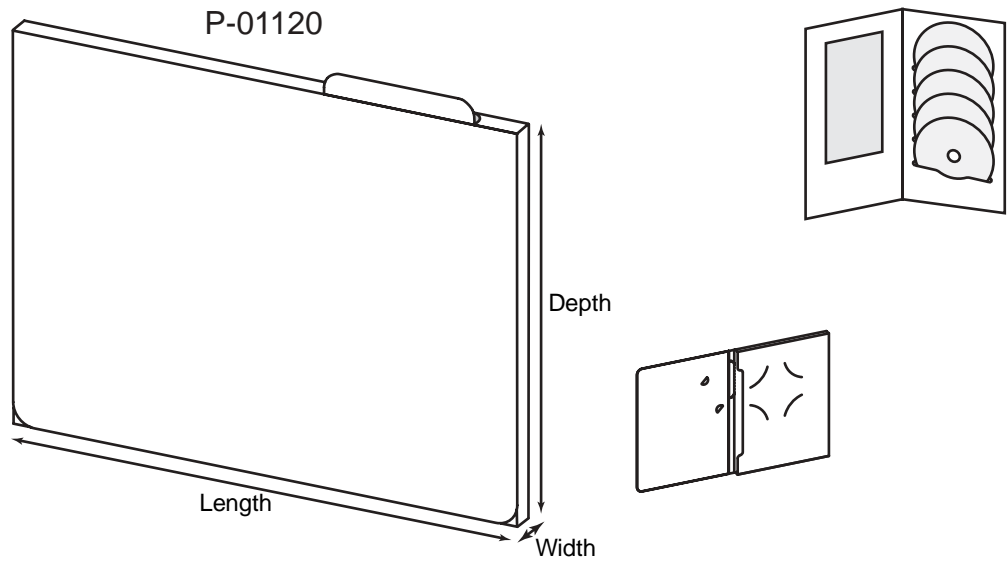
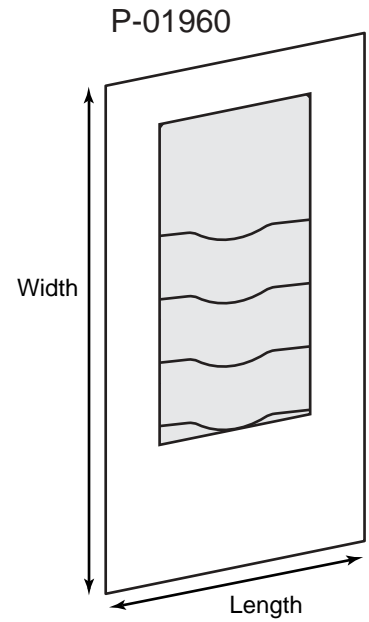
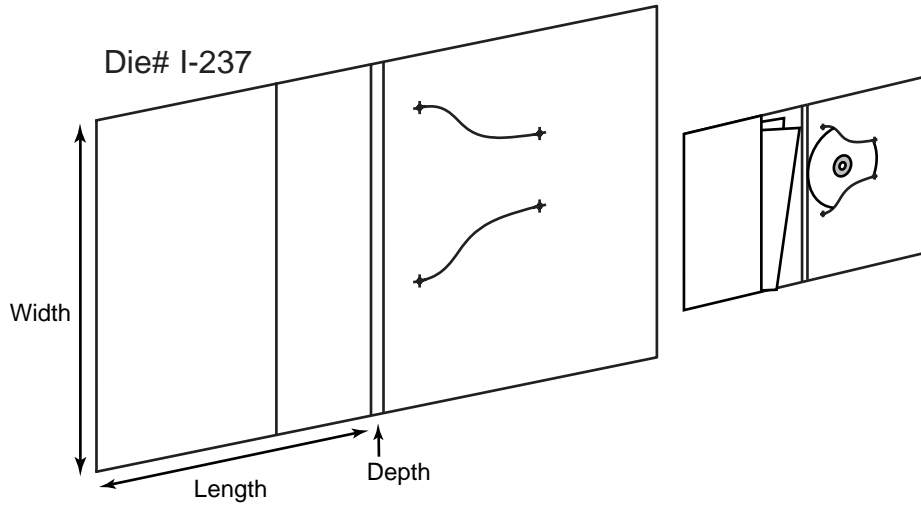
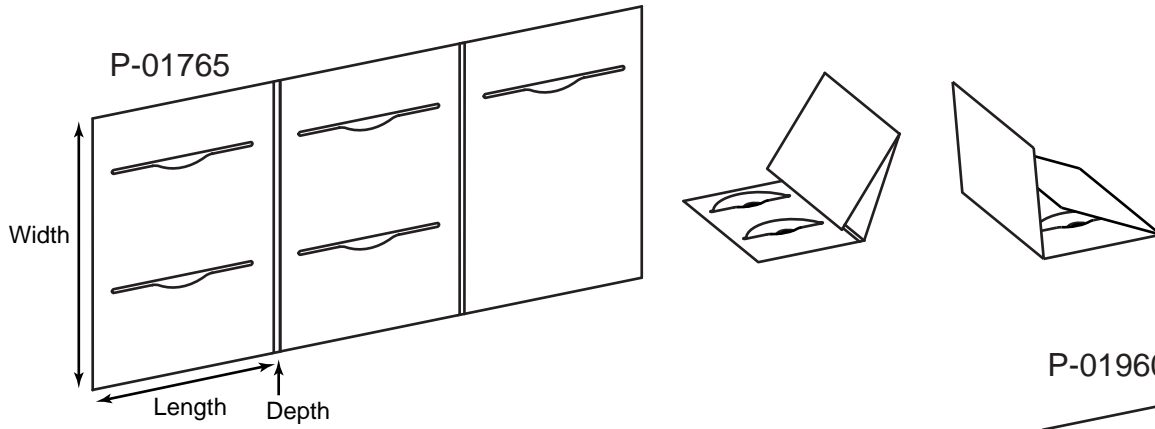


CD/DVD ROM • SOFTWARE • DISKETTE

Product Type: CD Holders

Die # **Length x Width x Depth** **Description**

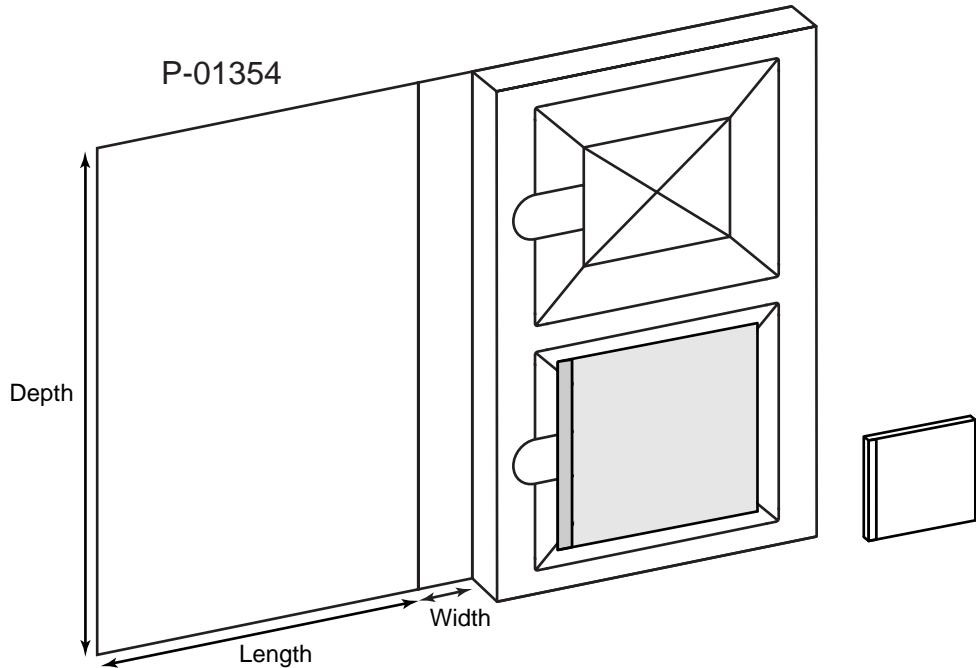
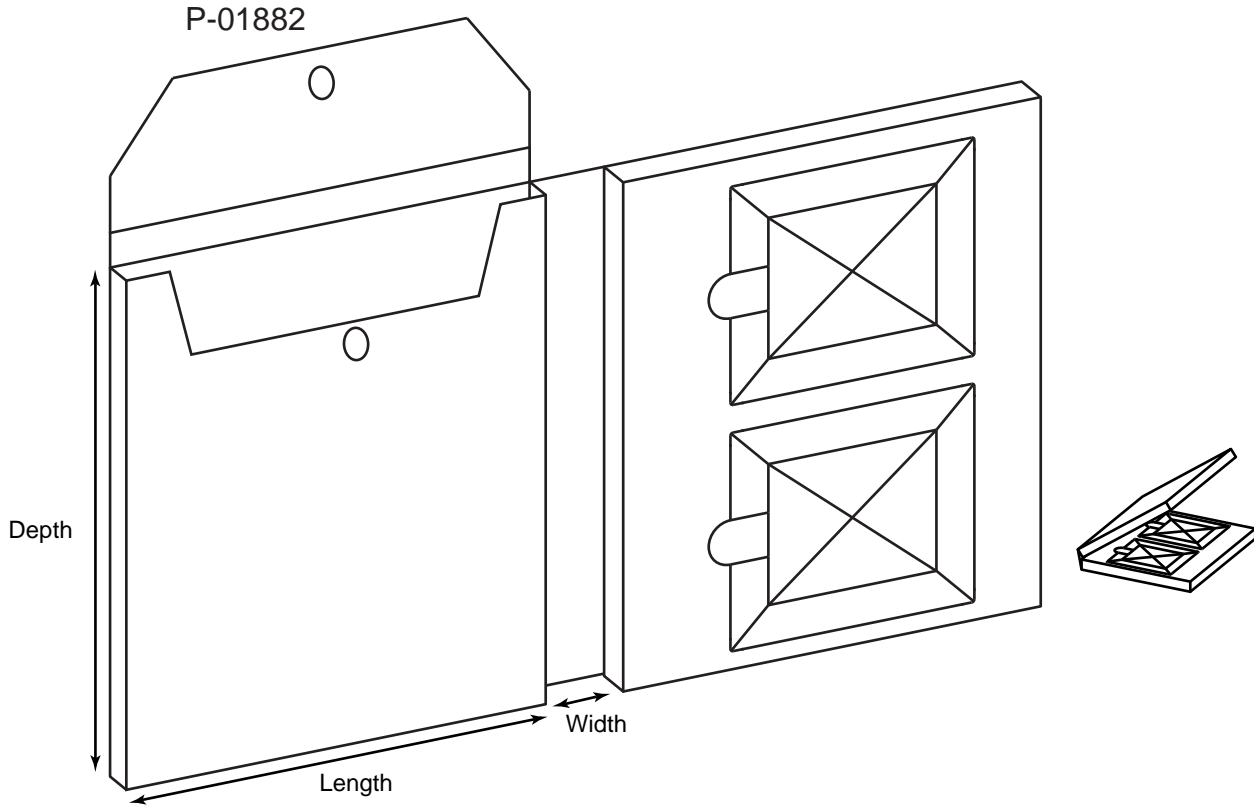
Die #	Length x Width x Depth	Description
I-189-JF	5-1/2 x 7-3/8 x 3/16	Single CD holder with a non-reinforced panel
P-01950	7-3/8 x 9 x 3/8	Pocket folder style CD pack; I-188
P-01139	6-1/4 x 9-1/4 x 3/16	CD pack with literature pocket; B-363
I-281	5 x 5-1/2	CD pack with half-moon front window, pocket and extended panel for magazine binding
P-01836	7 x 9	CD pocket folder, has two literature pockets; B-688, I-274-JF



Product Type: CD Packs

Die # Length x Width x Depth Description

Die #	Length x Width x Depth	Description
P-01765	9 x 6-1/8 x 3/16	Three panel CD pack with five CD slots; I-287
I-237	10 x 8 x 3/8	Two pockets for literature (one 10" x 8"; one 10" x 5-3/8") and slits for one CD
P-01960	6 x 11-1/2	Three panel five CD pack; 0631, B-810-JF
P-01120	9 x 11-3/4 x 9/16	Single CD pack with 1/2" capacity pocket, tab on spine and optional business card slits; B-352

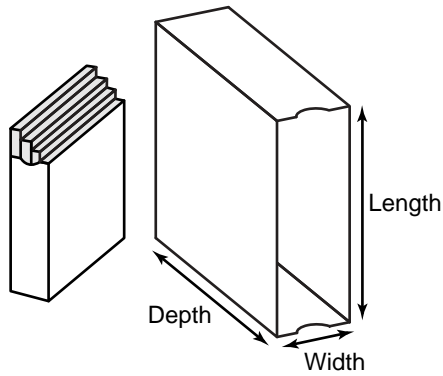


Product Type: CD Presentation Packs

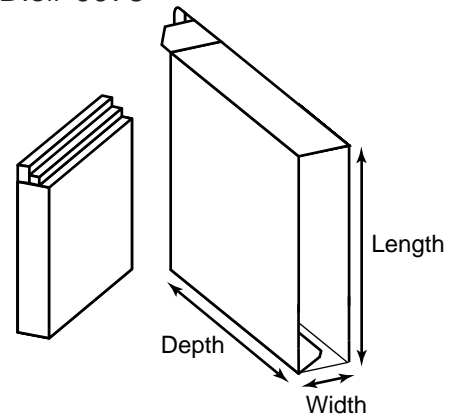
Die # Length x Width x Depth Description

P-01882	9-5/8 x 1-3/4 x 11-1/2	Holds four CD jewel cases; capacity pocket with velcro closure on left; I-227
P-01354	7-3/8 x 1-1/4 x 11-1/2	Holds two CD jewel cases; B-135

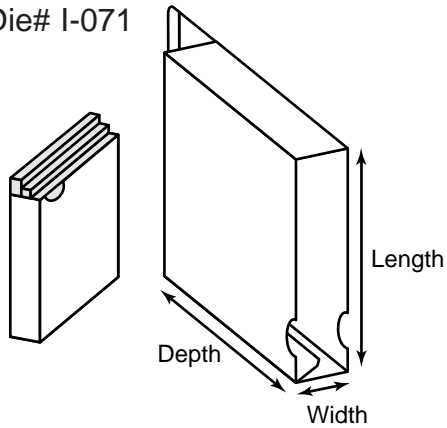
Die# 0356



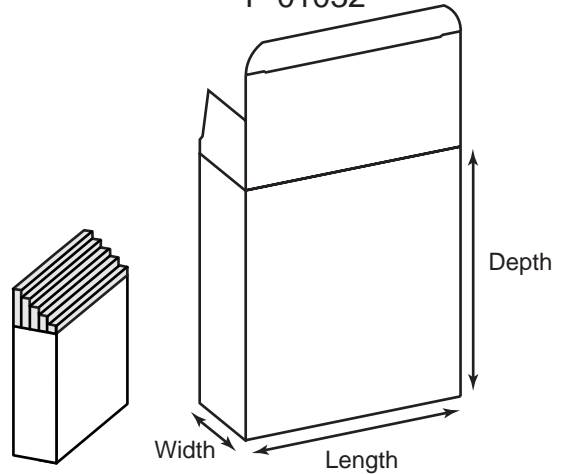
Die# 0078



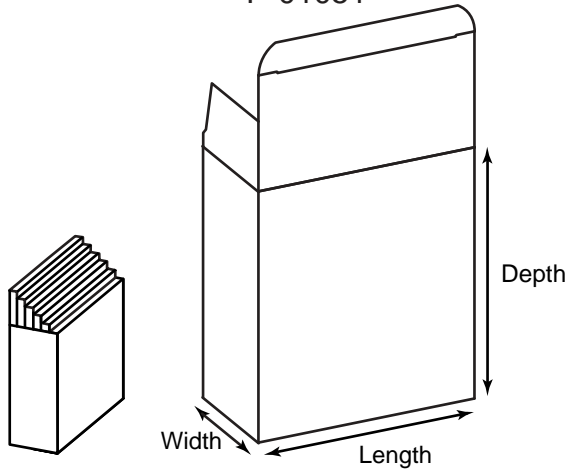
Die# I-071



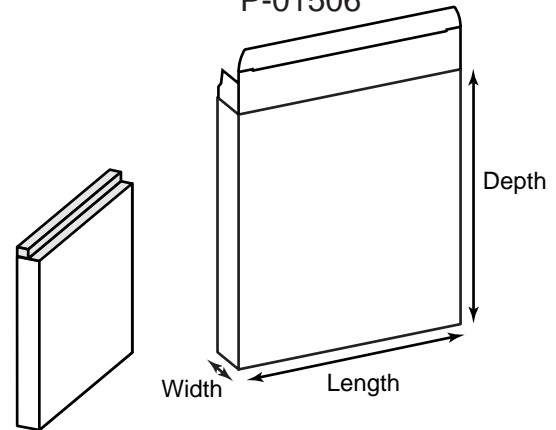
P-01032



P-01051



P-01506



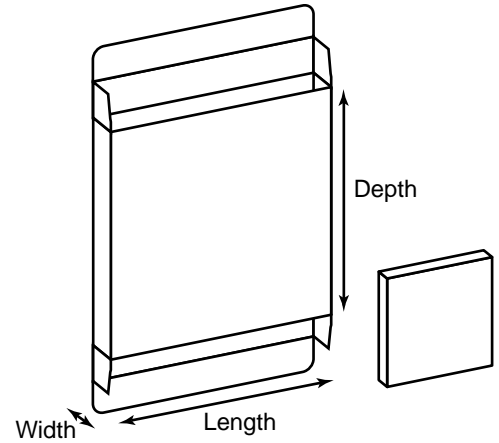
Product Type: CD Packs and CD Mailer

Die # Length x Width x Depth Description

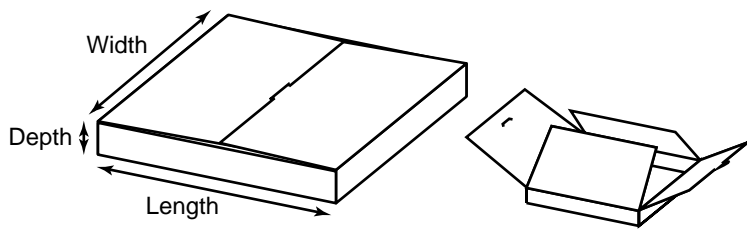
Die #	Length x Width x Depth	Description
0356	4-15/16 x 1-11/16 x 5-11/16	Single tuck slip case holds four CD jewel cases
0078	4-15/16 x 1-5/16 x 5-11/16	Single tuck slip case holds three CD jewel cases
I-071	5 x 1-5/16 x 5-5/8	Single tuck slip case holds three CD jewel cases
P-01032	4-15/16 x 2-1/8 x 5-5/8	Single tuck slip case holds five CD jewel cases; 0379
P-01051	4-15/16 x 2-9/16 x 5-5/8	Single tuck slip case holds six CD jewel cases; 0385
P-01506	5 x 15/16 x 5-5/8	Single tuck slip case holds two CD jewel cases; 0497, I-035

Die# 0089

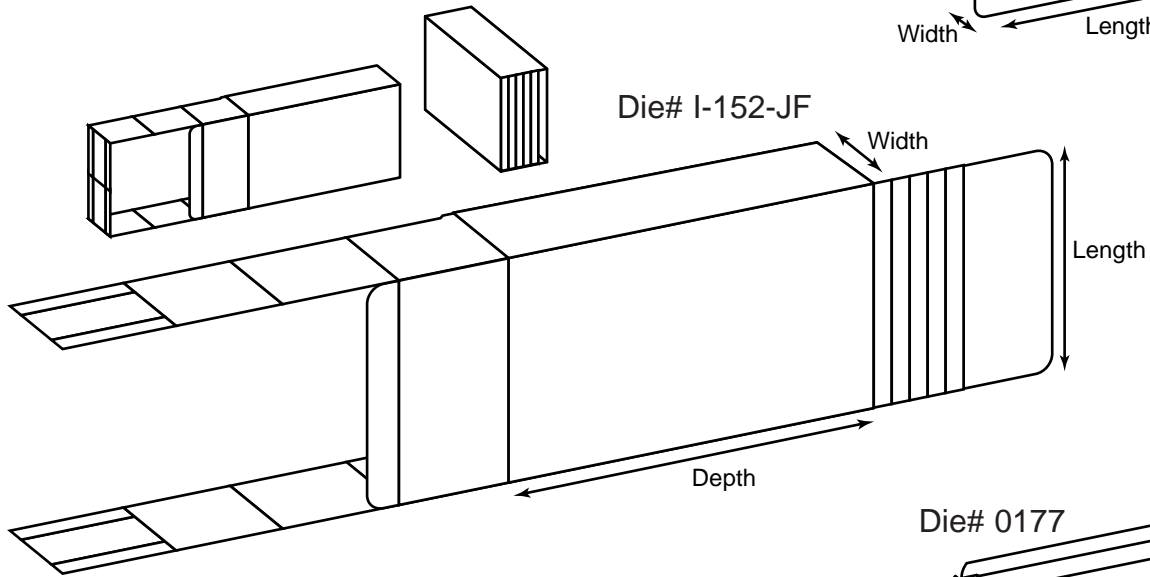
CD-15



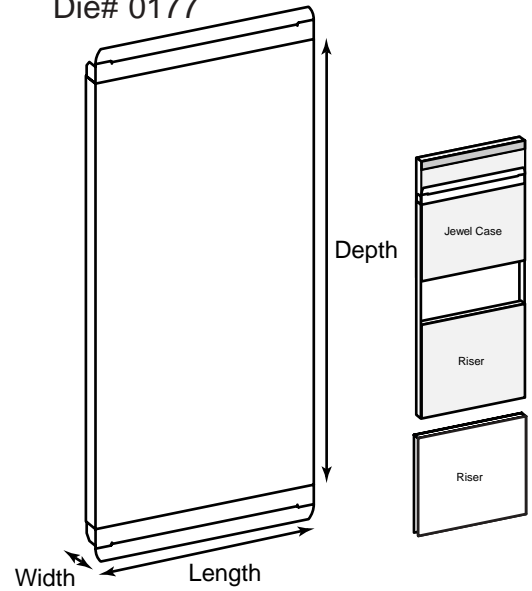
Die# 0091



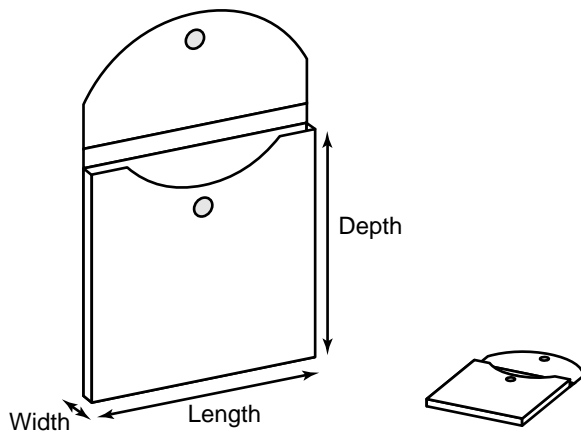
Die# I-152-JF



Die# 0177



Die# 0156



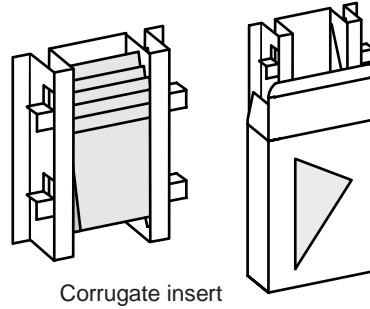
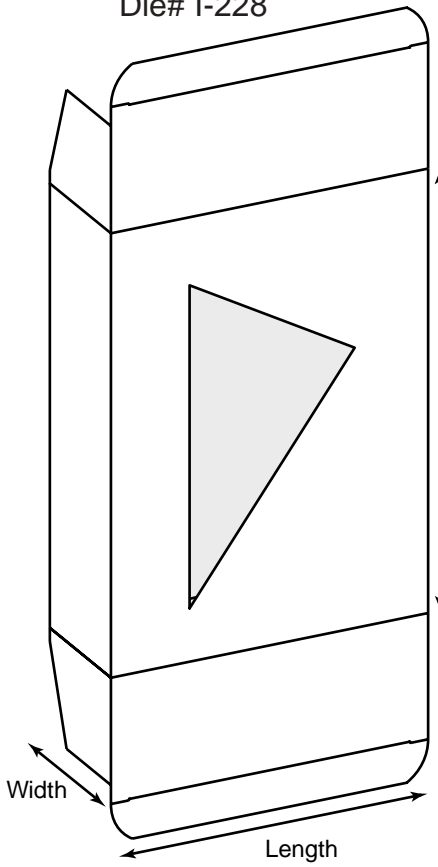
Product Type: CD Jewel Case Holders

Die # Length x Width x Depth Description

Die #	Length x Width x Depth	Description
0091	6 x 5-1/2 x 3/4	Locking tab holder holds two CD jewel cases; four flaps
0089	5-1/16 x 13/16 x 5-1/8	Double tuck box to hold five CD's in single CD envelopes
I-152-JF	5 x 2-1/2 x 8-1/4	Variable quantity CD pack; holds six CD jewel cases
0156	5-1/8 x 3/8 x 5-1/8	CD portfolio holder holds up to six CD's in tea bags
0177	5 x 7/16 x 10	Double tuck single CD jewel case holder with insert riser

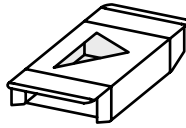
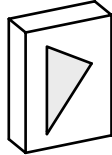
CD-16

Die# I-228

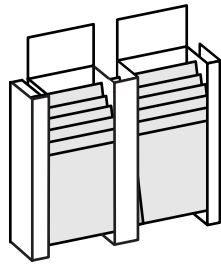
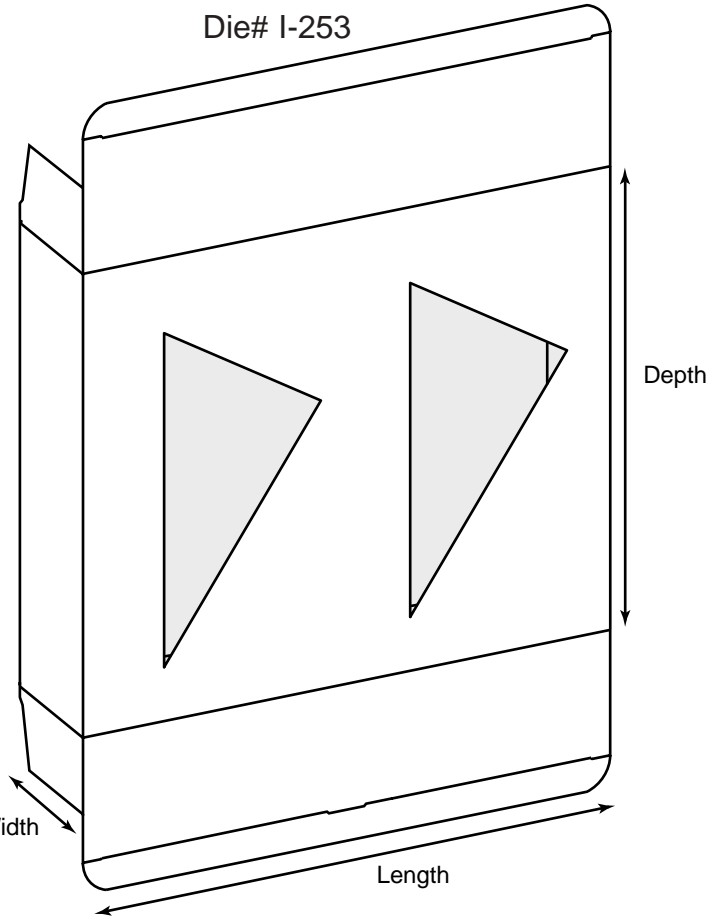


Corrugate insert

Depth



Die# I-253



Corrugate insert

Width

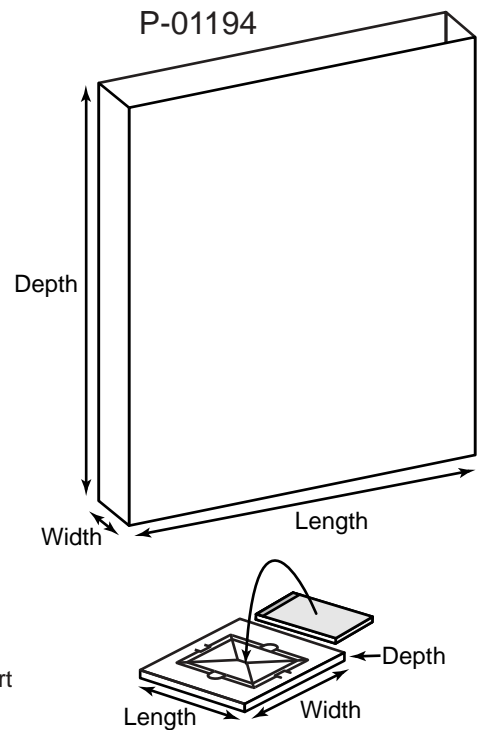
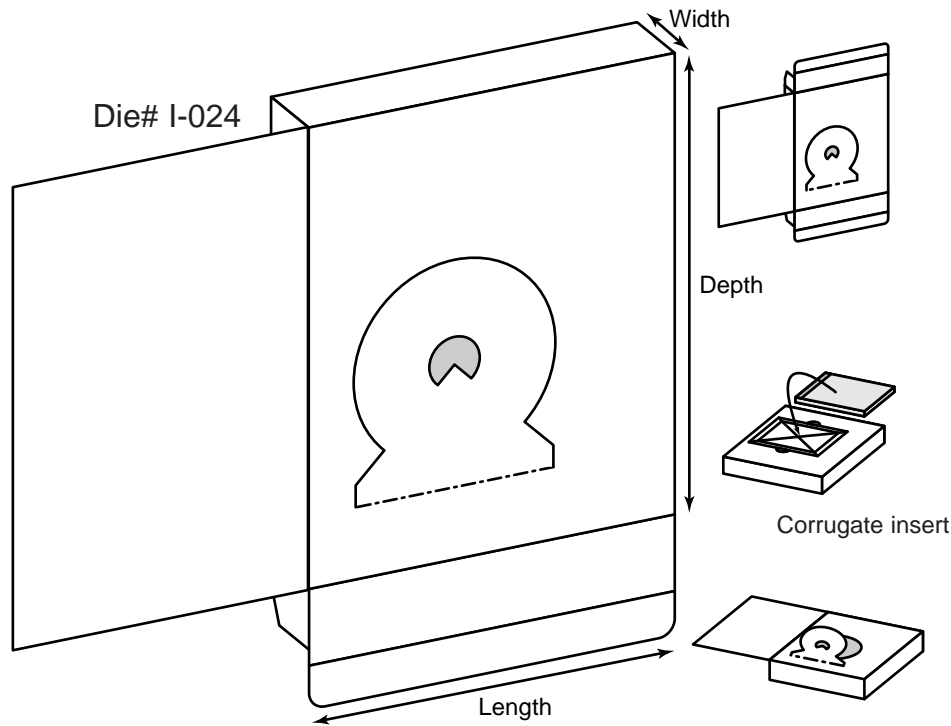
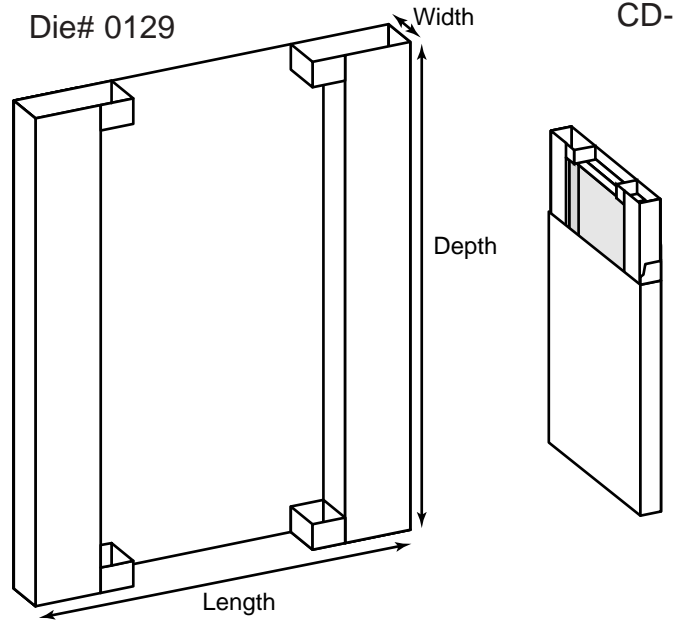
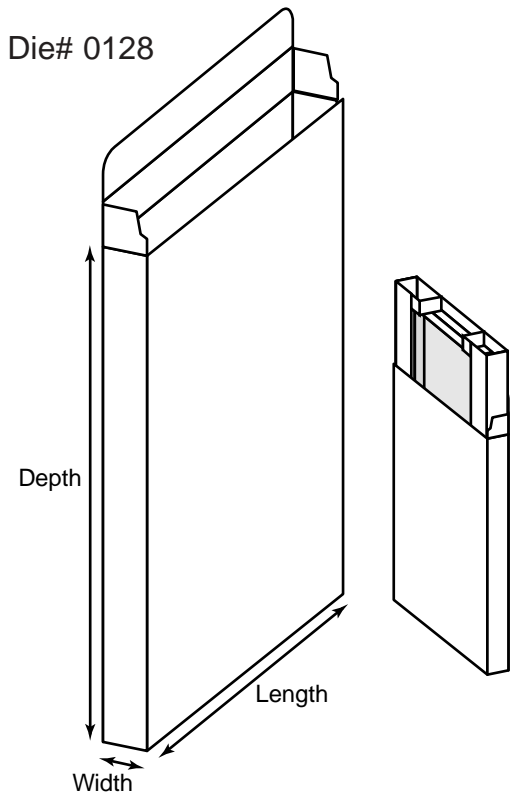
Length

Product Type: Double Tuck Boxes and Corrugate CD Jewel Case Inserts

Die # Length x Width x Depth Description

I-228	7-9/16 x 3 x 10-7/16	Double tuck with triangular die cut window; corrugate insert holds six CD jewel cases
I-253	12-3/16 x 3 x 10-1/2	Double tuck with two triangular die cut windows; corrugate insert holds twelve CD jewel cases

CD/DVD ROM • SOFTWARE • DISKETTE



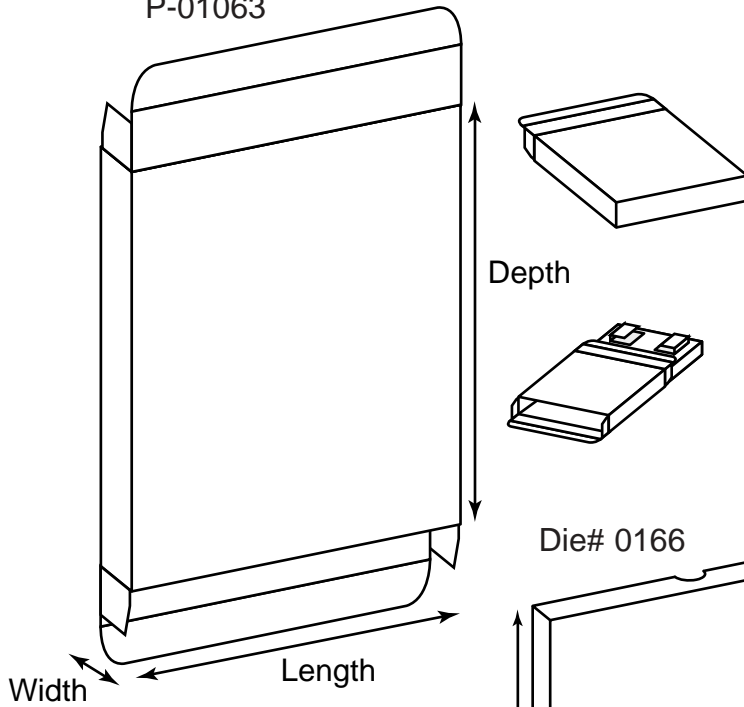
Product Type: Double Tuck Boxes & CD Jewel Case Inserts

Die # Length x Width x Depth Description

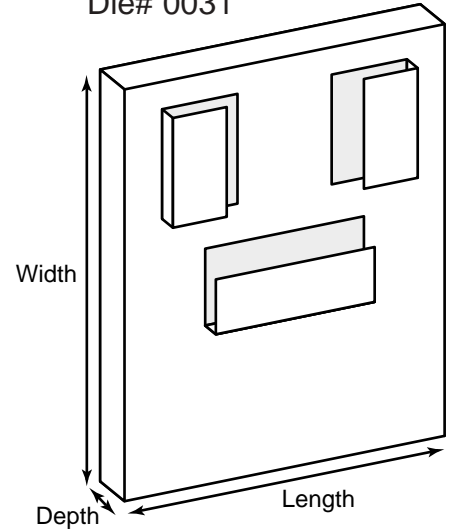
0128	8-3/4 x 1 x 11-1/4	Double tuck product box
0129	8-5/8 x 15/16 x 11	Four CD jewel case paperboard insert for 0128
I-024	8-1/2 x 1-3/4 x 10-1/2	Six panel double tuck product box with die cut flapped window; corrugate insert holds one CD jewel case
P-01194	8-1/16 x 1-7/16 x 9-1/2	Product wrap with 9-3/16" x 7-5/8" x 1/2" CD tray; B-069

CD-18

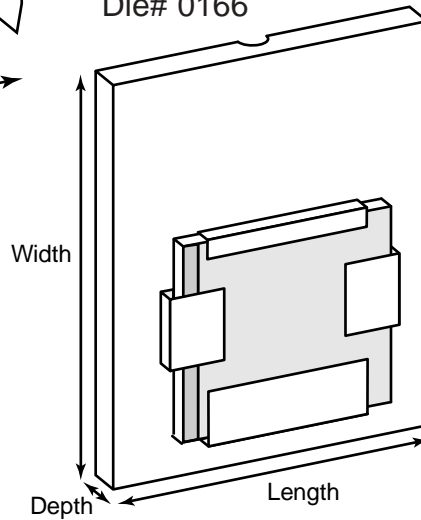
P-01063



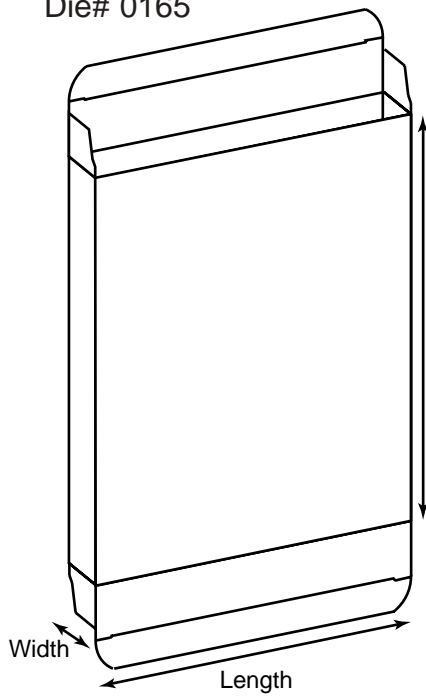
Die# 0031



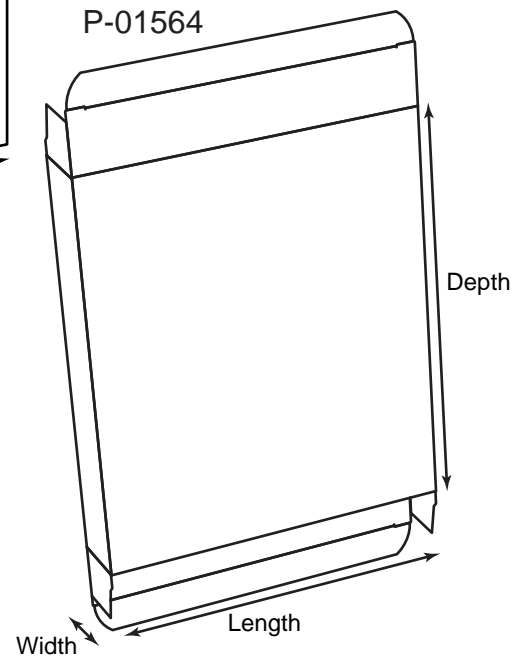
Die# 0166



Die# 0165



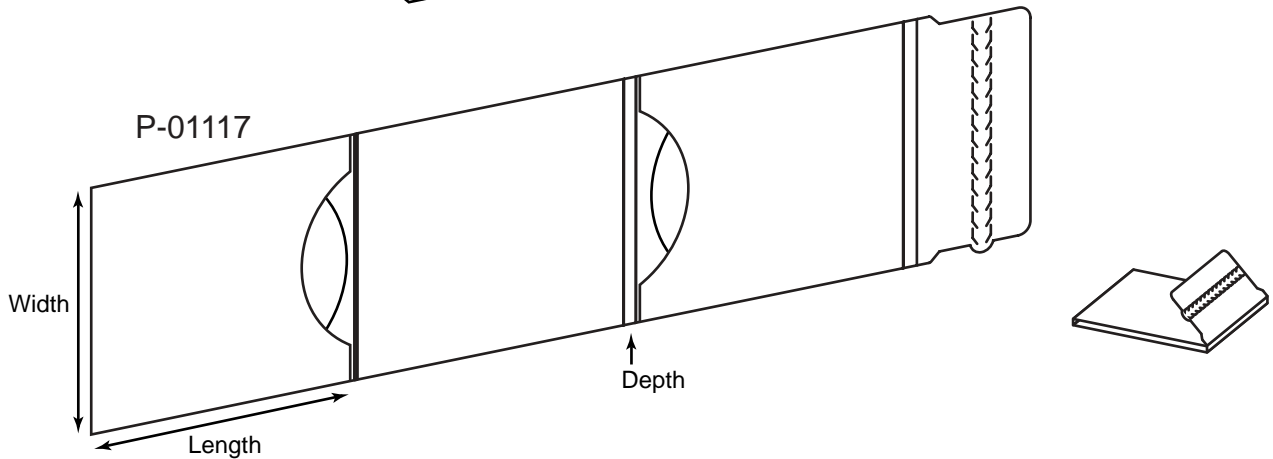
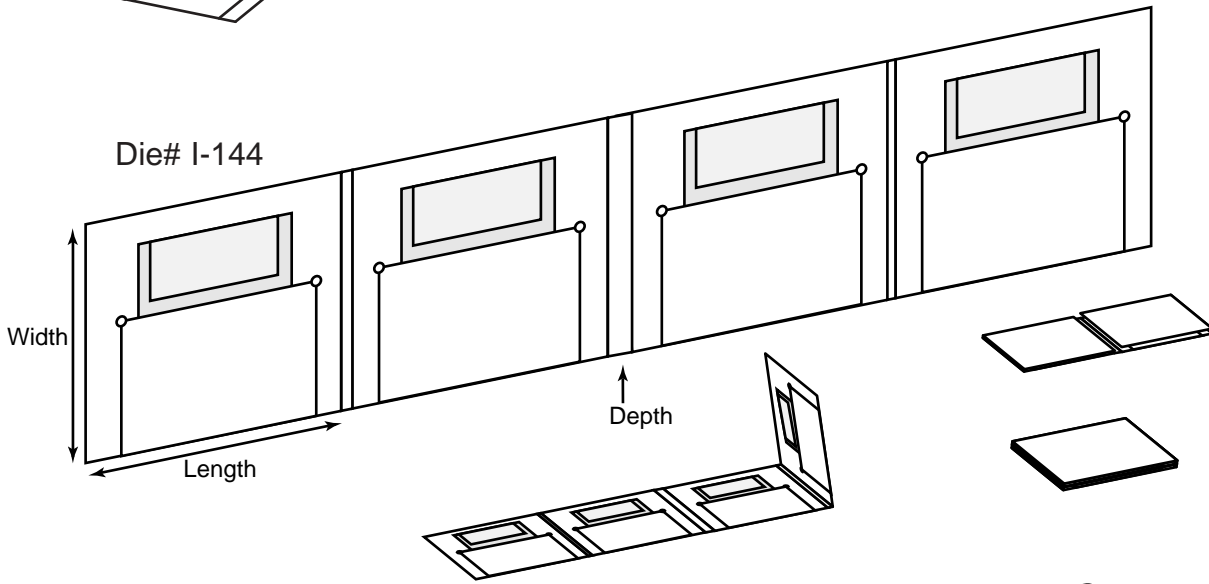
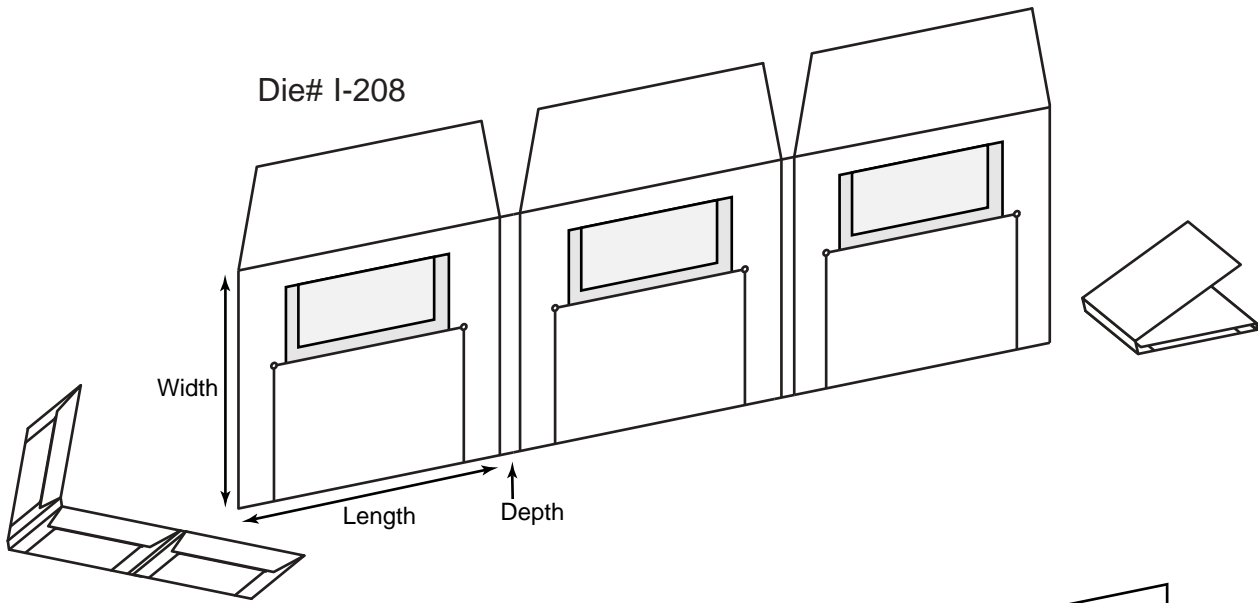
P-01564



Product Type: Reverse Double Tuck Boxes & CD Jewel Case Inserts

Die # Length x Width x Depth Description

Die #	<i>Length x Width x Depth</i>	<i>Description</i>
P-01063	7-1/2 x 1-1/2 x 9-1/2	Reverse double tuck product box; 0458, I-031
0031	7-7/16 x 9-3/8 x 1-1/8	CD jewel case paperboard insert for I-031
0166	7-1/4 x 9-3/16 x 1-3/16	CD jewel case paperboard insert for 0165
0165	7-5/16 x 1-1/4 x 9-1/4	Reverse double tuck product box
P-01564	8 x 1-1/2 x 9-9/16	Reverse Double Tuck Box. Same as B-434, but does not have CD Jewel Case Divider; 0515

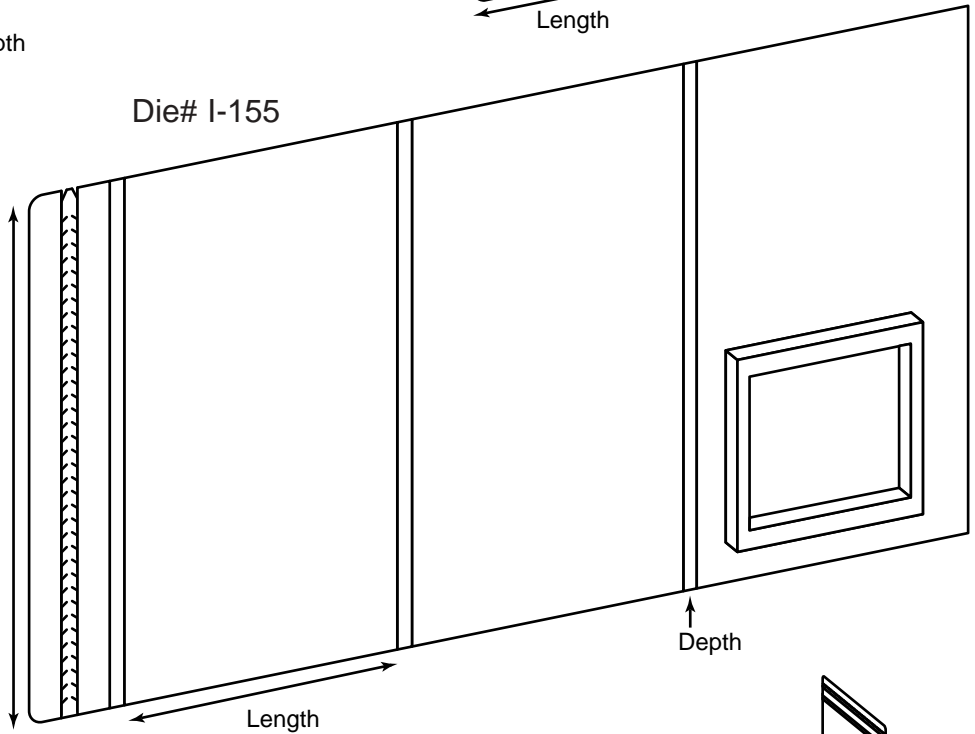
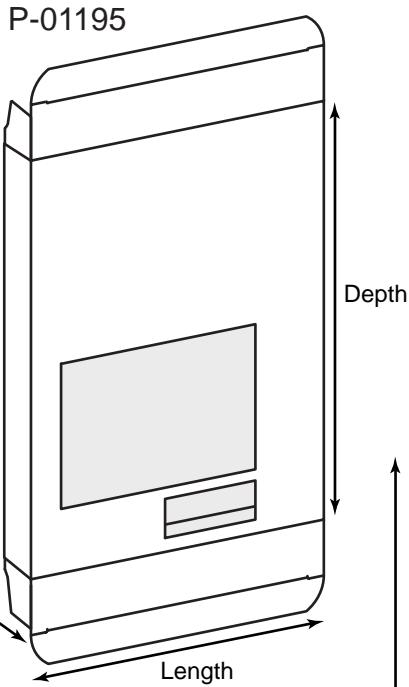
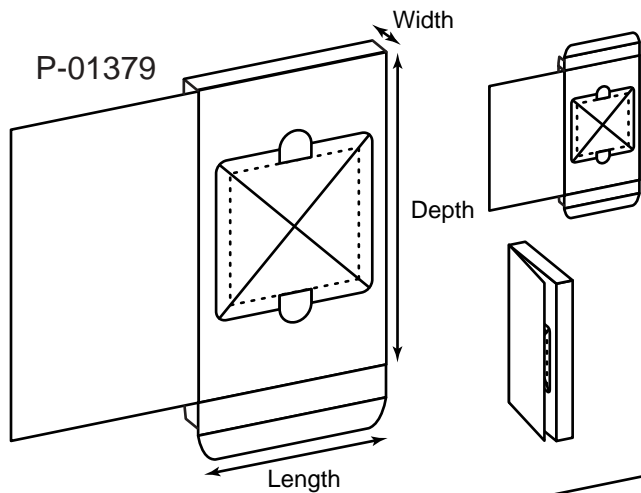
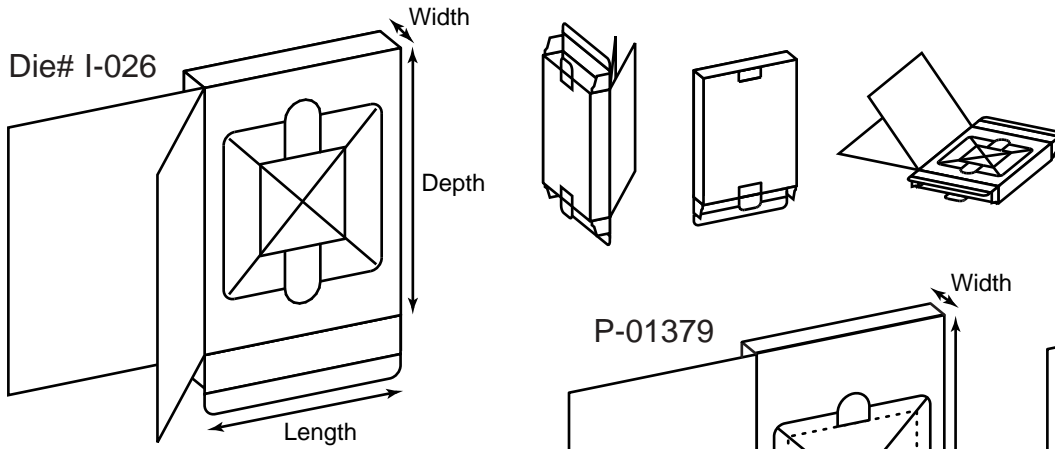


Product Type: Diskette Packs and CD Zip Strip Mailer

Die # Length x Width x Depth Description

I-208	6 x 5-3/8 x 7/16	Diskette pack holds three diskettes
I-144	6 x 5-3/8 x 7/16	Diskette pack holds four diskettes
P-01117	5 x 5-1/2 x 5/16	Zip strip CD holder; half moon pockets on outer left and right sides; B-016-JF, B-560

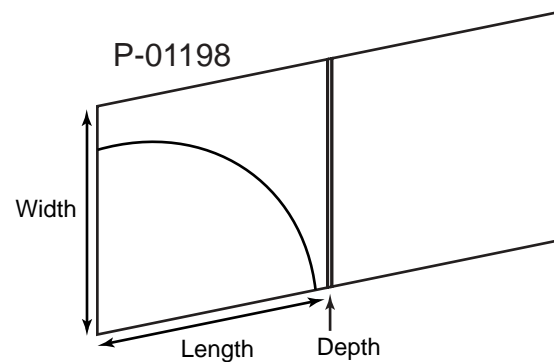
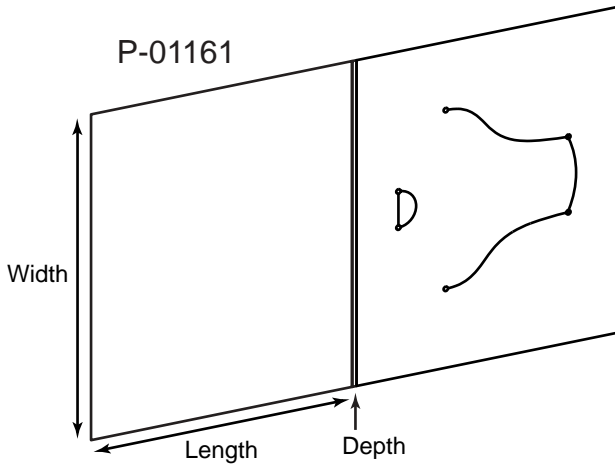
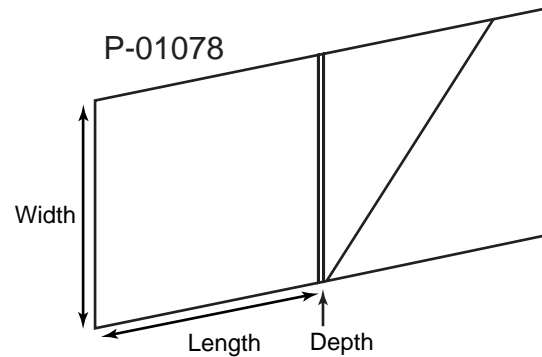
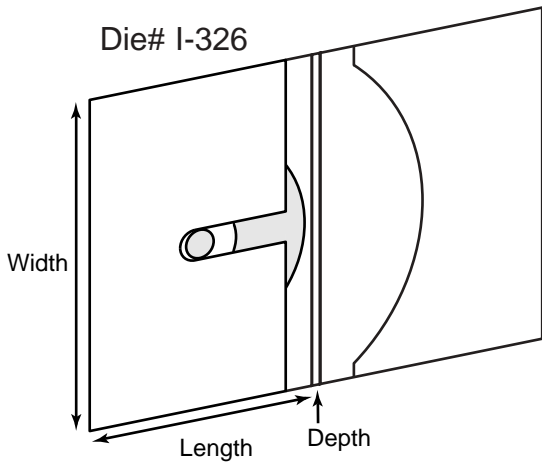
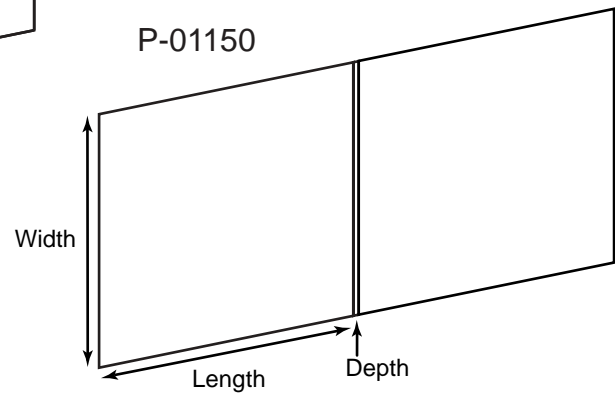
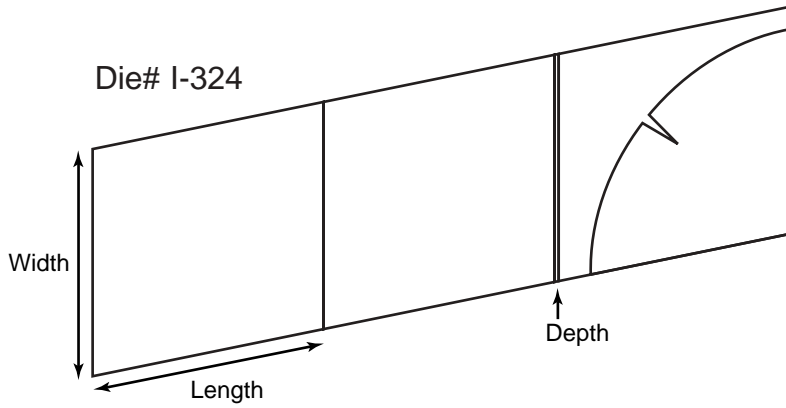
CD-20



Product Type: Double Tuck Diskette and CD Holders and Diskette Mailer

Die # Length x Width x Depth Description

Die #	Length x Width x Depth	Description
I-026	4-1/2 x 7/8 x 6	Seven panel double tuck box w/locking tabs holds one 3-1/2" diskette
P-01379	4-1/2 x 3/4 x 7	Five panel double tuck holds one or two 3-1/2" diskettes; I-103
P-01195	6-11/16 x 1-1/4 x 9-3/8	Double tuck box with built-in insert holds single CD jewel case flush with windows; B-070
I-155	6-3/8 x 12 x 3/8	Three panel zip strip mailer; one or two optional plastic holders for 3-1/2" diskettes



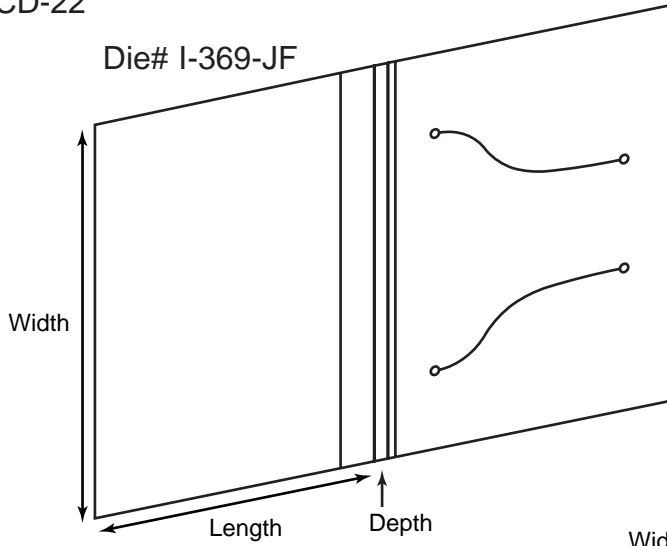
Product Type: **CD Holders**

Die # Length x Width x Depth Description

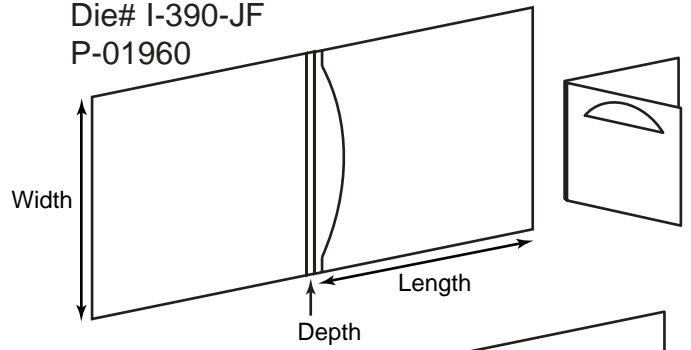
Die #	Length x Width x Depth	Description
I-324	5-1/8 x 5 x 1/16	Single CD holder with round pocket
P-01150	5-13/16 x 5-11/16 x 1/8	Oversized single CD holder; B-023-JF
I-326	5-1/8 x 7-1/2 x 3/16	Oversized CD holder; single CD in spindle slot on left side and halfmoon pocket on right.
P-01078	5-1/8 x 5-1/8 x 1/8	Single CD holder with angled pocket; I-339-JF
P-01161	7-3/8 x 9 x 1/8	Single CD holder with S-curves; B-034-JF
P-01198	5-3/16 x 5-1/16 x 1/8	Single CD holder; B-073-JF

CD-22

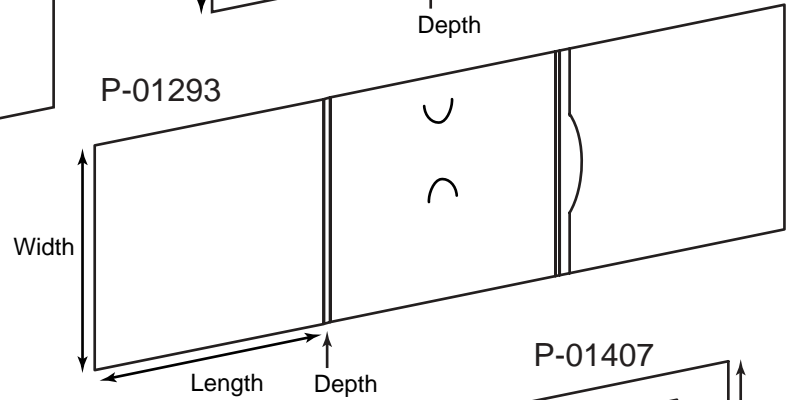
Die# I-369-JF



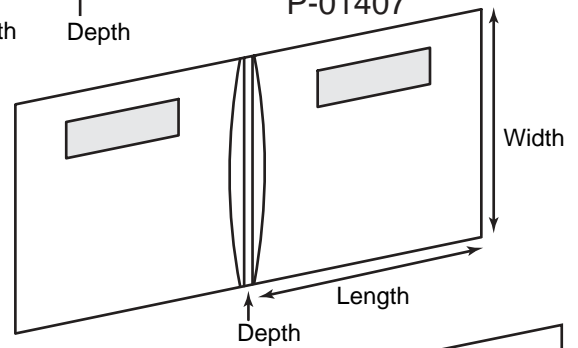
Die# I-390-JF
P-01960



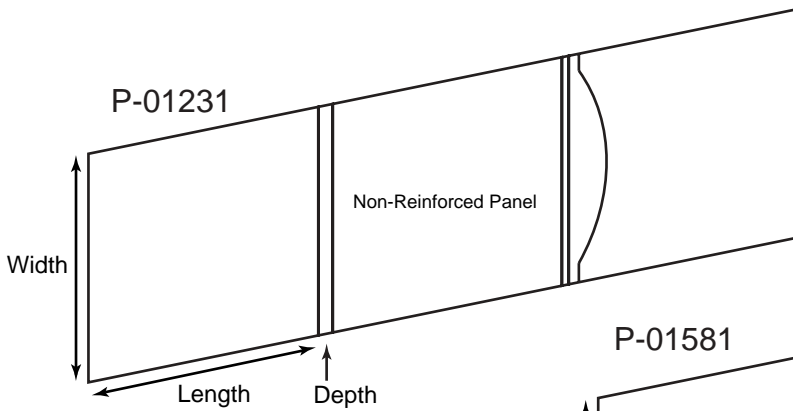
P-01293



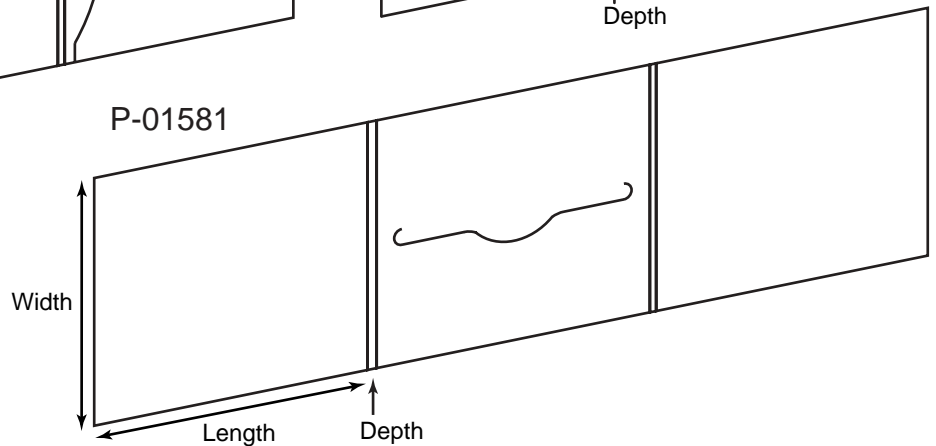
P-01407



P-01231



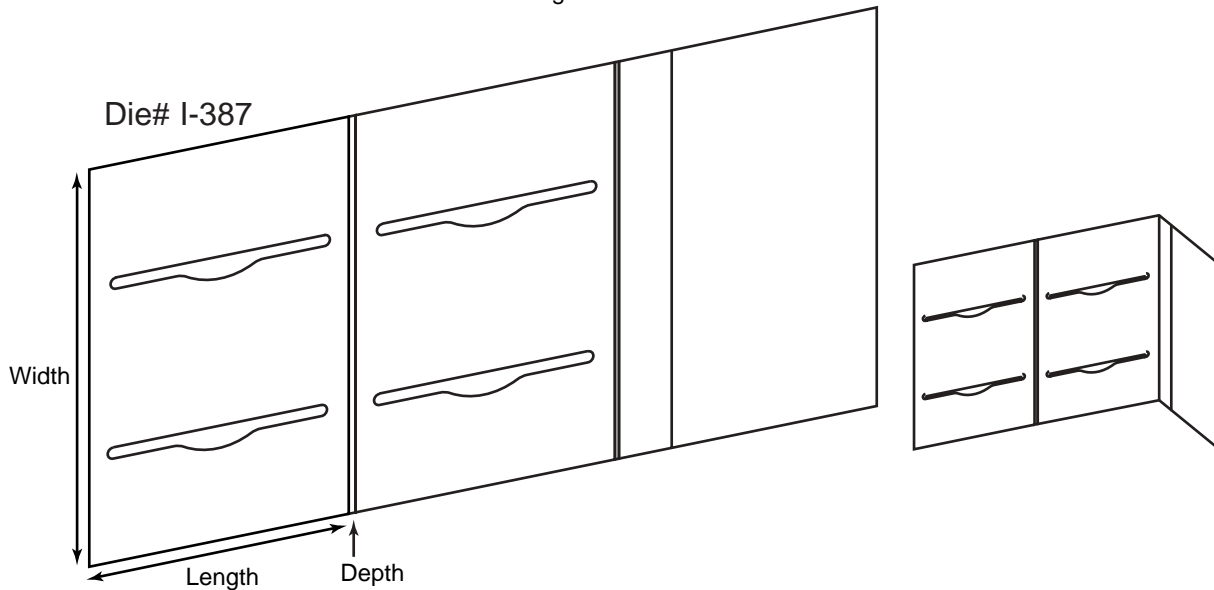
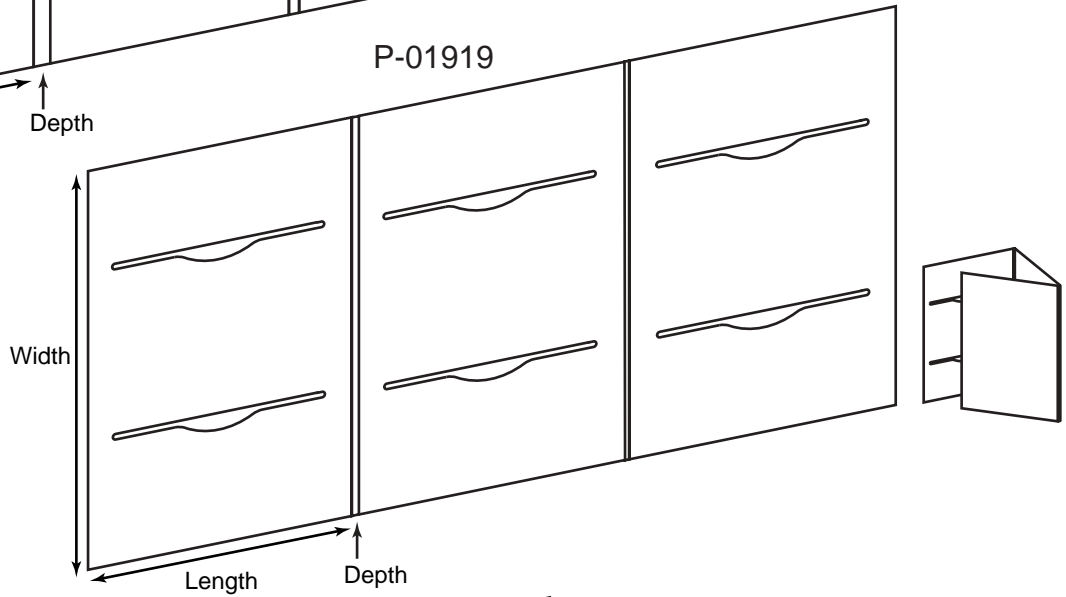
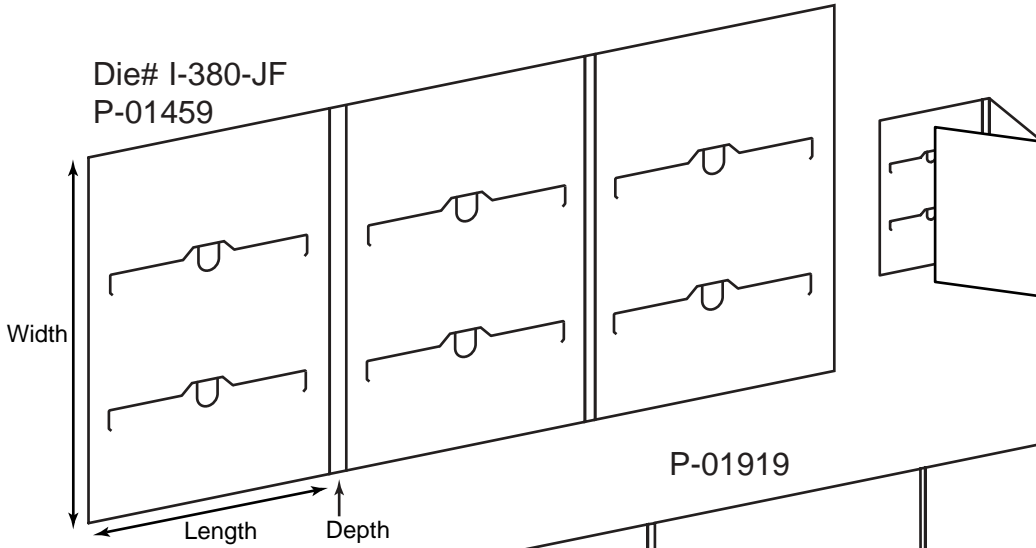
P-01581



Product Type: CD Holders

Die # Length x Width x Depth Description

Die #	Length x Width x Depth	Description
I-369-JF	6-3/8 x 8-7/8 x 5/16	Single CD holder with pocket
I-390-JF	5 x 5 x 3/16	Single CD holder with reinforced panel and window on front
P-01960	5 x 5 x 3-16	Single CD holder with halfmoon cut; no window; 0631, B-810-JF
P-01293	5-1/2 x 5 x 1/8	Holds single CD and business card; 0519, B-392
P-01221	5-1/8 x 5 x 1/4	Holds two CD's; one middle slide through pocket, half moon pocket at end; I-370-JF
P-01407	5-1/8x 5 x 3/16	CD Pack with two windows 13/16" x 2-1/2"; 0452
P-01581	5-9/16 x 4-15/16 x 3/16	Two fold single CD holder; 0521, I-378-JF

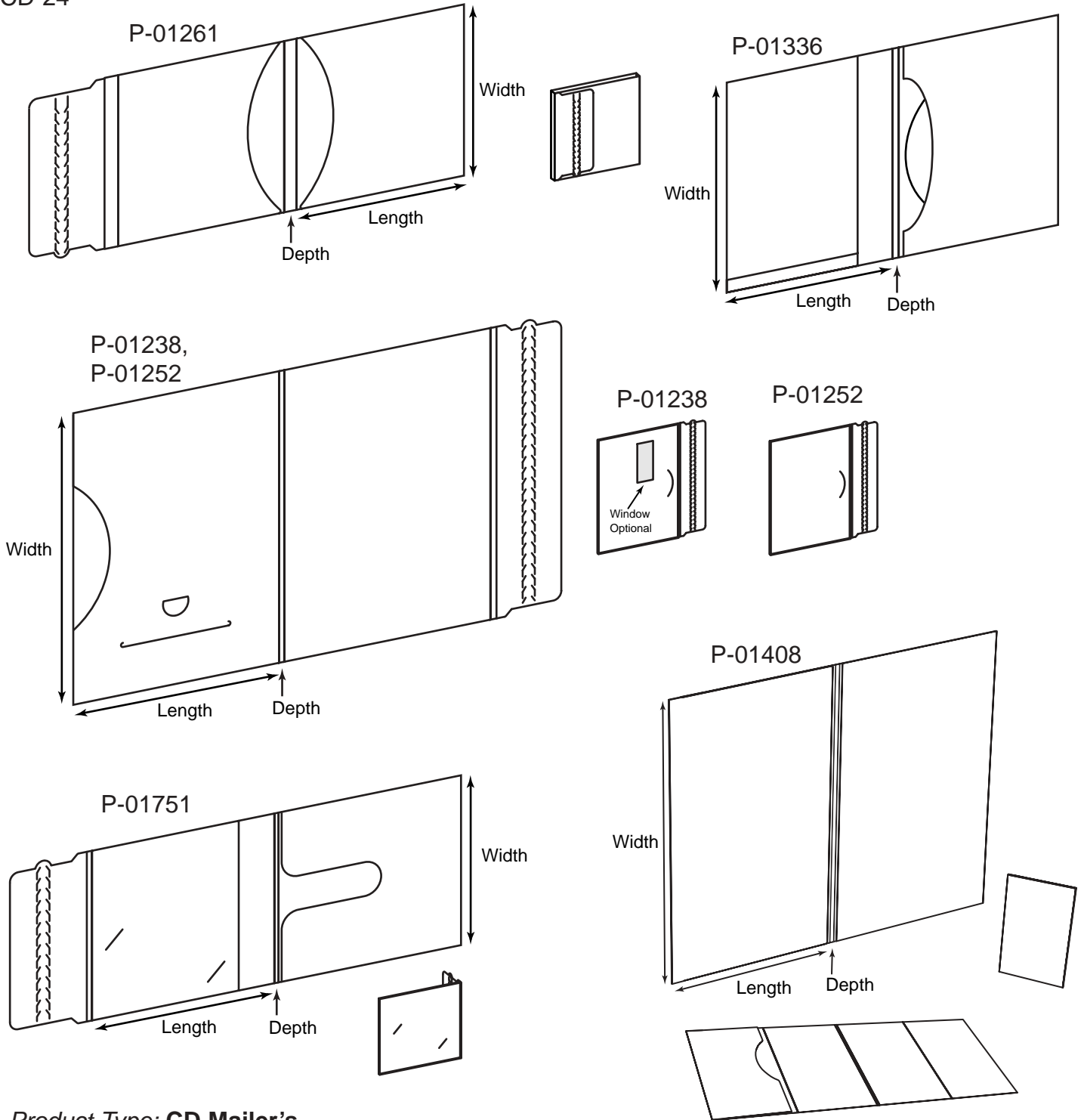


Product Type: CD Packs

Die # Length x Width x Depth Description

I-380-JF	6 x 8-5/16 x 3/16	Holds five CD's with optional slot for a sixth CD
P-01459	5-3/4 x 9 x 5/16	Holds six CD's; B-196, B-454
P-01919	6-1/8 x 9 x 3/16	Holds six CD's; I-384-JF
I-387	6 x 9 x 3/16	Holds four CD's with pocket on right panel

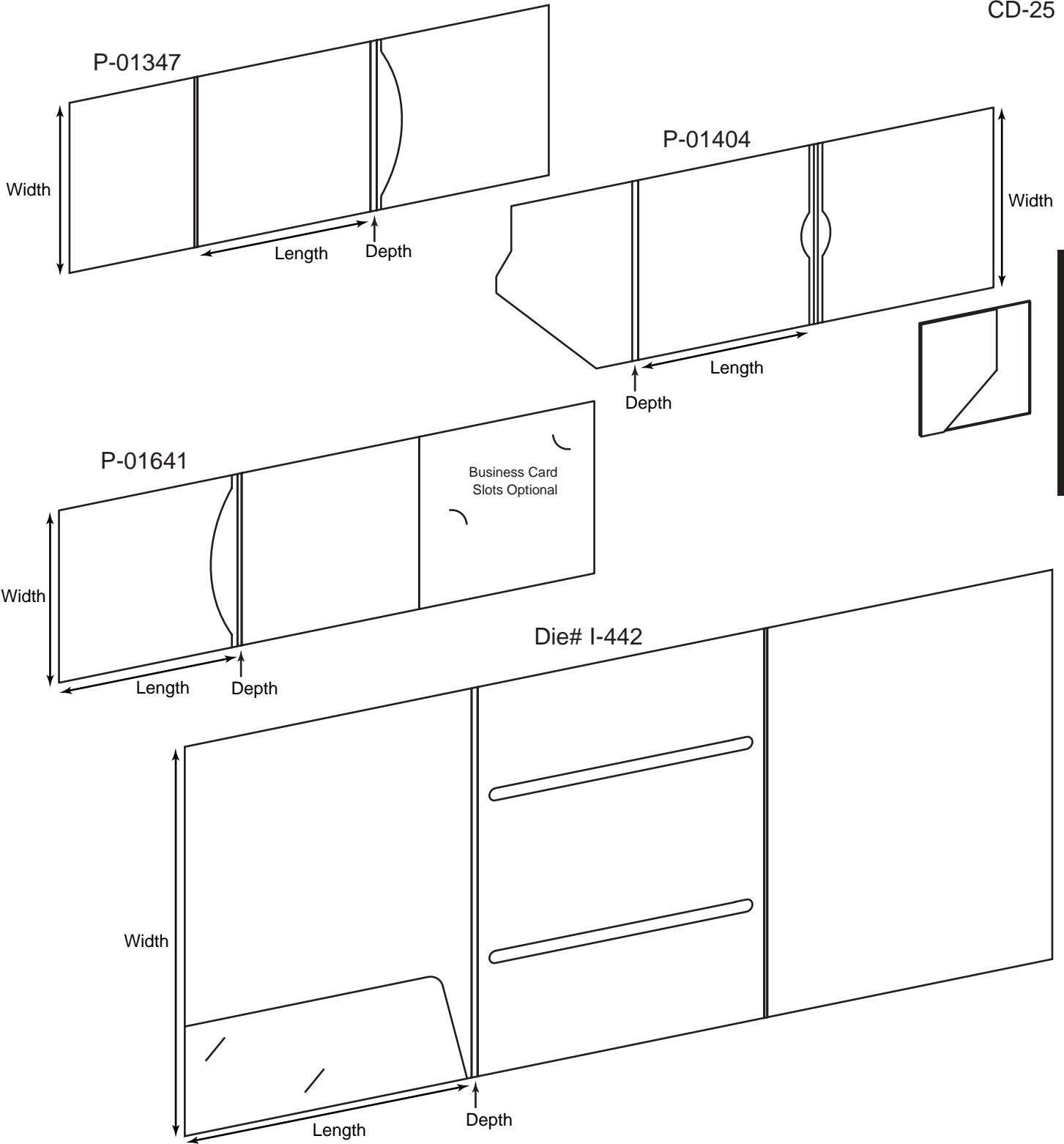
CD-24



Product Type: CD Mailer's

Die # Length x Width x Depth Description

Die #	Length x Width x Depth	Description
P-01261	5-3/16 x 5-1/8 x 3/8	Zip strip mailer holds 2 CD's; 0264, B-104-JF
P-01336	5-1/16 x 6-5/16 x 3/16	Single CD mailer with detachable reply card; B-119
P-01238	6-3/8 x 8-3/4 x 1/8	Zip strip mailer with window; B-088-JF, B-484
P-01252	6-3/8 x 8-13/16 x 1/8	Zip strip mailer; B-093-JF
P-01751	5-1/2 x 5-1/16 x 3/16	Zip strip mailer with two business card slots; 0280
P-01408	5-1/8 x 8-1/2 x 1/8	Four panel gatefold CD mailer with three two-sided printable panels; 0453

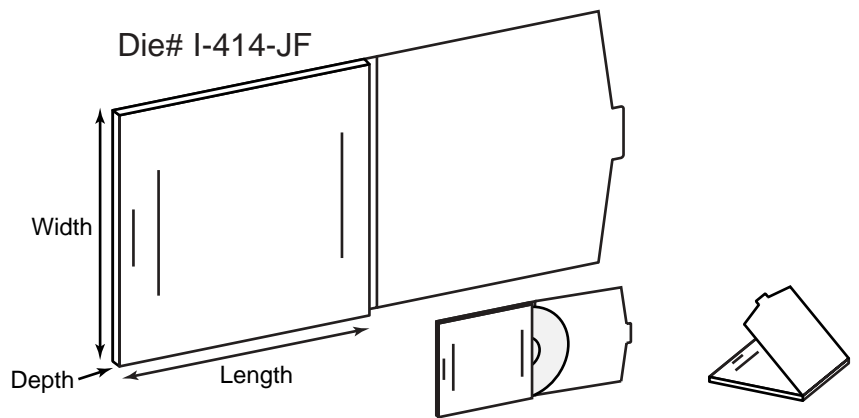
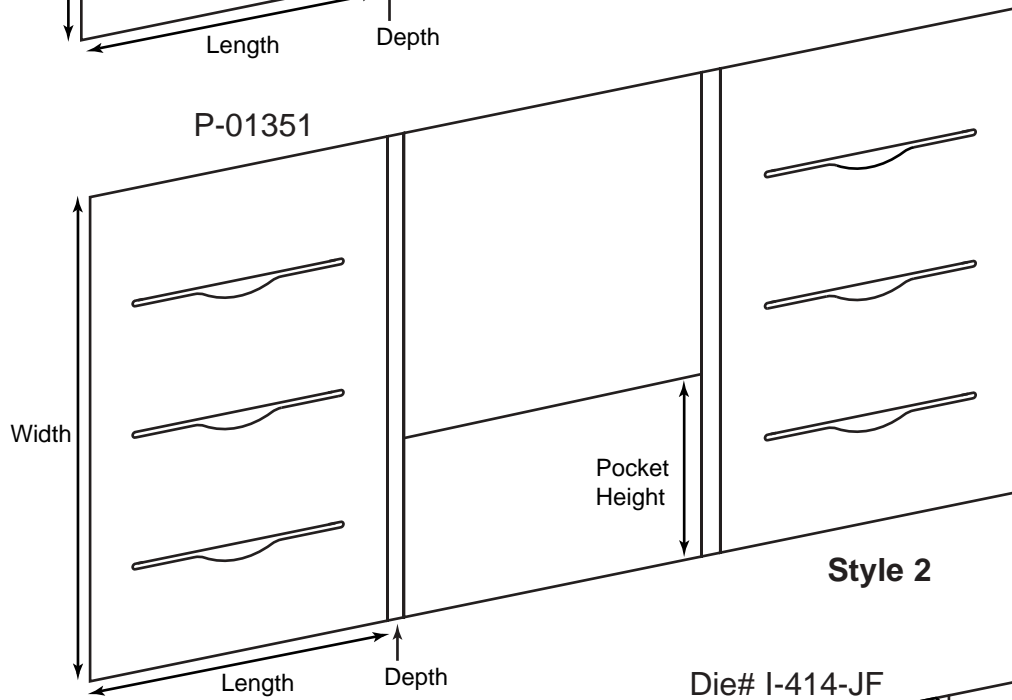
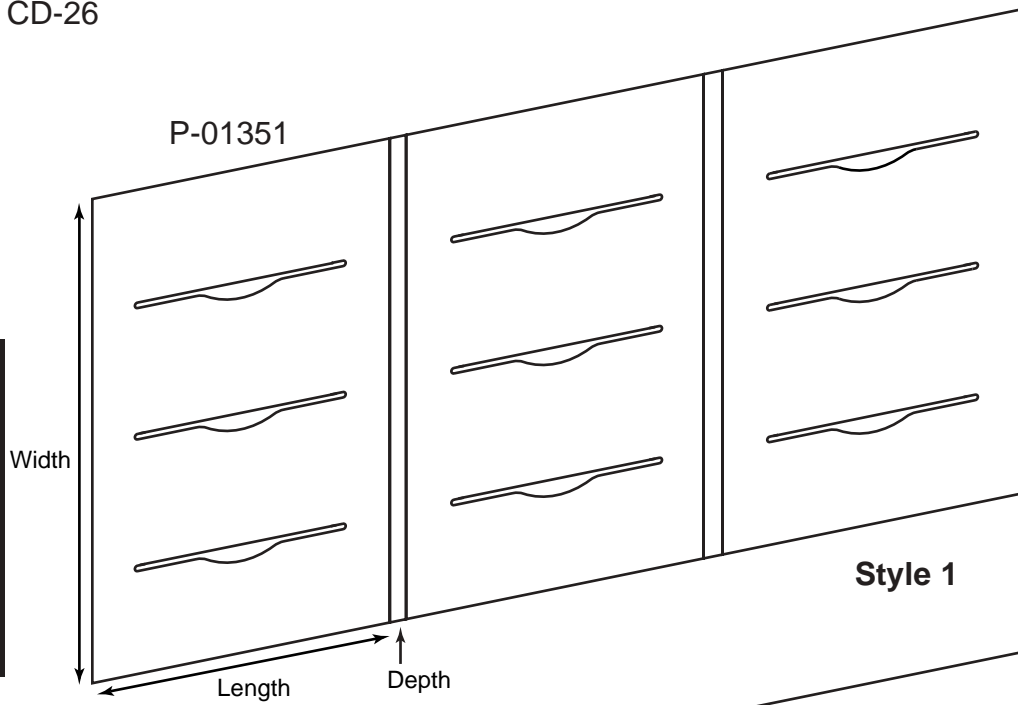


CD/DVD ROM • SOFTWARE • DISKETTE

Product Type: CD Holders, CD Packs and Disk Pack

Die # Length x Width x Depth Description

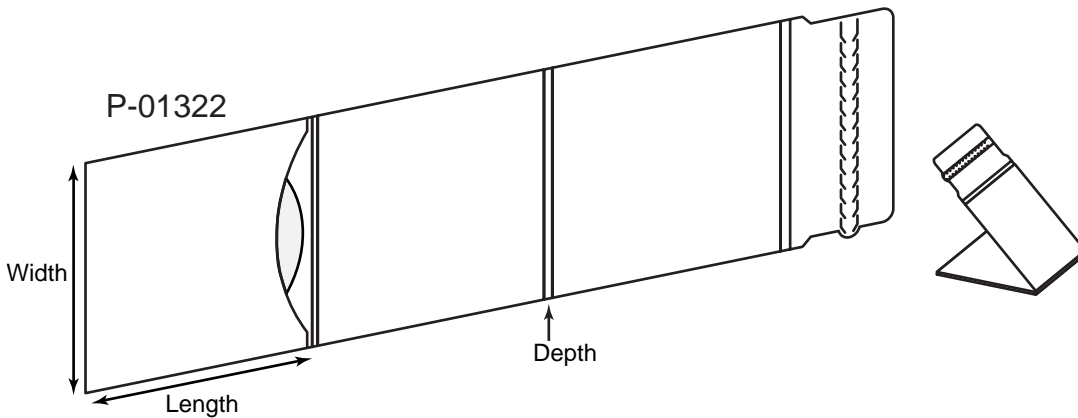
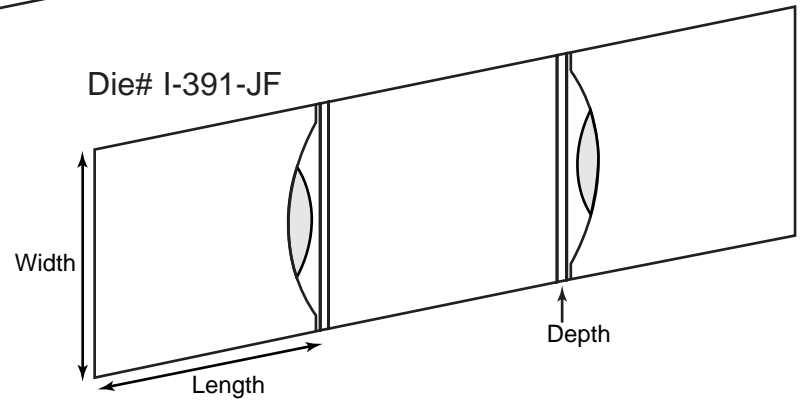
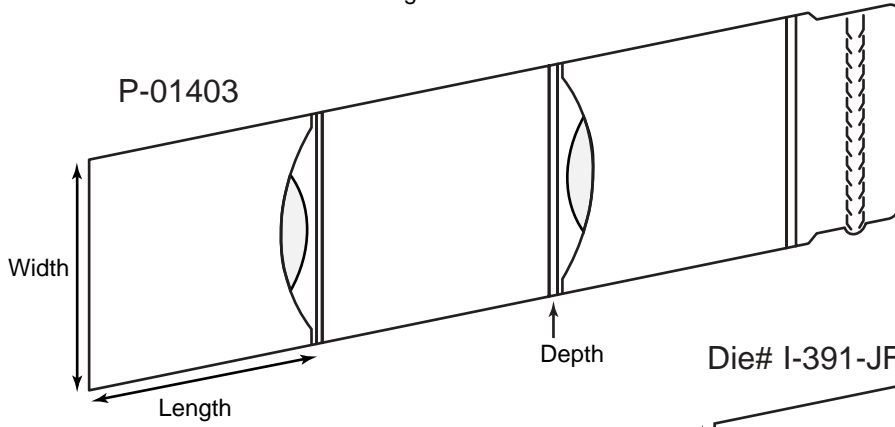
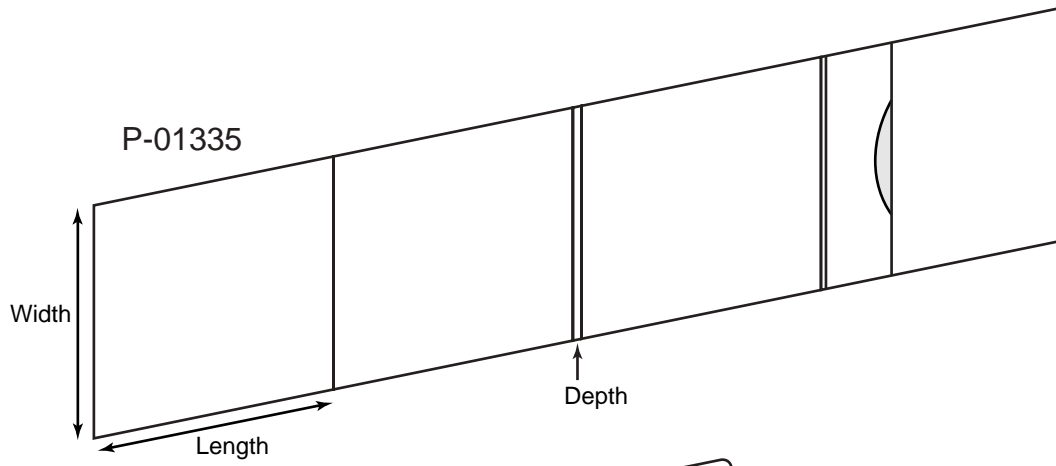
Die #	Length x Width x Depth	Description
P-01347	5-1/4 x 5-1/16 x 3/16	Three panel mailer, with business reply card; B-128-JF
P-01404	5-1/2 x 5-1/2 x 1/8	Mailer holds two CD's or one CD and literature; B-141-JF
P-01641	5-5/16 x 5 x 1/8	Three panel CD, with removable BC slots; 0276, B-574-JF
I-442	9 x 12 x 3/16	Three panel CD pack with two center panel slots and BC slits on the short pocket panel



Product Type: CD Holders

Die # Length x Width x Depth Description

Die #	Length x Width x Depth	Description
P-01351	6-7/8 x 11 x 7/16	CD holder with nine removable CD slots; optional pocket on center panel 4" height; B-132 Style 1 & 2
I-414-JF	5-5/8 x 5-1/2 x 1/4	Single CD mailer

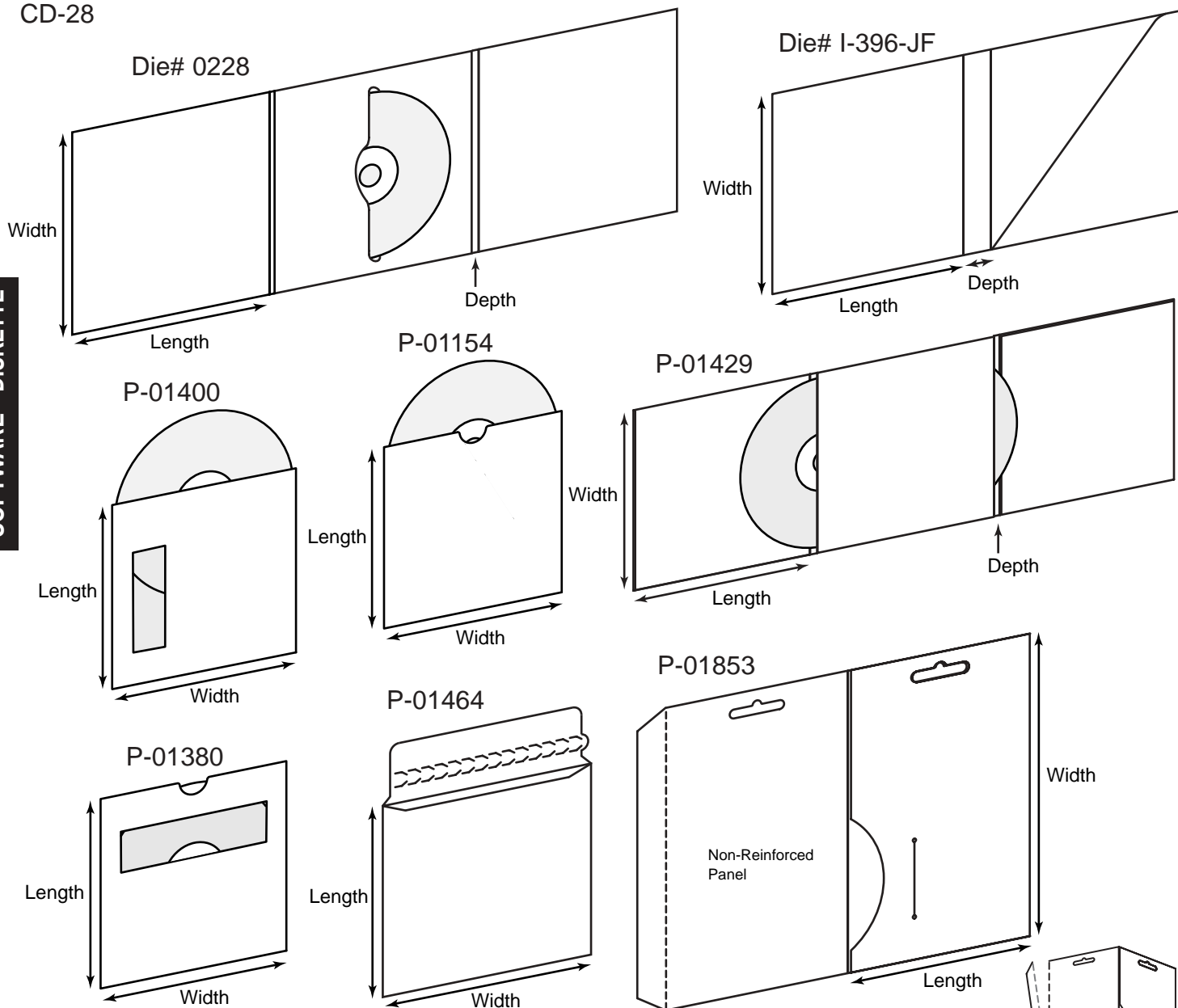


Product Type: CD Holders & Zip Strip Mailer's

Die # Length x Width x Depth Description

P-01335	5-1/4 x 5 x 3/16	Single CD holder; B-118-JF
P-01403	5-3/16 x 5-3/16 x 1/4	CD mailer with zip strip; B-140-JF
I-391-JF	5-1/8 x 5 x 3/16	CD holder with reinforced middle panel
P-01322	5-3/16 x 5-3/16 x 1/4	CD mailer with zip strip; B-404

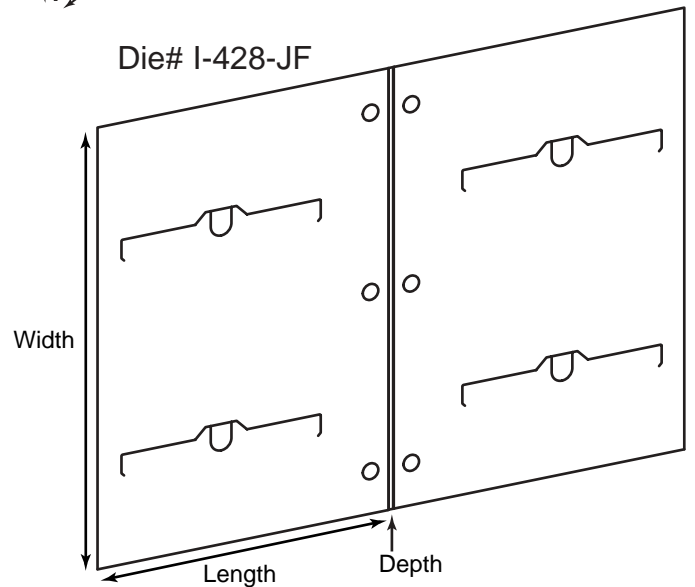
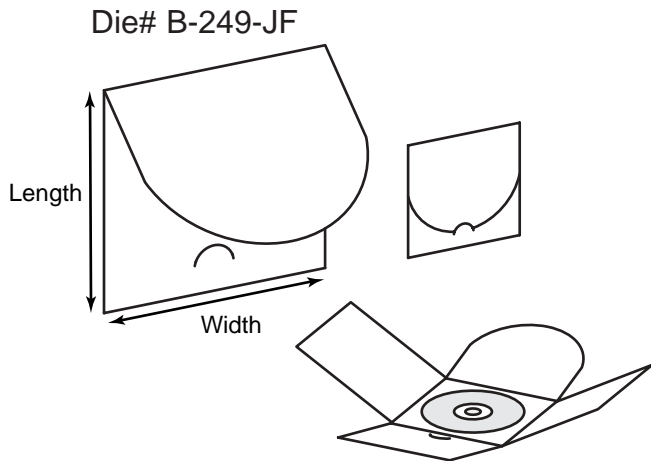
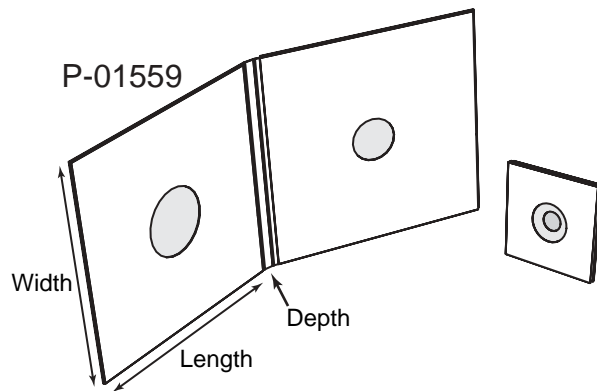
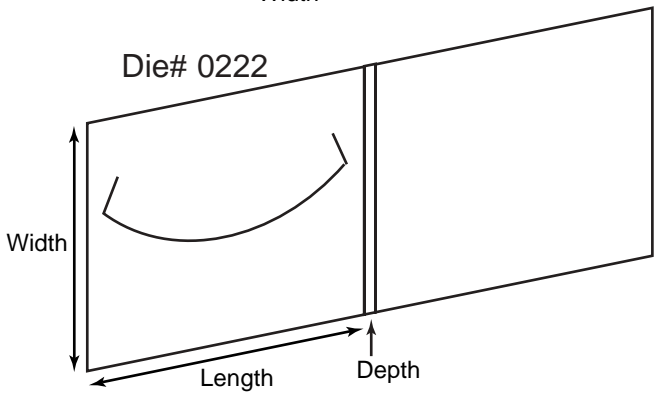
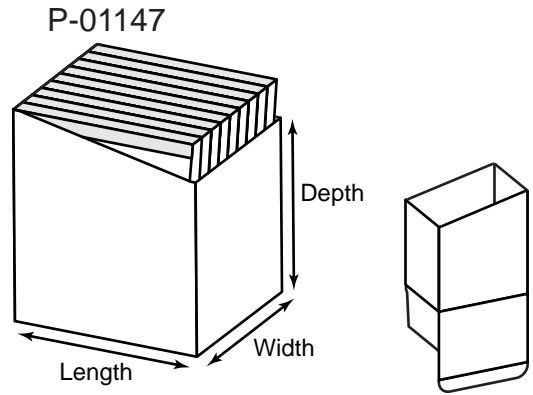
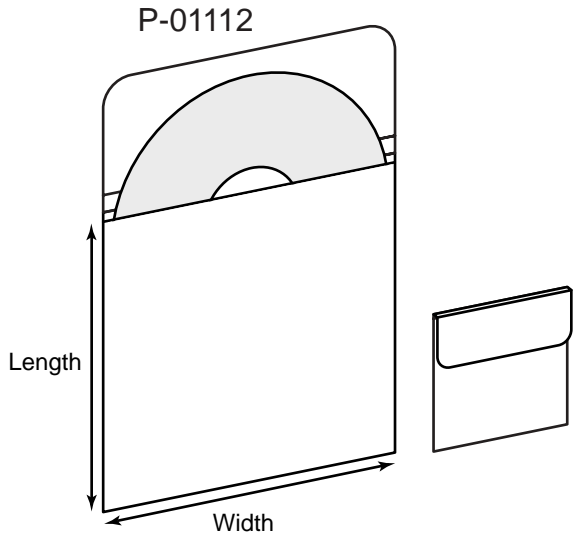
CD-28



Product Type: CD Holders and Mailer

Die # Length x Width x Depth Description

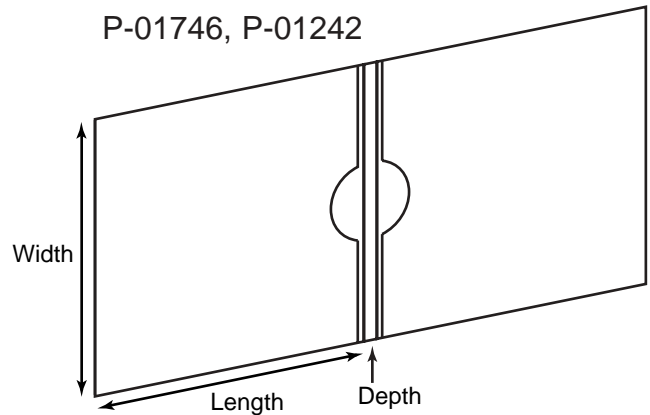
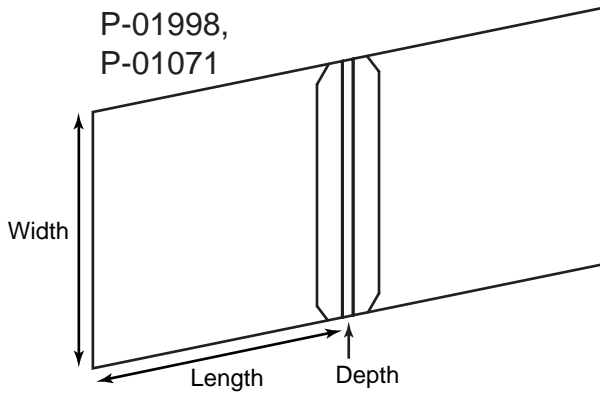
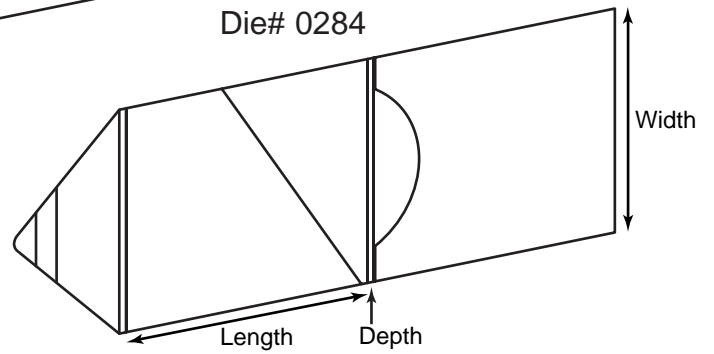
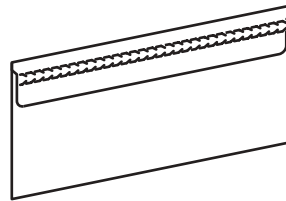
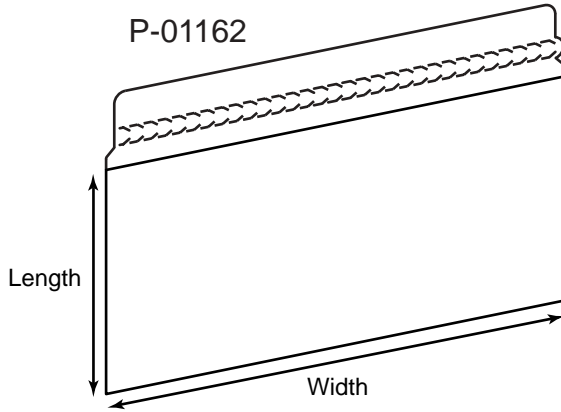
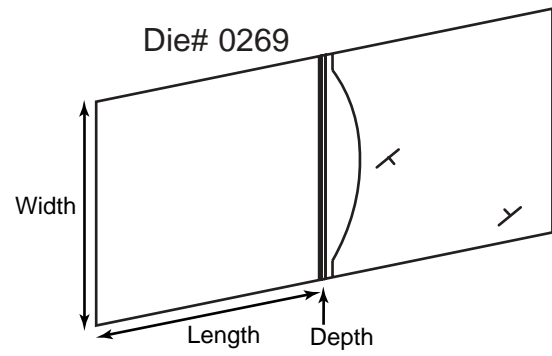
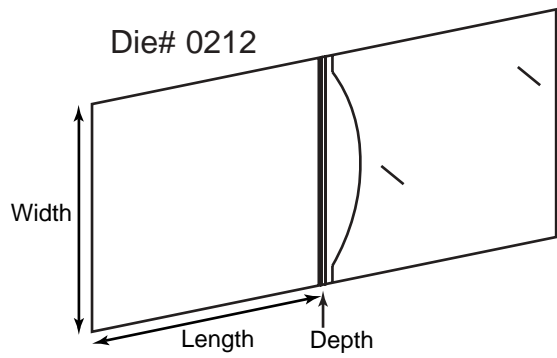
Die #	Length x Width x Depth	Description
0228	5-5/8 x 5-5/8 x 3/16	Three panel single CD pack
I-396-JF	5-9/16 x 5-7/16 x 3/4	Holder with angled pocket; 1/2" capacity holds vinyl multi-CD booklet
P-01400	5 x 5-1/8	CD envelope with 2-9/16 x 3/4 window on front panel; 0451
P-01154	5 x 5	CD envelope; B-027-JF
P-01429	5 x 5 x 1/4	Three panel single CD holder with center panel (two open sides) pocket and reinforced panels left and right; 0465
P-01380	5-1/4 x 5-1/4	CD envelope with 1-1/16" x 3-13/16" window on both panels; 0442
P-01464	5-5/16 x 5-13/16	Zip strip CD mailer; 0231, I-399, B-457
P-01853	5-1/4 x 8-1/2	CD mailer has hang tab top, business card slit and perforated tear-off zip-tape closure on long panel; I-437



Product Type: CD and CD Jewel Case Holders

Die # Length x Width x Depth Description

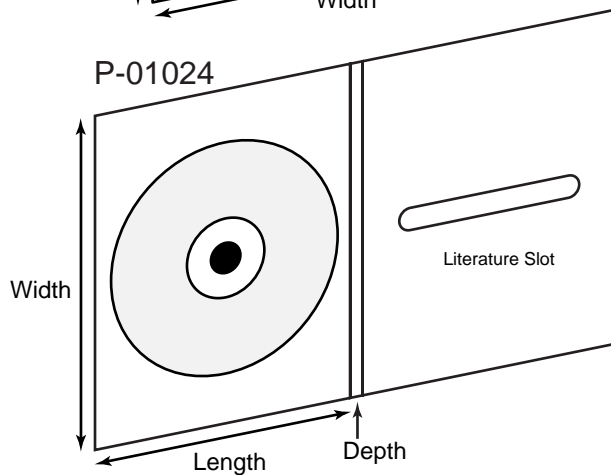
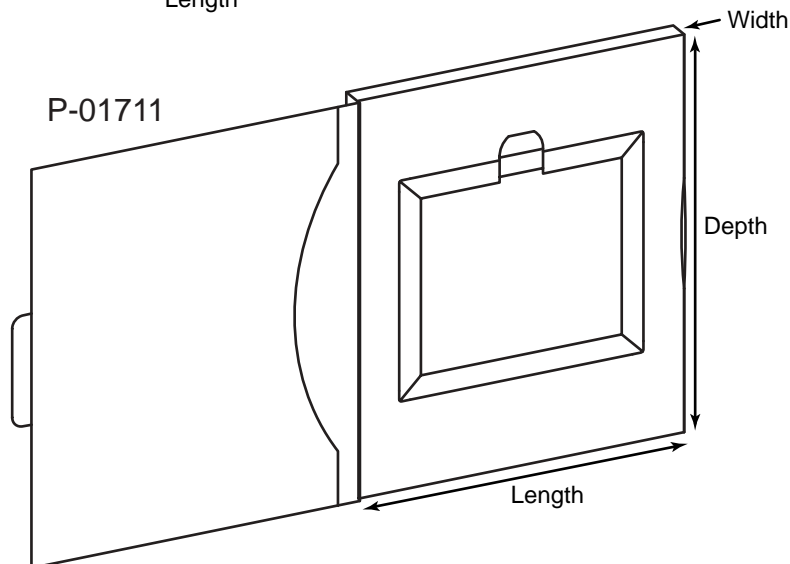
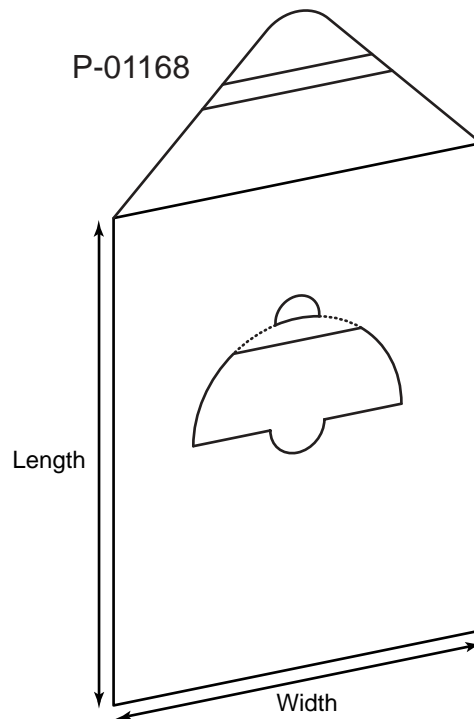
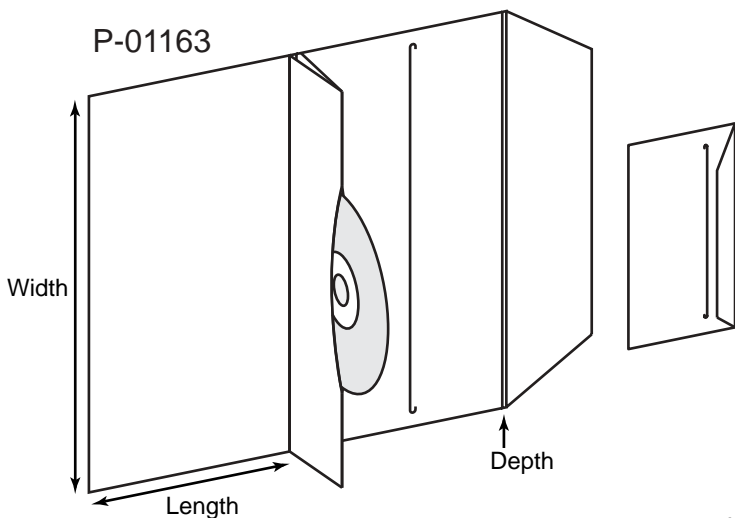
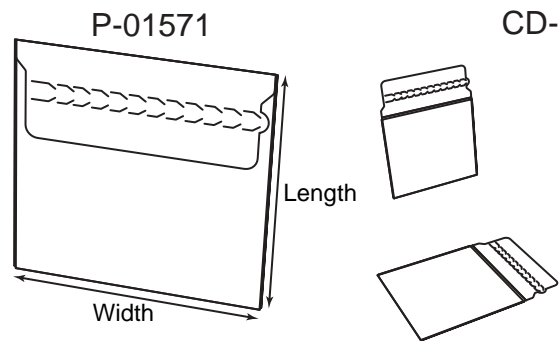
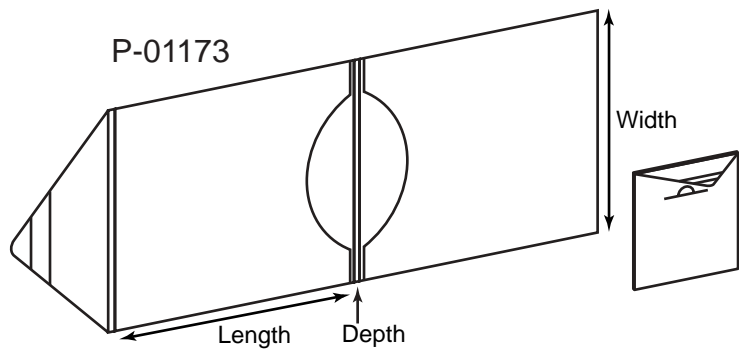
Die #	Length x Width x Depth	Description
P-01112	6-9/16 x 6-1/2	Holds up to 6 CD's in 3/8" capacity pocket; B-010-JF
P-01147	4-15/16 x 3-1/8 x 4-5/8	Nine CD jewel case pack with angled sides; B-019-JF
0222	5-9/16 x 4-1/16 x 3/16	Two panel, Single CD Mailer
P-01559	5-1/8 x 5-1/16 x 1/4	Two panel CD mailer with three different sized holes. 1", 3/4", and 1/2" radius; 0513
B-249-JF	5 x 4-15/16	Single CD holder; front panel fits into locking tab
I-428-JF	7-1/8 x 10 x 1/2	CD pack holds four raw CD's, three ring binder center



Product Type: CD Holders

Die # Length x Width x Depth Description

Die #	Length x Width x Depth	Description
0212	5-1/8 x 5 x 1/8	Single CD holder with business card slots
0269	5-1/2 x 5 x 1/4	Single CD holder with "T" business card slots
P-01162	5 x 10-9/16	Zip strip mailer holds 2 CD's in place side by side; B-035-JF
0284	5-1/2 x 5 x 1/8	Single CD holder with pocket and tuck tab
P-01998	5-3/4 x 5-13/16 x 1/4	Holds 2 CD's; 0221, B-783
P-01071	5-3/4 x 5-7/8 x 1/4	Holds 2 CD's; B-335-JF
P-01746	5-5/16 x 5-1/4 x 1/4	Holds 2 CD's; 0230, B-636
P-01242	6-1/4 x 6-1/4 x 3/16	Holds 2 CD's; 0414

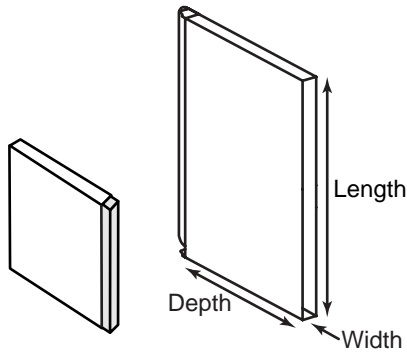


Product Type: CD Holders and Presentation Pack

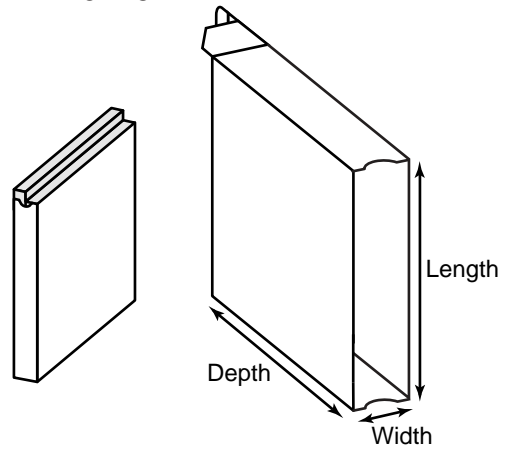
Die # Length x Width x Depth Description

Die #	Length x Width x Depth	Description
P-01173	5-1/2 x 5 x 1/8	2 CD holder with tuck flap; 0543, B-046-JF
P-01571	5-3/16 x 5-1/8	Single CD sleeve, Zip-Strip mailer; 0517
P-01163	4-11/16 x 8-15/16 x 3/16	CD mailer with stand-up slot for single CD and literature slot; 0319, B-036
P-01168	11 x 8-1/2	Single CD holder; made to mail with magazine; B-041
P-01711	7-1/2 x 5/8 x 9	Presentation pack and pocket holds 1 CD jewel case; B-176
P-01024	5-7/8 x 7-9/16 x 5/16	Single CD mailer with literature slot; 0484, B-049

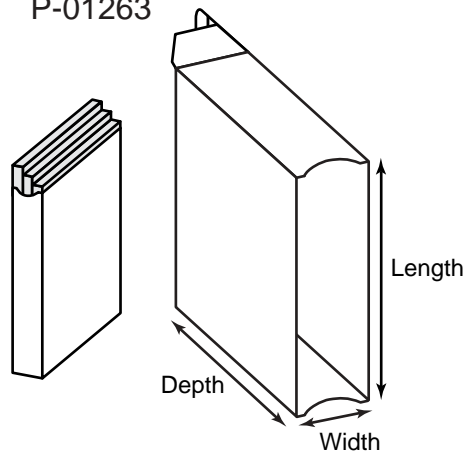
P-01060



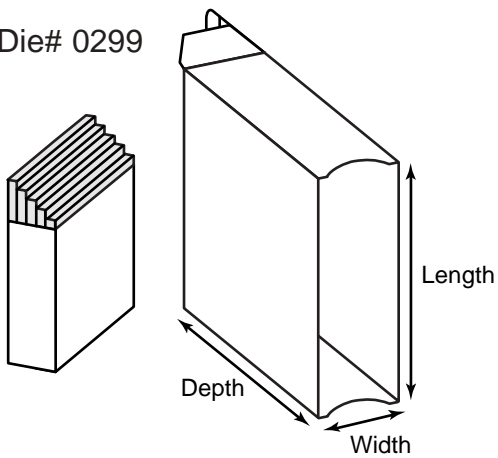
P-01291



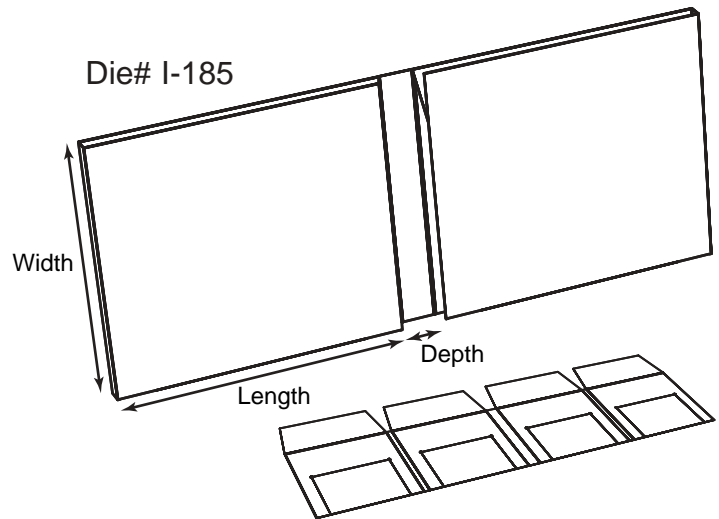
P-01263



Die# 0299



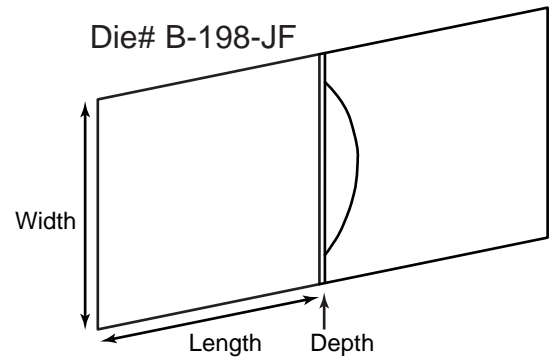
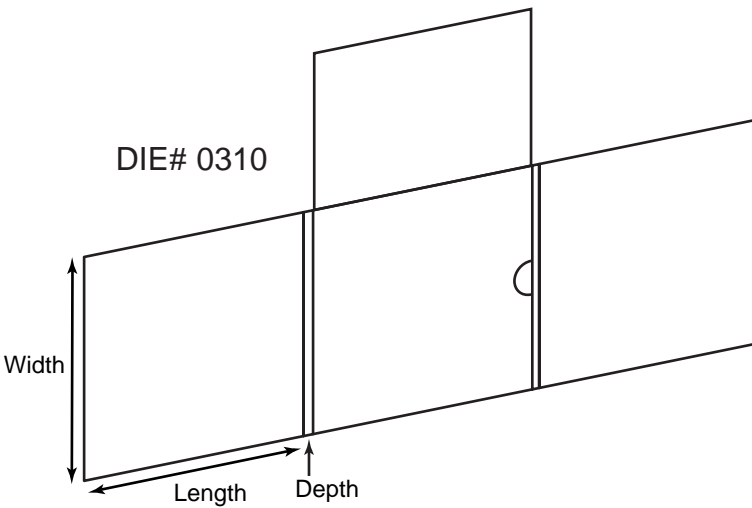
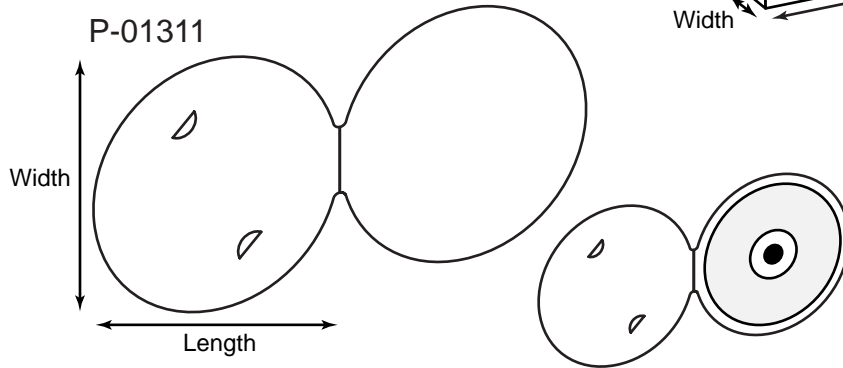
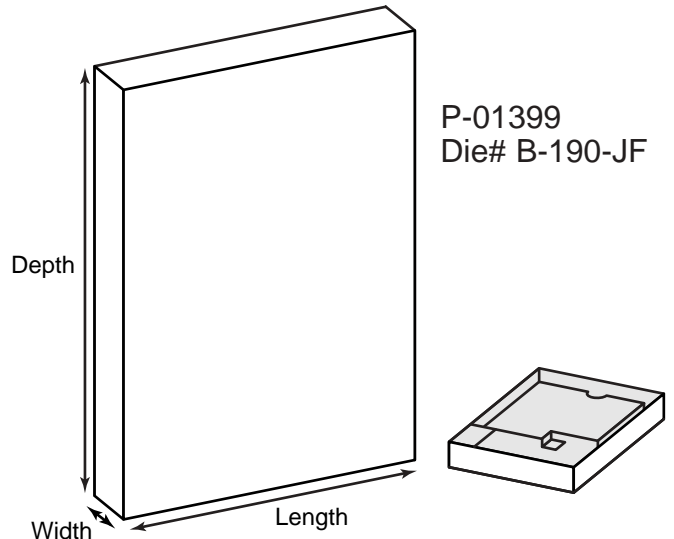
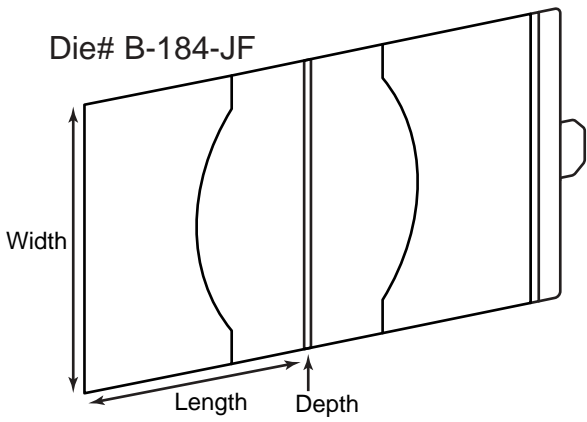
Die# I-185



Product Type: DVD Slip cases and CD Holders

Die # Length x Width x Depth Description

P-01060	7-9/16 x 5/8 x 5-3/8	Side load holds 1 plastic Amaray DVD case; B-327
P-01291	5-7/16 x 1-3/16 x 7-9/16	Bottom load holds 2 plastic Amaray DVD cases; 0422
P-01263	5-7/16 x 1-3/4 x 7-9/16	Bottom load holds 3 plastic DVD cases; 0266, B-106-JF
0299	5-7/16 x 2-15/16 x 7-9/16	Bottom load holds 5 plastic DVD cases
I-185	11/16 x 6 x 5-3/8	Four panel 3-1/4" diskette pack, holds four

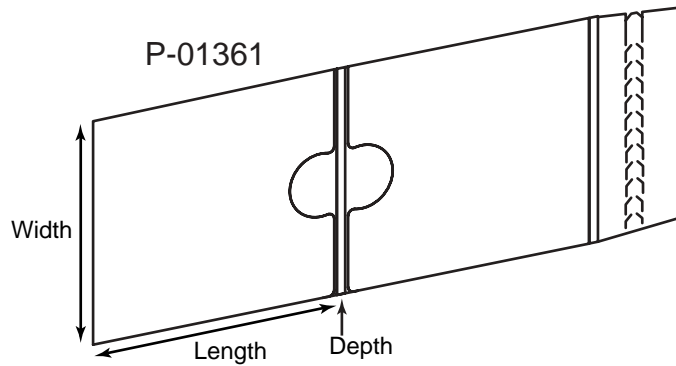
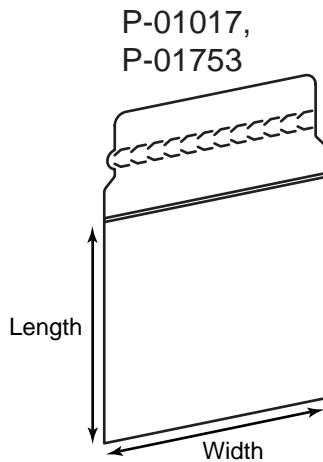
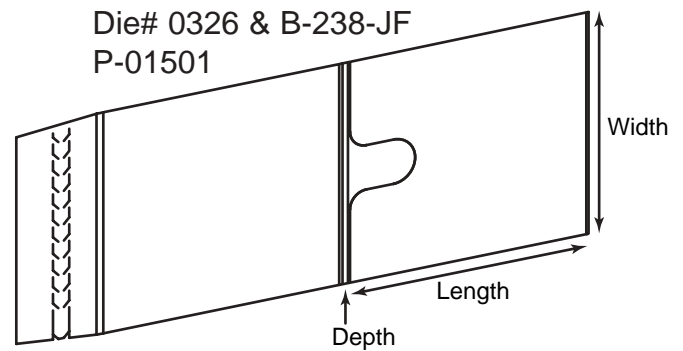
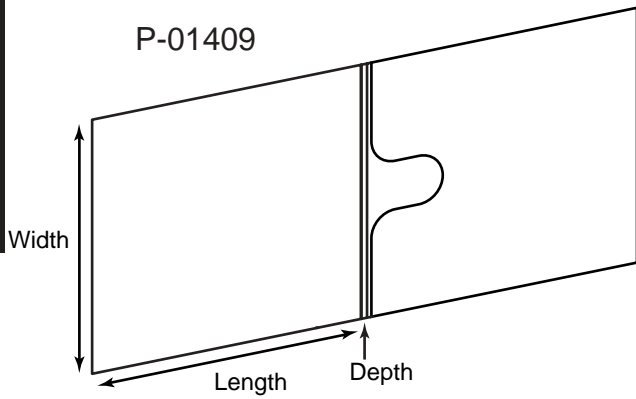
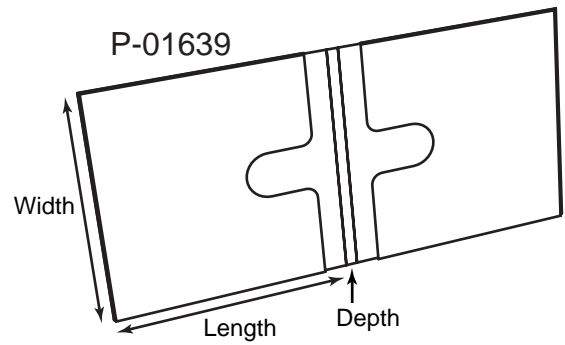
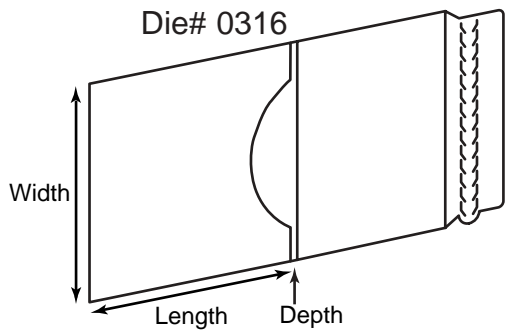


CD/DVD ROM • SOFTWARE • DISKETTE

Product Type: CD Holders, Mailer and Presentation Pack

Die # Length x Width x Depth Description

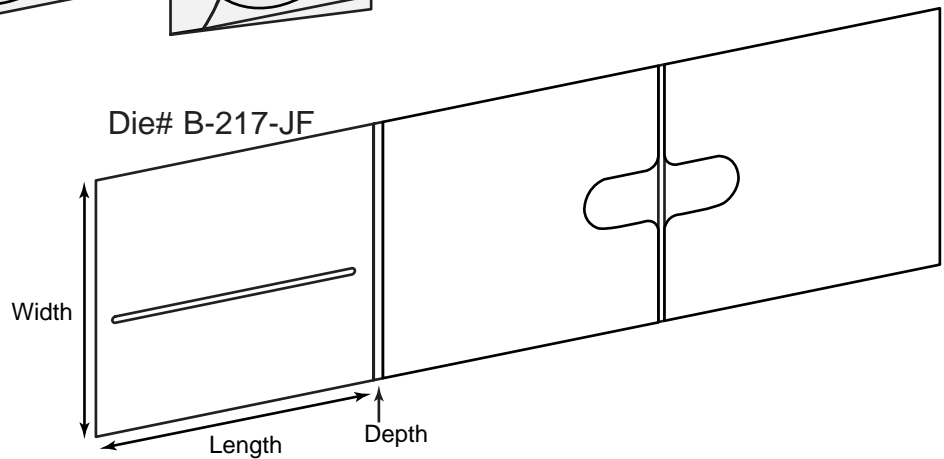
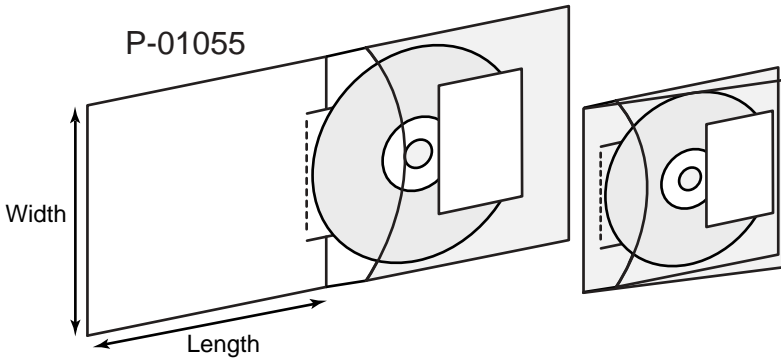
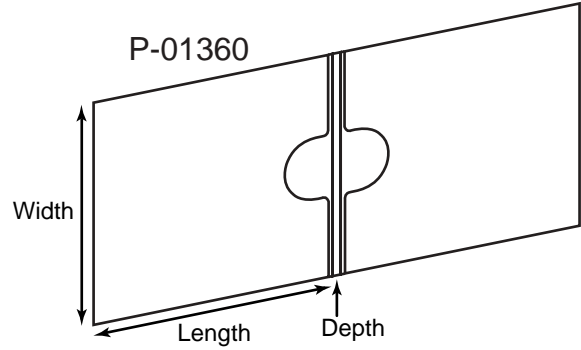
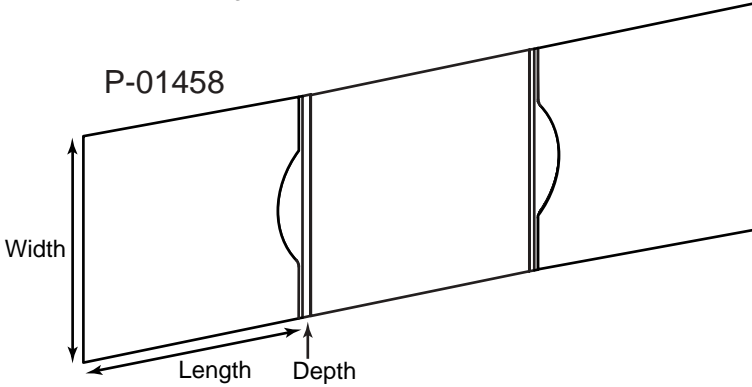
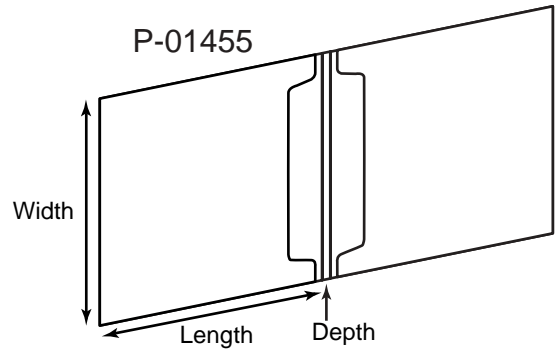
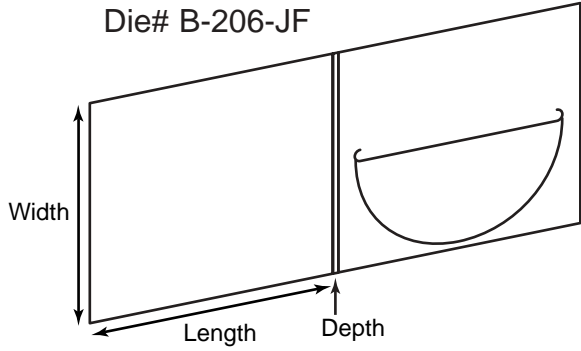
Die #	Length x Width x Depth	Description
B-184-JF	5-1/16 x 6-1/2 x 3/16	2-CD holder
P-01399	8 x 1-1/2 x 9-9/16	Double tuck box; built in insert holds 1 CD jewel case; B-434
B-190-JF	6-3/4 x 1-3/8 x 9-3/4	Double tuck box; built in insert holds 1 CD jewel case
P-01311	5-3/4 x 5-3/4	CD pack to hold 1 CD on black foam dot, business card slits; 0246
0310	5 x 5 x 1/4	CD mailer with detachable business reply card
B-198-JF	5-1/8 x 5-3/16 x 1/8	Single CD holder



Product Type: CD Mailer's and CD Holders

Die # Length x Width x Depth Description

Die #	Length x Width x Depth	Description
0316	5-1/16 x 4-7/8	CD mailer with zip strip holds single CD
P-01639	5-1/8 x 5-1/8 x 1/4	Double CD holder with thumb notches; B-205-JF, B-572
P-01409	5-11/16 x 5-5/16 x 1/8	Single CD holder with thumb notch; 0320, B-435-JF
0326	5-1/2 x 5-1/16 x 1/8	Four Panel, CD Zip-Strip Mailer with thumb notch; B-238-JF
P-01501	5-1/2 x 5-1/16 x 1/8	CD Zip-Strip Mailer, with thumb notch; 0496, B-487
P-01017	5-1/16 x 5	CD envelope with zip strip; 0334, B-208-JF
P-01753	5-1/16 x 5	CD Zip Strip Mailer; B-639
P-01361	5-1/2 x 5 x 3/16	CD holder with thumb notches and zip strip holds 2 CD's; 0327, B-417



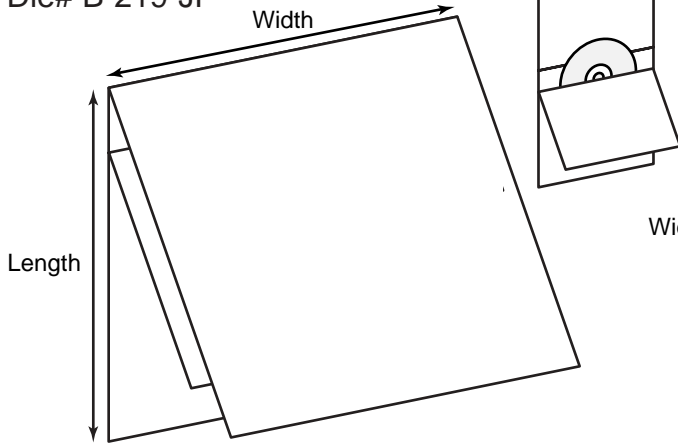
Product Type: CD Holders

Die # Length x Width x Depth Description

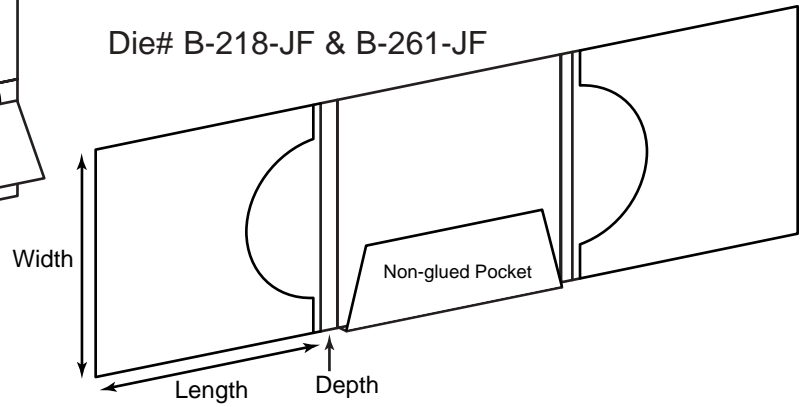
Die #	<i>Length x Width x Depth</i>	<i>Description</i>
B-206-JF	5-5/8 x 4-15/16 x 1/8	Holds single CD
P-01455	5-1/8 x 5-1/8 x 3/16	Holds 2 CD's; 0329, B-248-JF, B-451
P-01458	5-3/16 x 5-1/8 x 3/16	Holds 2 CD's; 2 folds; 0330, B-453-JF
P-01360	5-1/2 x 5 x 3/16	Holds 2 CD's; 0331, B-416
P-01055	5-7/16 x 5-1/8	Holds single CD; CD slides out as holder opens; 0386, B-212-JF
B-217-JF	5-3/4 x 5-1/8 x 3/16	Holds 3 CD's; with 2 folds

CD-36

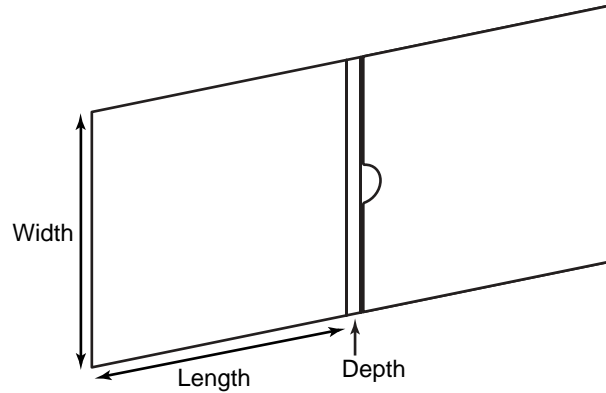
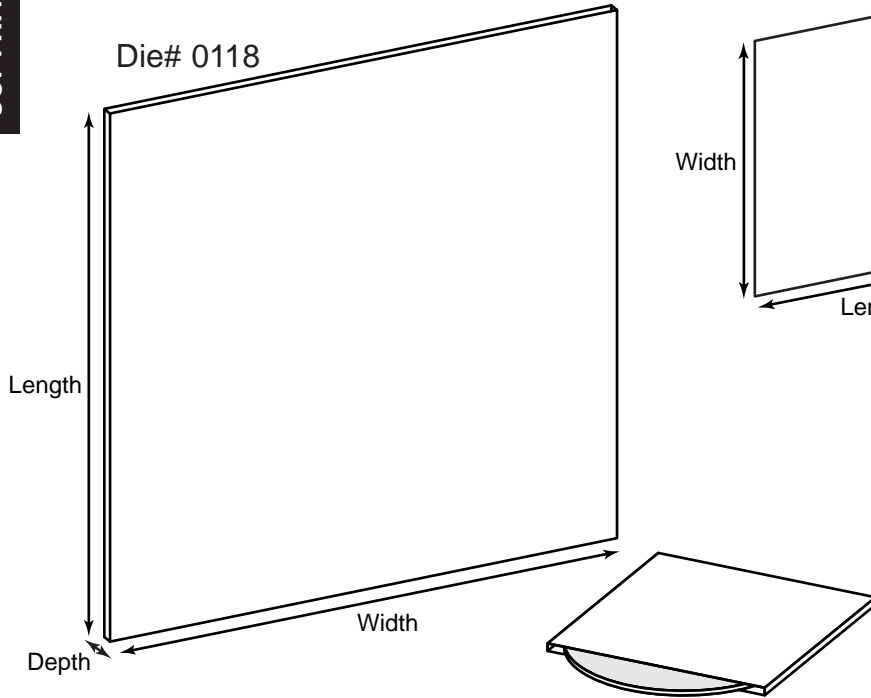
Die# B-219-JF



Die# B-218-JF & B-261-JF

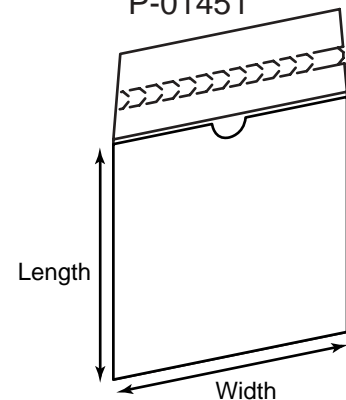


Die# 0118



P-01214
P-01240
P-01331
P-01338
P-01509
P-01716

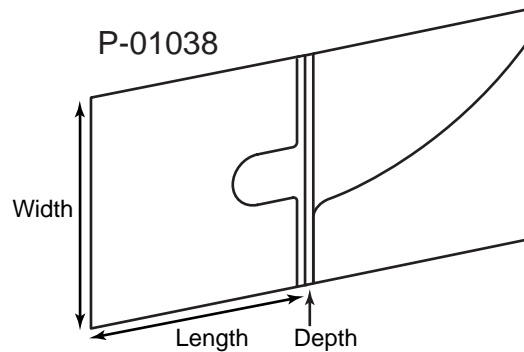
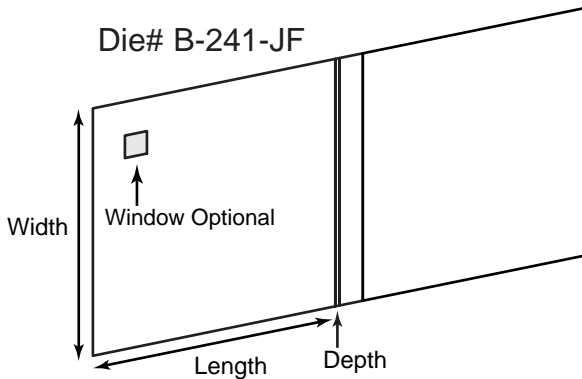
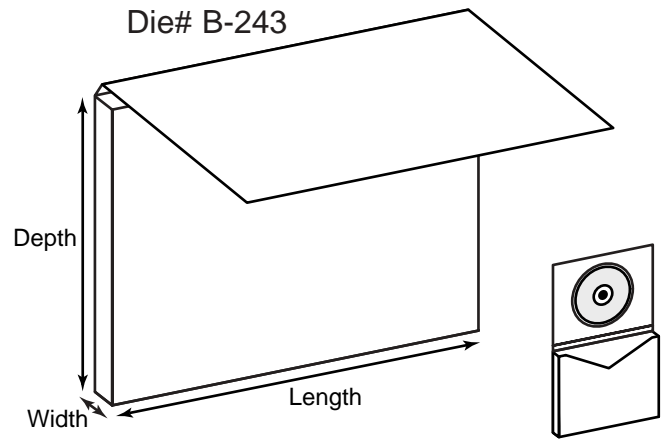
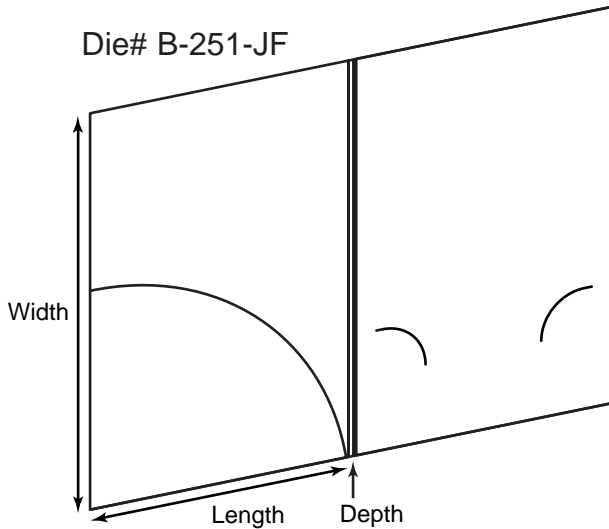
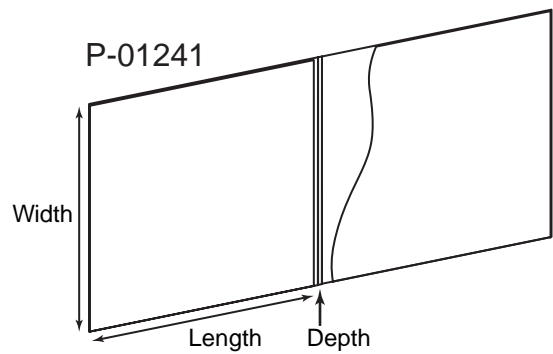
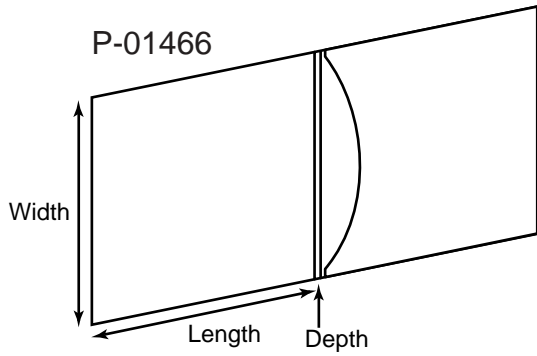
P-01451



Product Type: CD Holders, CD Mailer & Laser Disc Jacket

Die # Length x Width x Depth Description

B-219JF	8 x 8-1/16	CD holder with folded center panel
B-218-JF	5-1/16 x 5-1/16 x 3/8	Double CD holder with 1/4" capacity non-glued pocket; B-261-JF
0118	12-1/4 x 12-3/8 x 1/8	Laser disc jacket
P-01214	5-1/8 x 1/8 x 5-1/8	Single CD holder with thumb notch; 0408, B-371
P-01240	6 x 5-7/8 x 3/16	Single CD holder with thumb notch; B-381-JF
P-01331	5-3/16 x 5-1/16 x 1/8	Single CD holder with thumb notch; 0298, B-412, B-409-JF
P-01338	5-1/2 x 5 x 1/8	Single CD holder with thumb notch; 0509, B-410
P-01509	5-1/8 x 5 x 5/16	Single CD holder with thumb notch; 0498, B-224-JF
P-01716	5-3/16 x 5 x 1/4	Single CD holder with thumb notch; 0347, B-614
P-01451	5-1/4 x 5-5/16	CD mailer with zip strip and thumb notch; 0338, B-449



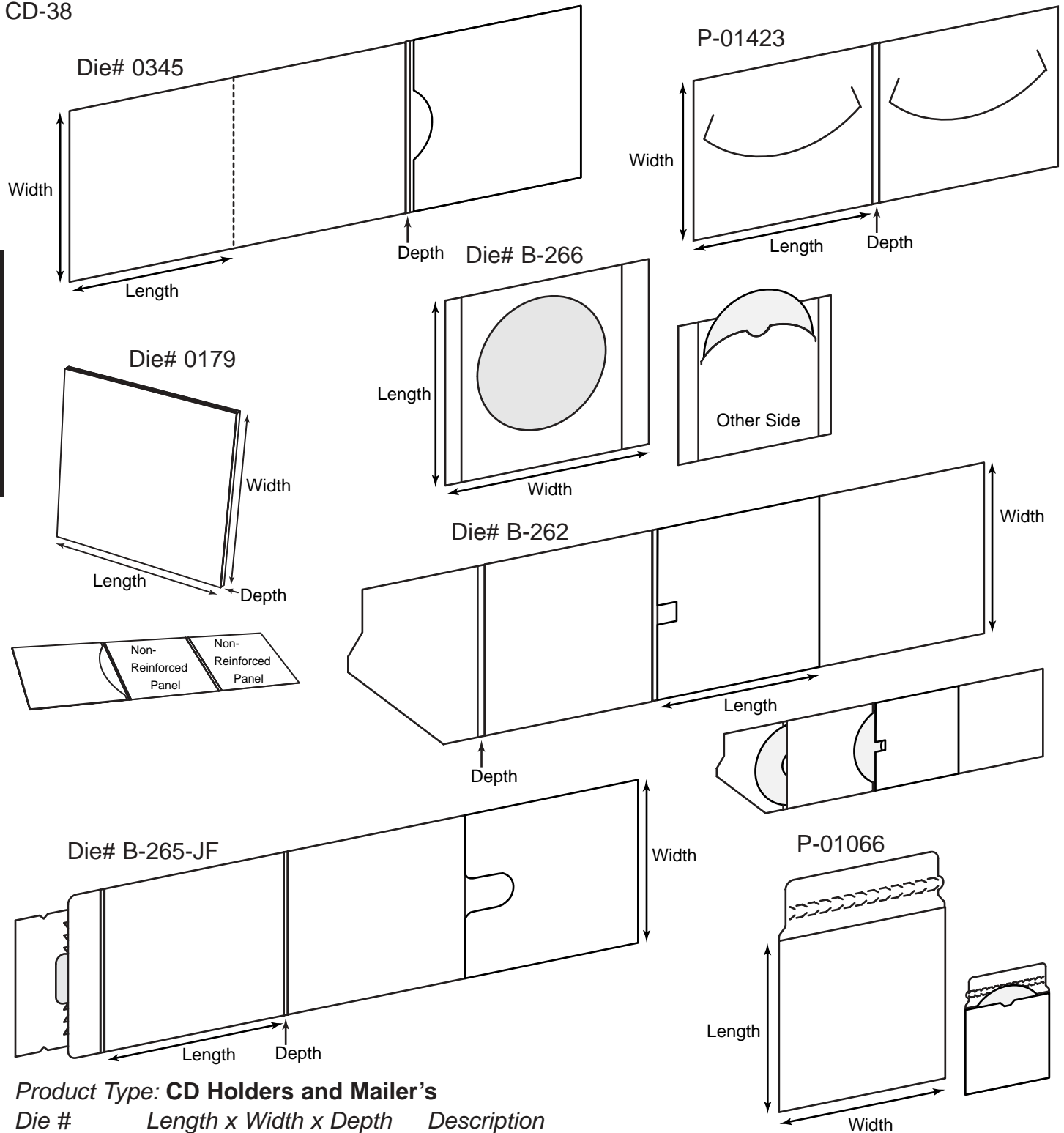
CD/DVD ROM • SOFTWARE • DISKETTE

Product Type: CD Holders

Die # Length x Width x Depth Description

Die #	Length x Width x Depth	Description
P-01466	5-1/16 x 5 x 3/16	Single CD holder with halfmoon pocket; 0487, B-235-JF, B-260
P-01241	5-3/16 x 5-1/16 x 1/8	CD mailer with wavy-cut pocket; 0413
B-251-JF	6 x 9 x 1/8	CD mailer; pocket and slots hold single CD or literature
B-243	8-7/16 x 1/2 x 6-3/4	CD mailer with 1/2" capacity pocket folder; foam dot holds a CD
B-241-JF	5-9/16 x 5-9/16 x 1/8	Single CD holder; available with or without window
P-01038	4-7/8 x 5-3/16 x 3/16	Holds 2 CD's; B-311-JF

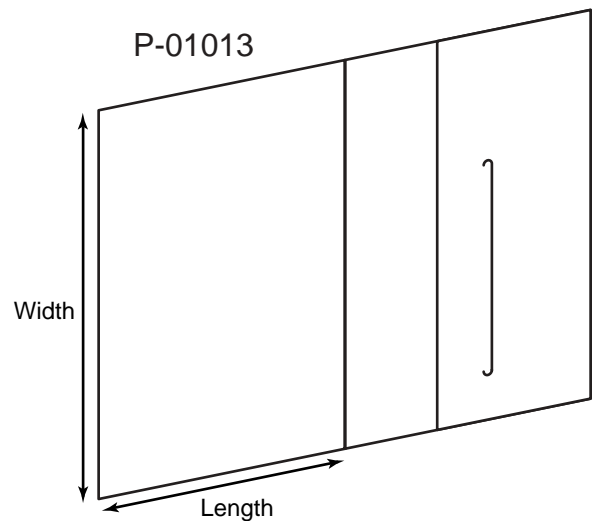
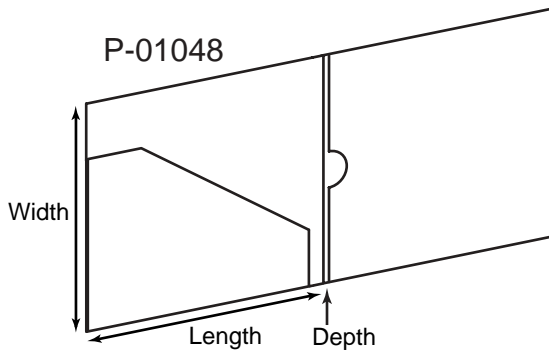
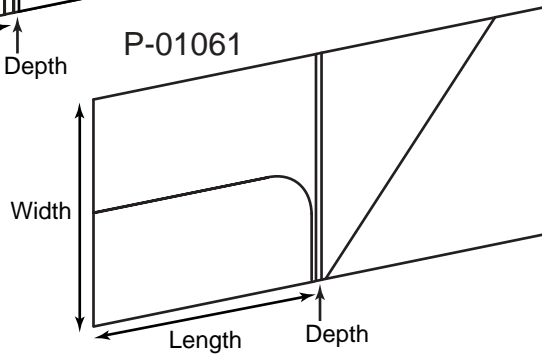
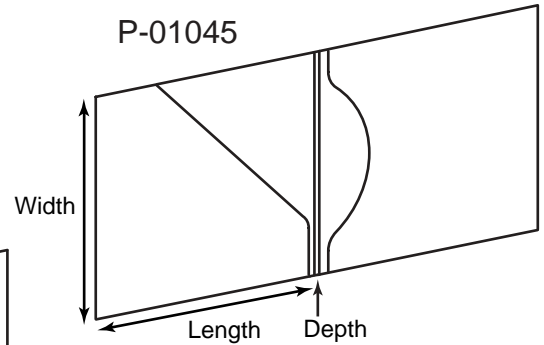
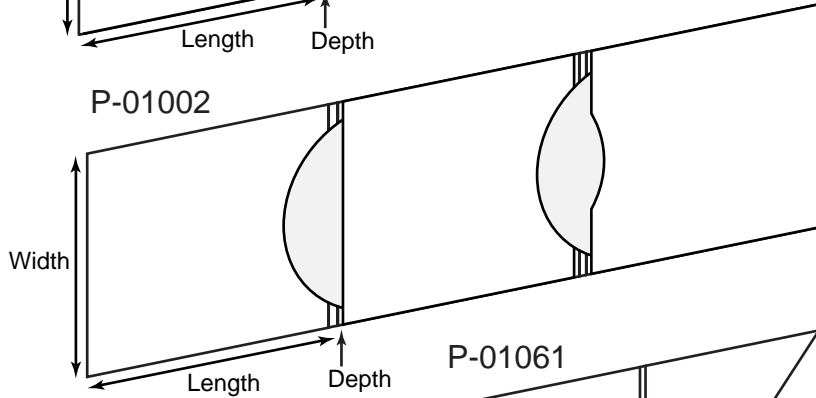
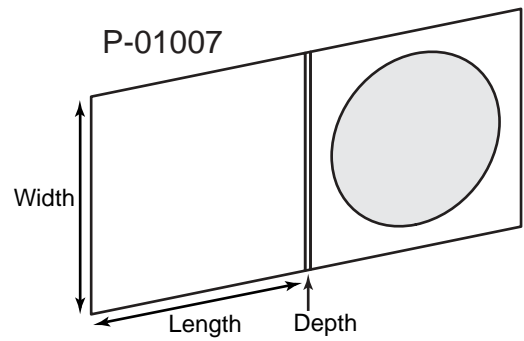
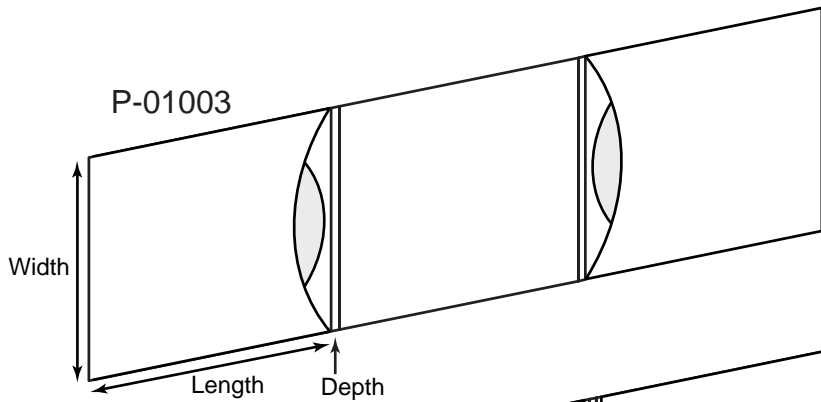
CD-38



Product Type: CD Holders and Mailer's

Die # Length x Width x Depth Description

Die #	Length x Width x Depth	Description
0345	5-3/8 x 5-1/4 x 1/8	Single CD holder; left panel is perforated
P-01423	5-9/16 x 4-7/8 x 3/16	2-CD holder; 0464, B-247-JF
0179	5-3/16 x 5 x 1/4	CD Pack with non-reinforced panels
B-266	5-5/8 x 5-5/8	Single CD sleeve with window
B-262	5-1/2 x 5-1/2 x 3/16	CD holder with angled tuck flap holds 1 or 2 CD's
P-01066	5-1/4 x 5-1/4	Single CD zip strip mailer; 0352, B-332-JF
B-265-JF	5-9/16 x 5 x 1/8	Three panel, single CD zip strip mailer



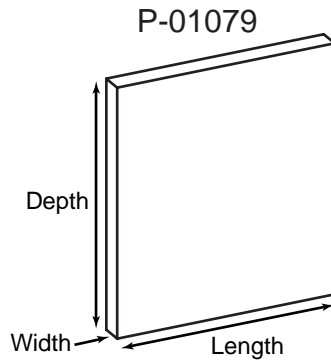
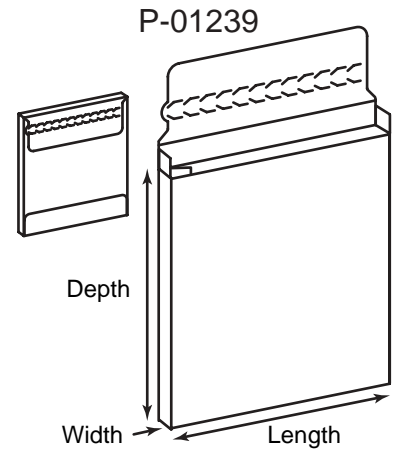
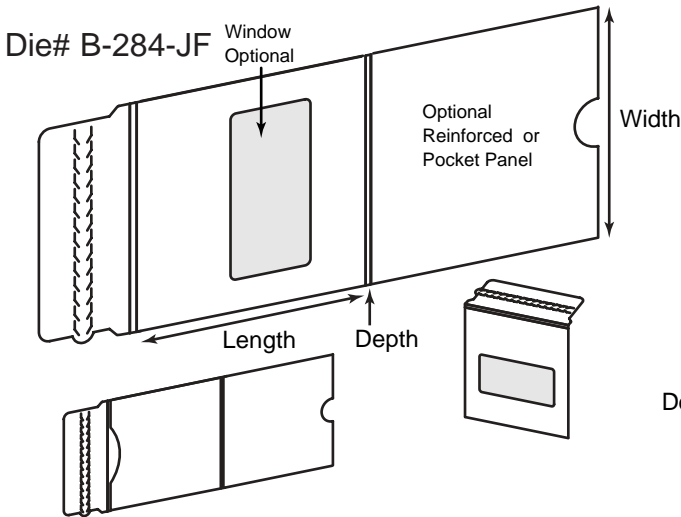
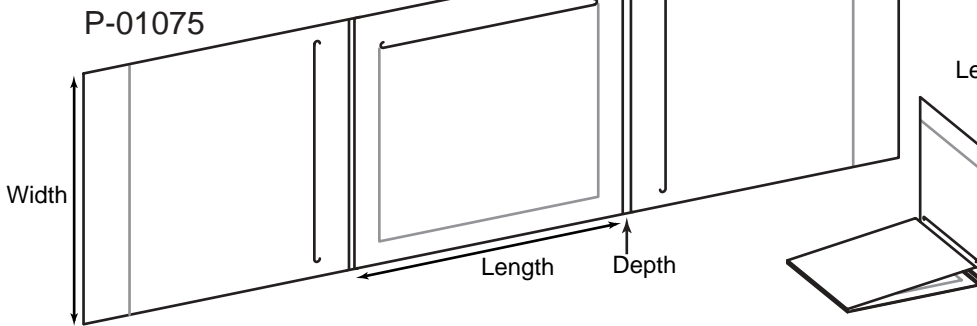
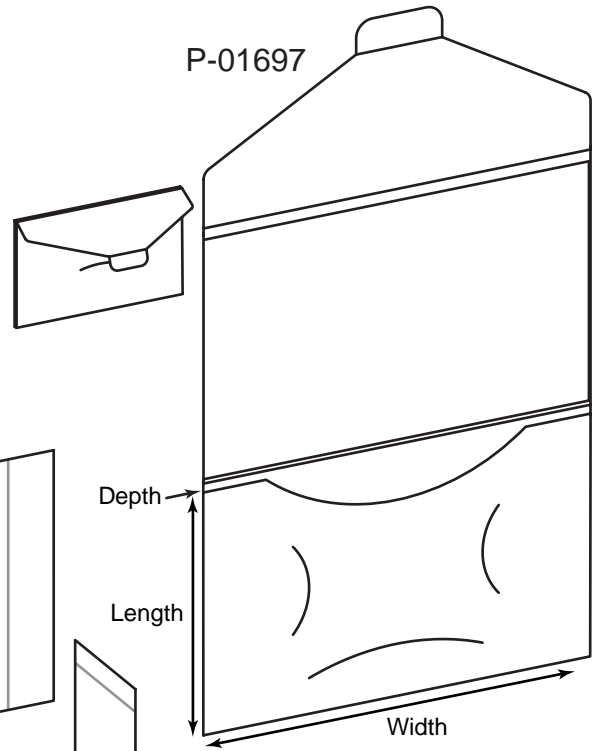
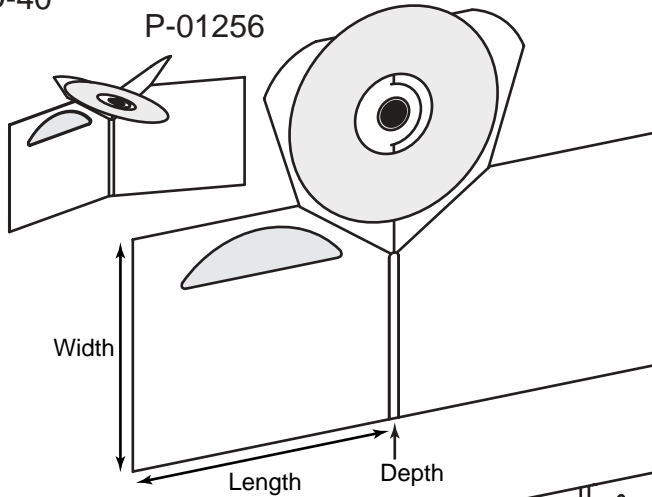
CD/DVD ROM • SOFTWARE • DISKETTE

Product Type: CD Holders

Die # Length x Width x Depth Description

Die #	Length x Width x Depth	Description
P-01003	5-1/2 x 5 x 1/4	Holds 2 CD's with optional 3rd CD pocket in center; B-290-JF
P-01007	4-15/16 x 4-15/16 x 1/8	Holds single CD with 3-7/8" window on inside; 0372
P-01002	5-15/16 x 5 x 3/16	Three Panel CD Mailer; 1 super panel, 2 CD panels; 0454, B-288-JF
P-01045	5 x 5 x 1/8	Holds 2 CD's; 0514, B-316-JF
P-01061	5-1/16 x 5-1/16 x 1/8	Holds 2 CD's; B-328-JF
P-01048	5-3/16 x 5-1/4 x 1/4	Holds 2 CD's; 0384, B-477-JF
P-01013	5-5/8 x 8-3/4	Holds single CD and has 3-1/2" pocket; 0375

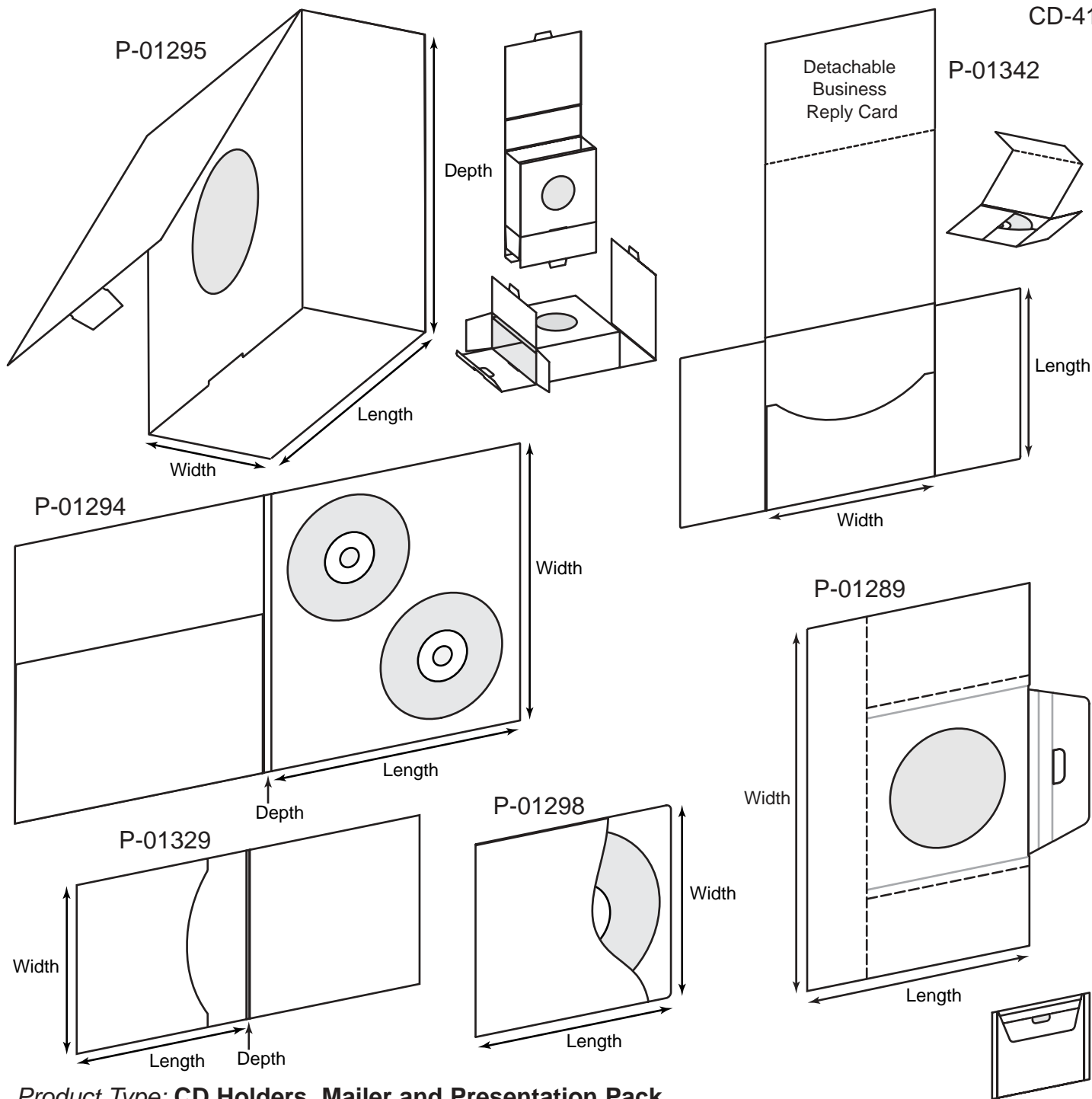
CD-40



Product Type: **CD Mailer's**

Die # Length x Width x Depth Description

Die #	Length x Width x Depth	Description
P-01256	5-15/16 x 5-1/4 x 1/8	Pop-up single CD mailer with window in front panel; 0267, B-097-JF
P-01697	9 x 5-5/8 x 1/8	Holds single CD in slits on pocket; wrap around tuck tab closure; B-283-JF
P-01075	6-1/8 x 5-5/8 x 3/16	Holds 3 CD's; B-337-JF
B-284-JF	5-3/16 x 5-1/8 x 1/8	Zip strip mailer; can hold 2 CD's, right panel is optional reinforced or pocket panel
P-01239	5 x 1/2 x 5-5/8	Zip strip CD jewel case mailer; 0412, B-592
P-01079	5 x 1/2 x 5-5/8	Zip strip CD jewel case mailer; 0392



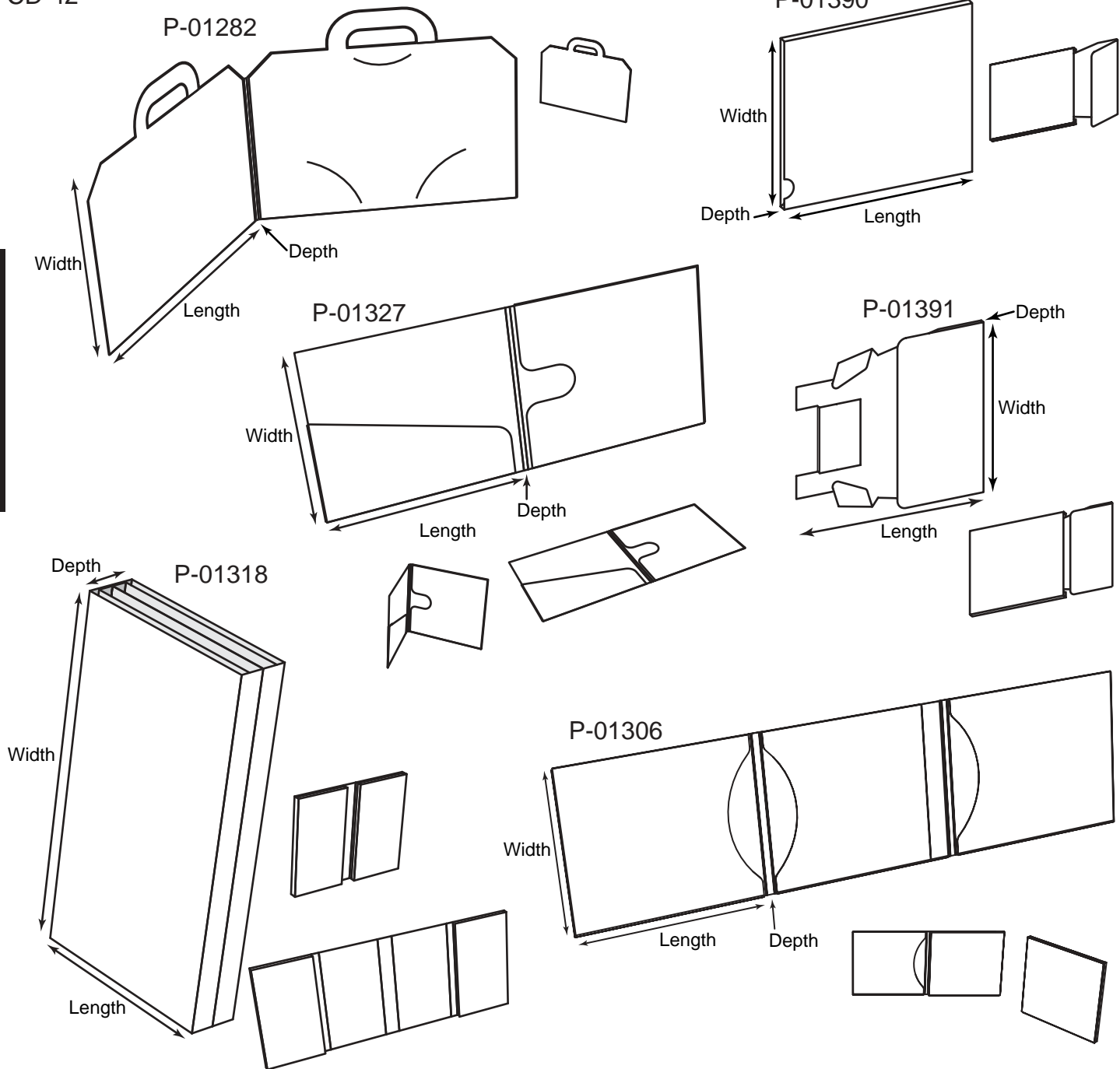
CD/DVD ROM • SOFTWARE • DISKETTE

Product Type: CD Holders, Mailer and Presentation Pack

Die # Length x Width x Depth Description

Die #	Length x Width x Depth	Description
P-01295	9-3/8 x 3-13/16 x 8-7/8	Presentation pack with fold over flap and; 1/2" partition supports 2-CD pack P-01294 ; B-394
P-01342	5 x 5	Holds 1 CD and business reply card; 0434
P-01294	9 x 8-1/4 x 1/4	Holds 2 CD's with 6" pocket; fits in P-01295; B-393-JF
P-01289	6-3/4 x 10-3/4	Single CD sleeve and detachable flaps- designed to bind or stitch into magazine or catalog; B-390-JF
P-01329	5-1/8 x 5 x 1/8	Holds 1 CD; B-408-JF
P-01298	5-11/16 x 4-1/2	Single CD sleeve; 0424

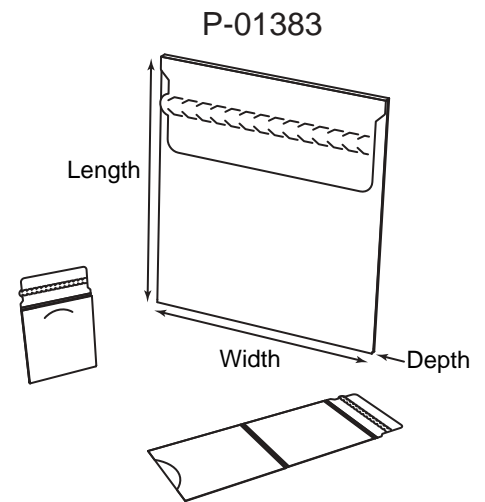
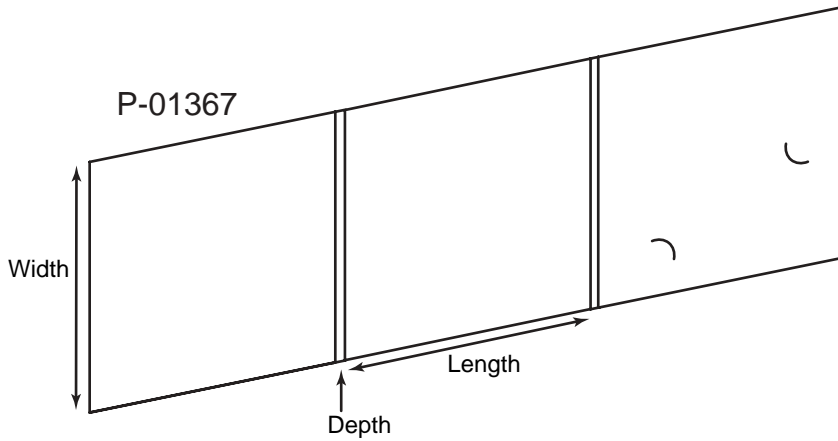
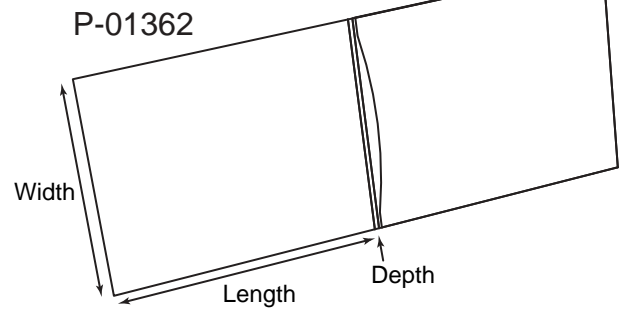
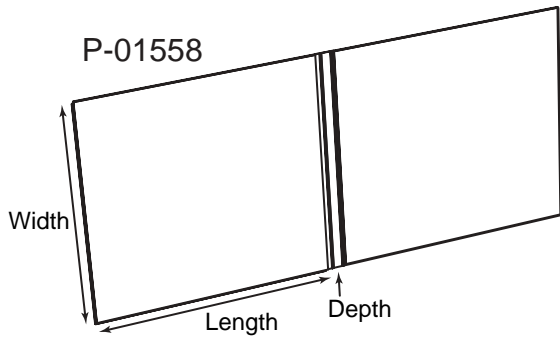
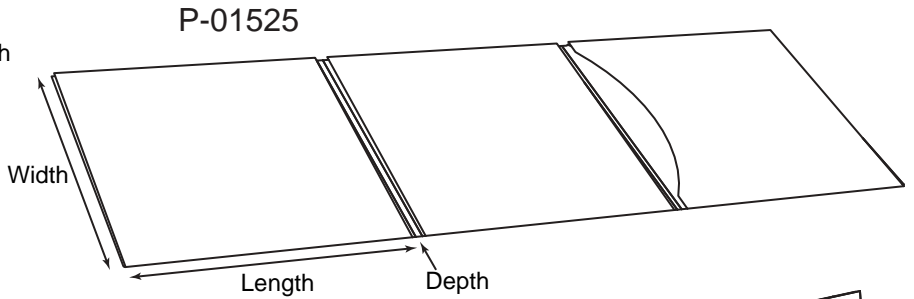
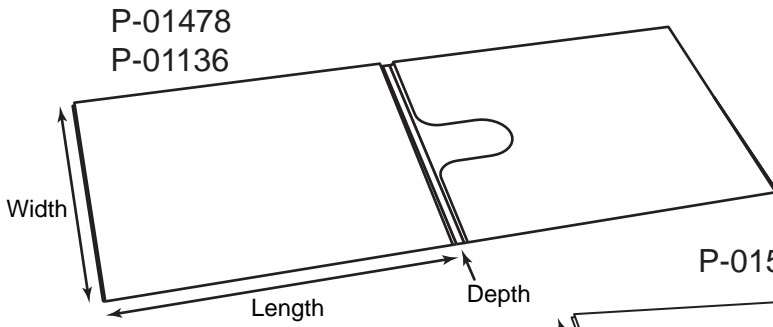
CD-42



Product Type: CD Pack

Die # Length x Width x Depth Description

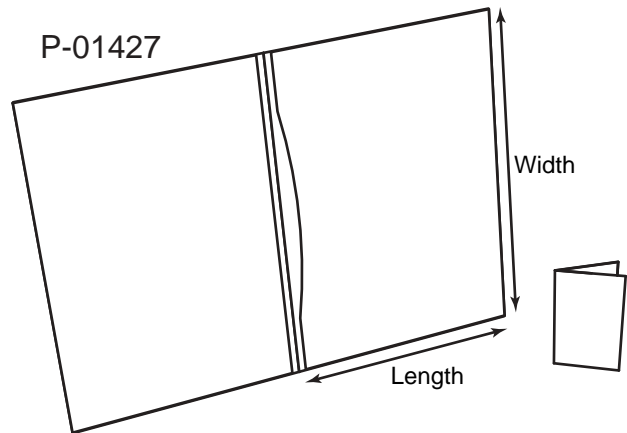
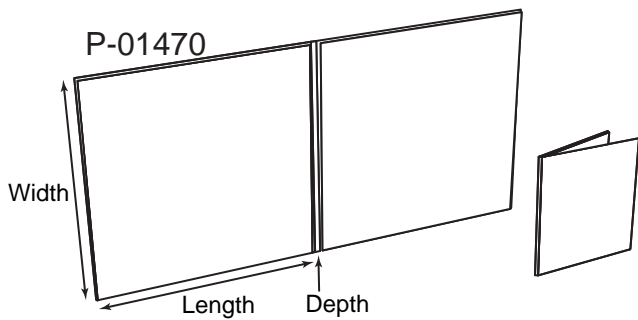
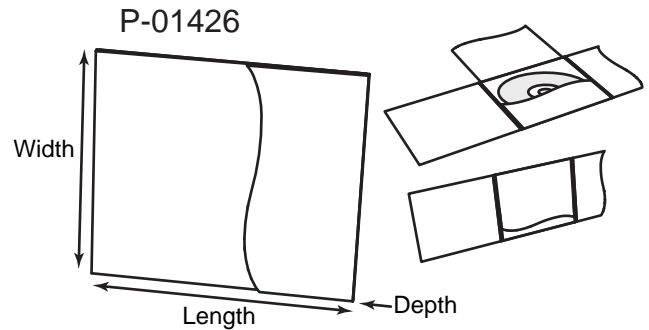
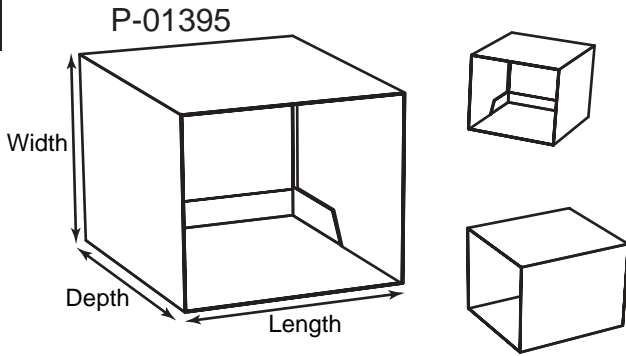
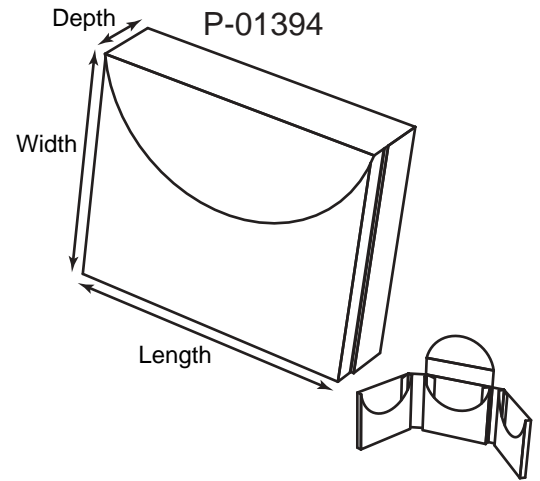
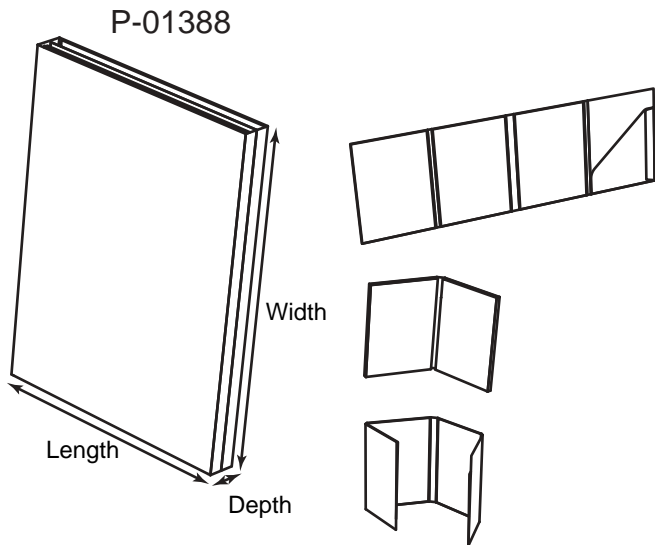
<i>Die #</i>	<i>Length x Width x Depth</i>	<i>Description</i>
P-01282	8 x 5-1/2 x 1/8	CD pack with handle, holds 1 CD; B-385-JF
P-01318	5-9/16 x 10-1/8 x 1-3/8	Multi-panel, 12 CD/DVD Pack. Use foam dots or plastic hubs; B-406
P-01390	5-9/16 x 4-7/8 x 1/4	CD Sleeve uses Insert 0448; 0447
P-01391	4-3/4 x 4-7/8 x 1/8	Insert to hold 1 CD, slides into 0447; 0448
P-01306	5-1/2 x 5 x 1/4	Three Pocket CD pack with half moon cuts. SCI Fidelity Records; 0426, B-413
P-01327	5-9/16 x 5-1/16 x 1/8	CD pack, one side for a CD and the other side for literature; 0433, B-657



Product Type: CD Packs and CD Mailer

Die # Length x Width x Depth Description

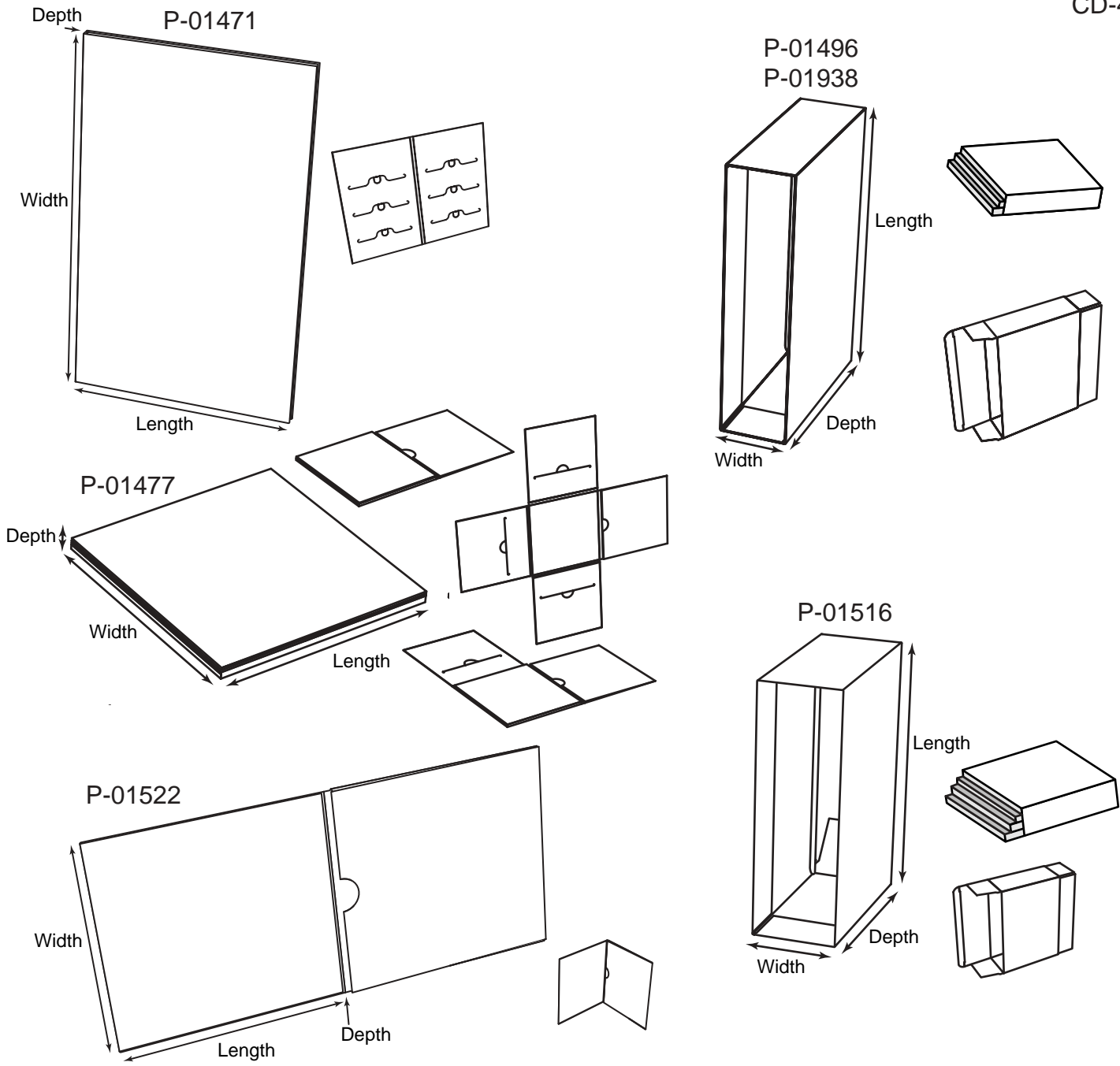
Die #	Length x Width x Depth	Description
P-01478	5-9/16 x 5-1/16 x 1/8	Single CD mailer with thumb notch; 0491, B-466-JF, B-586
P-01136	5-1/2 x 5 x 1/8	Single CD mailer with thumb notch; B-361
P-01525	5-7/16 x 5-3/16 x 3/16	Three panel CD mailer. with one-half moon pocket and 2 super panels; 0503
P-01558	5-1/2 x 5 x 1/4	Two panel CD mailer; 0512
P-01362	5-9/16 x 4-15/16 x 1/8	Three panel CD mailer with opening on outside of sleeve; B-418
P-01367	5-5/8 x 5-5/8 x 5/16	Three super panel piece for CD's; B-422-JF
P-01383	5-1/2 x 5 x 1/8	CD Zip Strip mailer with half moon pocket and a rounded slit for tucking; B-426-JF



Product Type: CD Packs and CD Mailer

Die # Length x Width x Depth Description

P-01388	5-5/8 x 7-1/2 x 5/16	CD mailer has 3 super panels and 1 pocket; B-427-JF
P-01394	5-3/4 x 4-15/16 x 1-7/16	CD mailer holds 3 CD jewel cases; B-430
P-01395	5-1/16 x 4-3/16 x 5-5/8	CD pack holds 10 jewel cases; B-431
P-01426	5-9/16 x 5 x 1/8	Single CD mailer with 2" deep wavy CD pocket; B-441
P-01470	5-1/8 x 5 x 1/8	Two panel CD mailer; B-461
P-01427	5 x 7-1/2	CD mailer with a half moon pocket. The other side is a super panel.; B-442

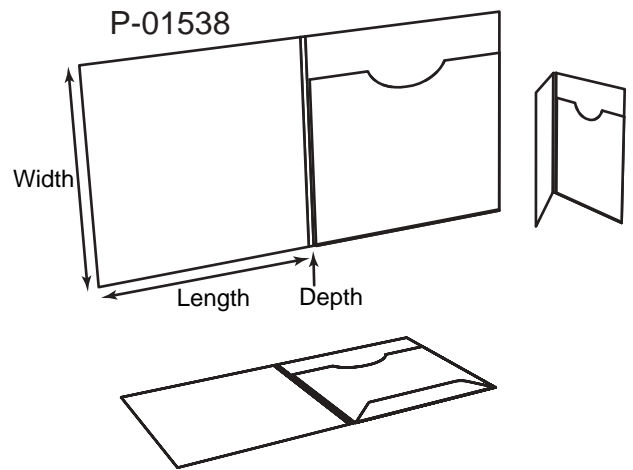
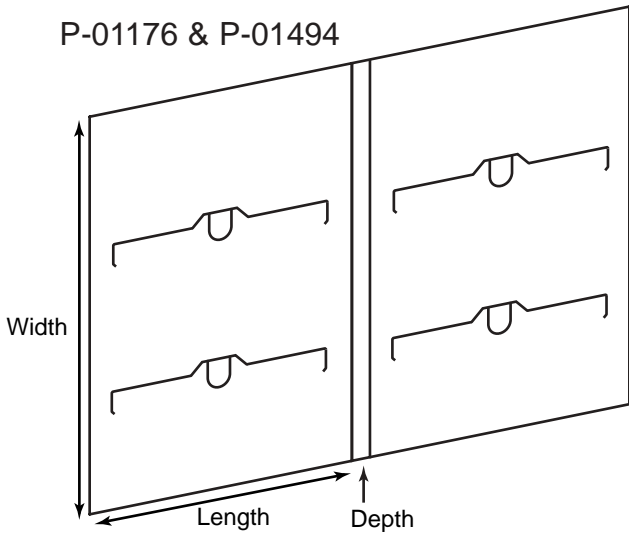
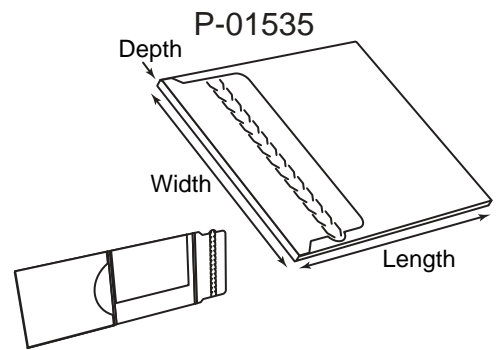
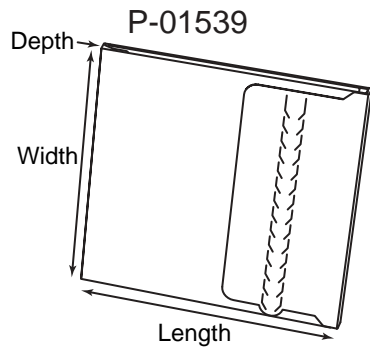
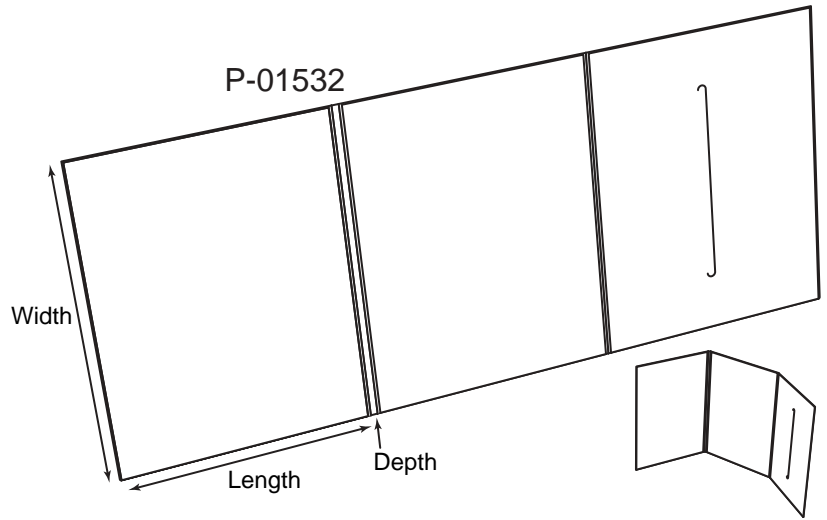
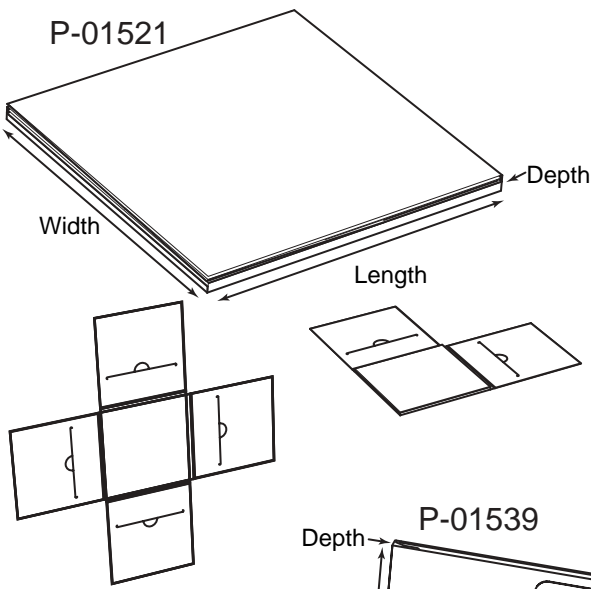


Product Type: CD Packs and CD Mailer

Die # Length x Width x Depth Description

Die #	Length x Width x Depth	Description
P-01471	10 x 6-1/8 x 1/4	Six CD pack has removable blocks options for customers choice; glues different than similar pieces; B-462
P-01496	7-5/8 x 1-7/8 x 5-7/16	3 DVD Soft Slip case, point-of-purchase display (side load) to for amaray cases; B-481
P-01938	7-5/8 x 1-7/8 x 5-7/16	3 DVD Soft Slip case, side load amaray cases; B-749
P-01477	6 x 6 x 5/16	4 Fold CD Pack Mailer, with 1 thumb notch pocket and 3-CD slit pockets, (Hand Tape Only.) ; B-465
P-01516	7-5/8 x 2-1/2 x 5-7/16	4 DVD Soft Slip case, point-of-purchase display (side load) to for Amaray cases; B-497
P-01522	6 x 5-7/8	CD mailer with fold over super panel; B-502

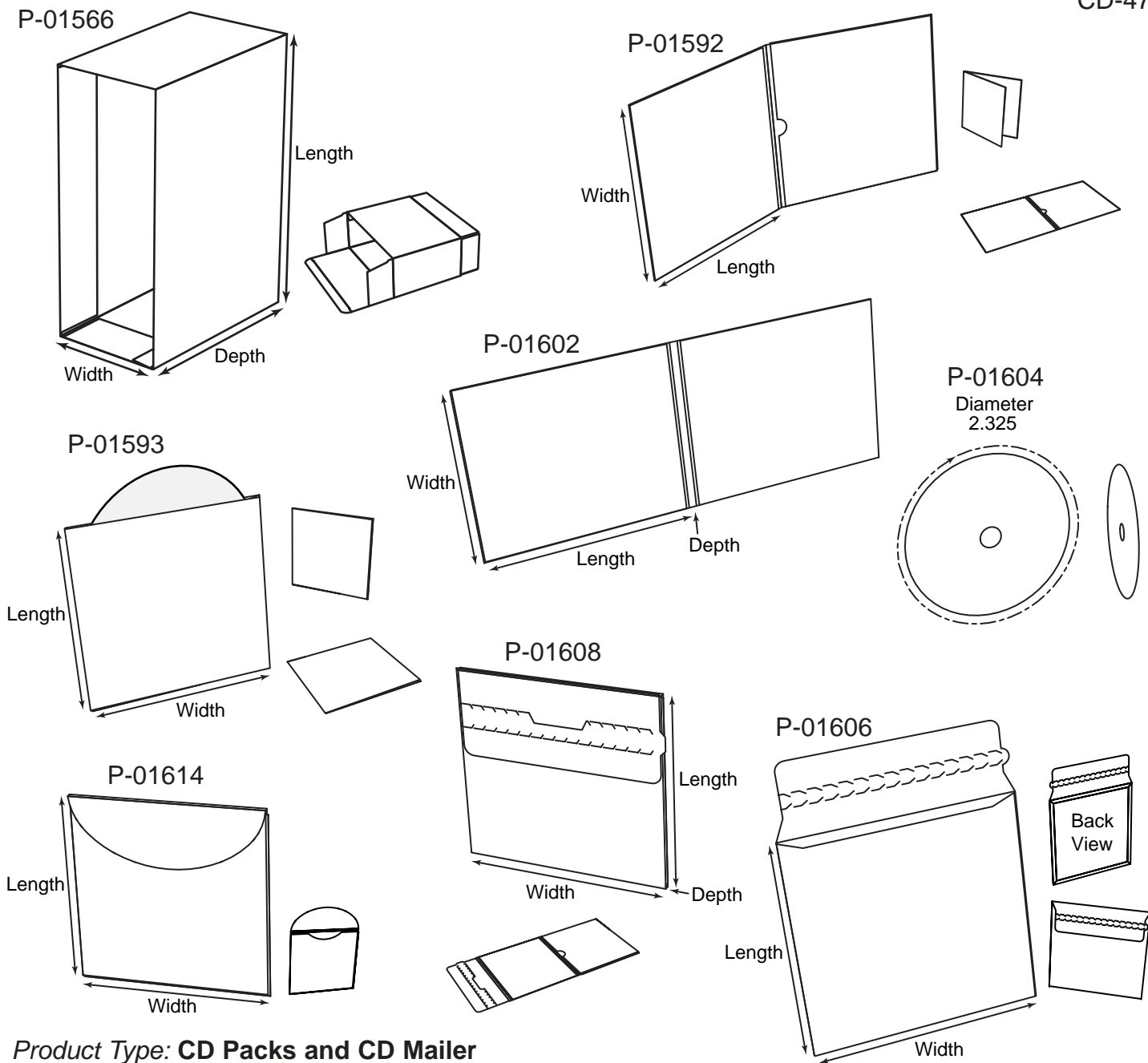
CD-46



Product Type: CD Packs and CD Mailer

Die # Length x Width x Depth Description

P-01521	6 x 6 x 5/16	4 CD envelope; B-501
P-01532	5-1/2 x 7-3/8 x 3/16	6 panel with a slit for a CD; B-508
P-01539	5-1/4 x 5-3/16 x 1/4	Bounce back CD mailer. Zip Strip on both ends; B-514-JF
P-01535	5-1/2 x 5 x 1/8	CD mailer with business reply and Zip Strip; B-511
P-01176	6 x 8-13/16 x 1/4	CD holder with 4 removable CD slots; 0260, I-389, B-051
P-01494	5-3/4 x 9 x 1/4	CD holder with 4 removable CD slots; B-197-JF, B-478
P-01538	5 x 5 x 1/8	Designed to hold a raw CD in pocket.; B-513

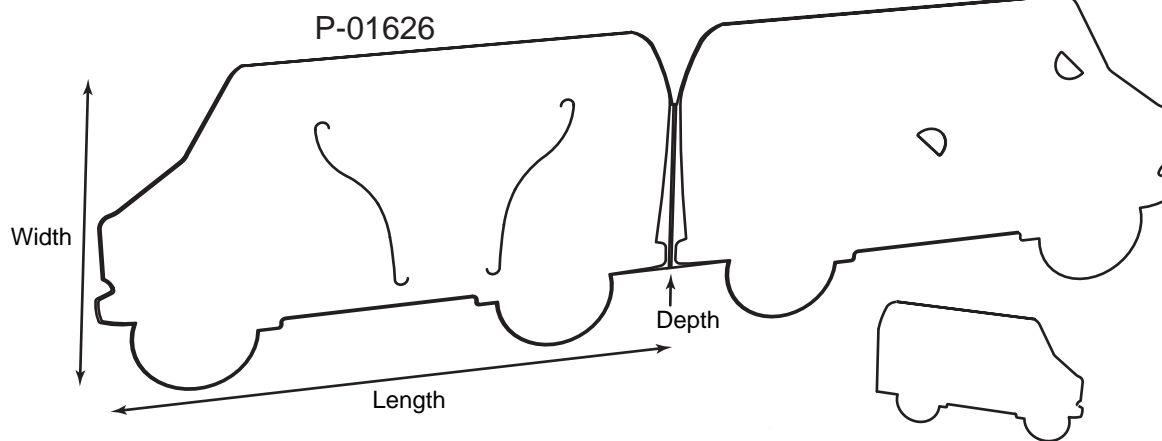
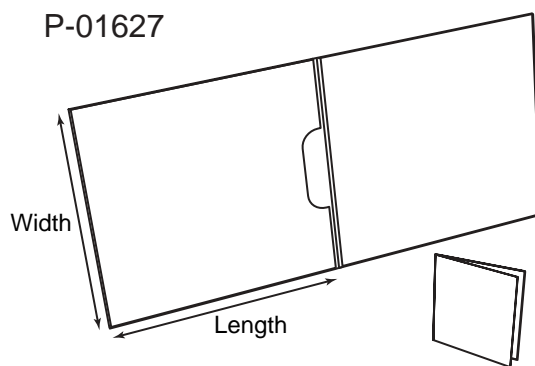
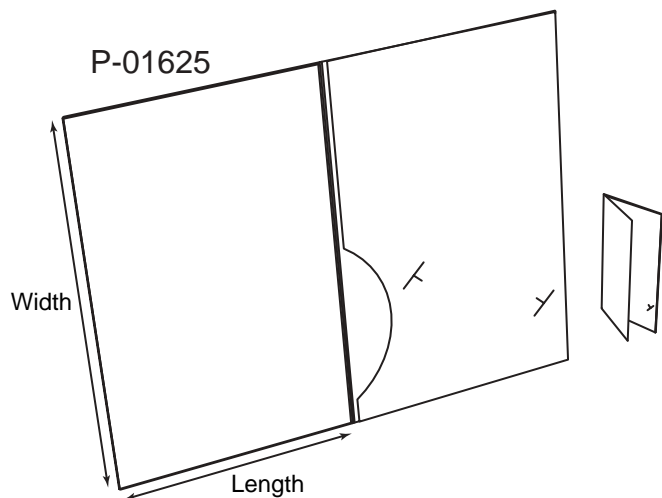
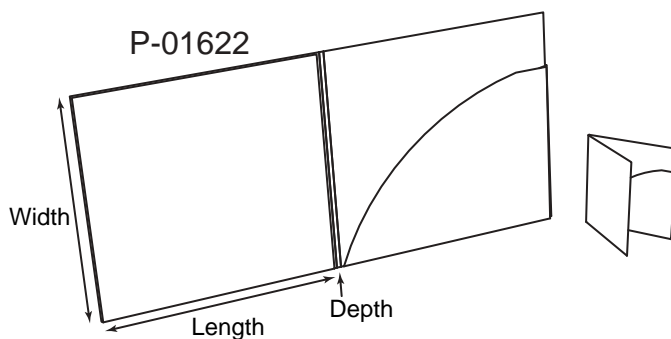
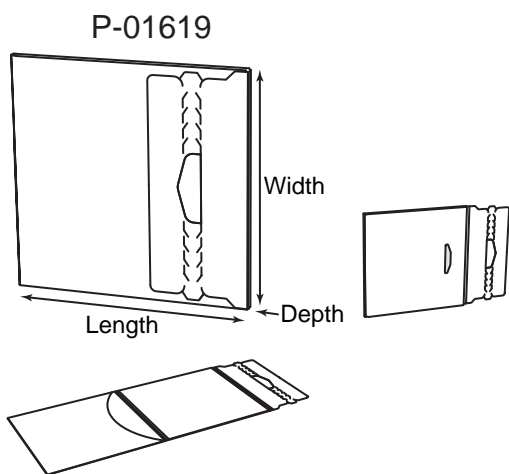


Product Type: CD Packs and CD Mailer

Die # Length x Width x Depth Description

Die #	Length x Width x Depth	Description
P-01566	7-5/8 x 3-1/8 x 5-7/16	Single tuck slip case holds 5 DVD Amaray cases; B-527-JF, B-633
P-01592	5 x 5-1/16	CD pack with a 1/2" half moon cut out on pocket; B-541-JF
P-01593	5 x 5	Standard CD sleeve; B-542-JF
P-01602	5-1/2 x 4-15/16 x 1/4	4 panel for Digipak; 0526
P-01604	4-11/16 x 4-11/16	CD/DVD with center hole (outside 2.325" radius / inside 19/64" radius); 0614, B-550
P-01606	6-1/16 x 6	Holds up to 5 sleeved CD's, with expansion score 1/4" inside the perimeter; B-552
P-01608	5-3/16 x 5-5/16 x 1/8	CD mailer with handy tuck tab for re-use; B-554-JF
P-01614	5-1/16 x 5-1/16	CD mailer with round top; 0531

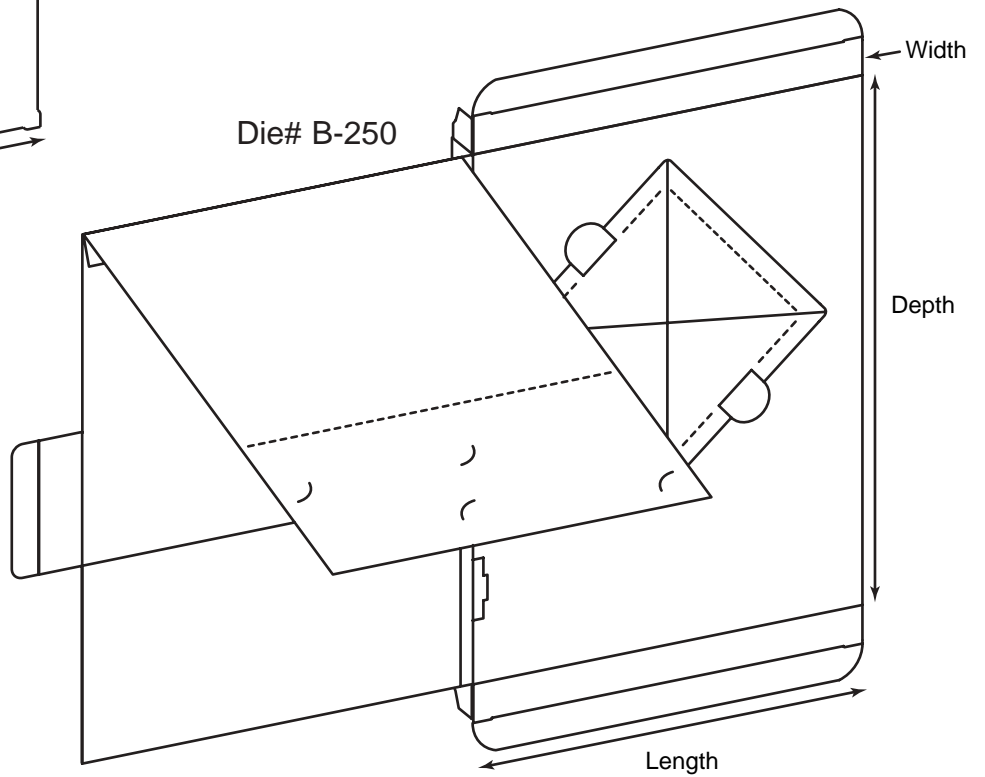
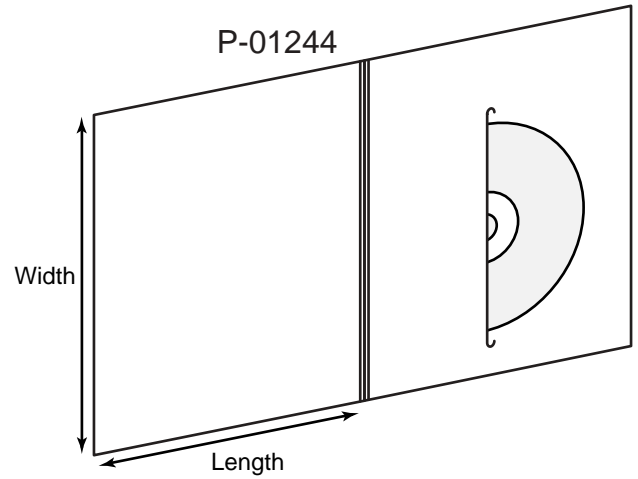
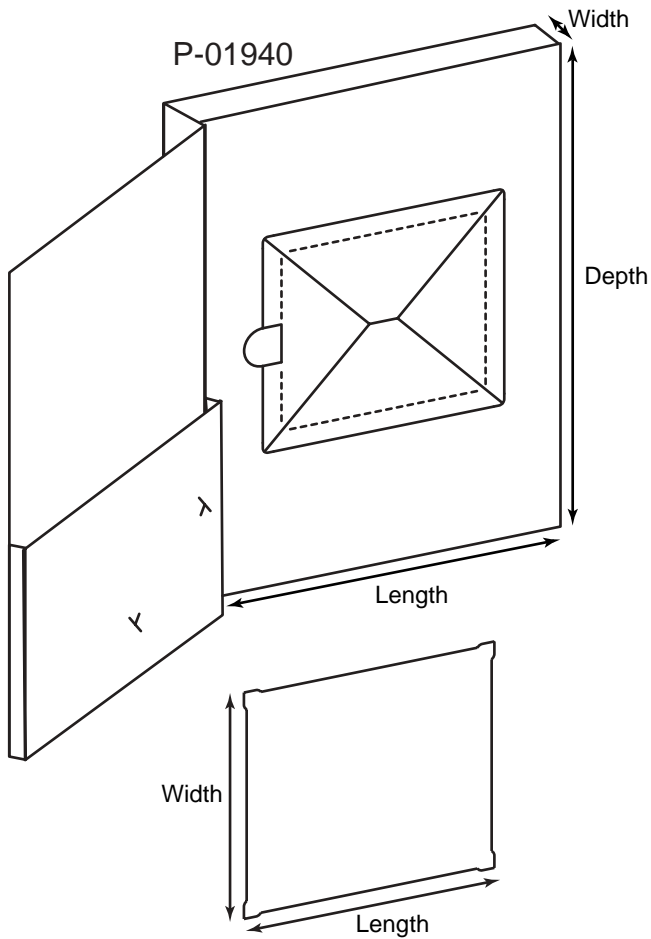
CD-48



Product Type: CD Packs and CD Mailer

Die # **Length x Width x Depth** **Description**

Die #	Length x Width x Depth	Description
P-01619	5-3/16 x 5-1/8 x 1/8	Single CD Zip strip mailer; 0533
P-01622	5-1/8 x 5 x 1/8	Single pocket with 1 super panel; 0535
P-01625	5-1/4 x 8-1/2	CD mailer is designed for a full size CD with BC slits on pocket; 0536
P-01627	5 x 5	2 panel single CD mailer; 0537, B-640
P-01626	6-5/8 x 11 x 1/8	Van Shaped CD mailer with BC slits; B-566-JF



CD/DVD ROM • SOFTWARE • DISKETTE

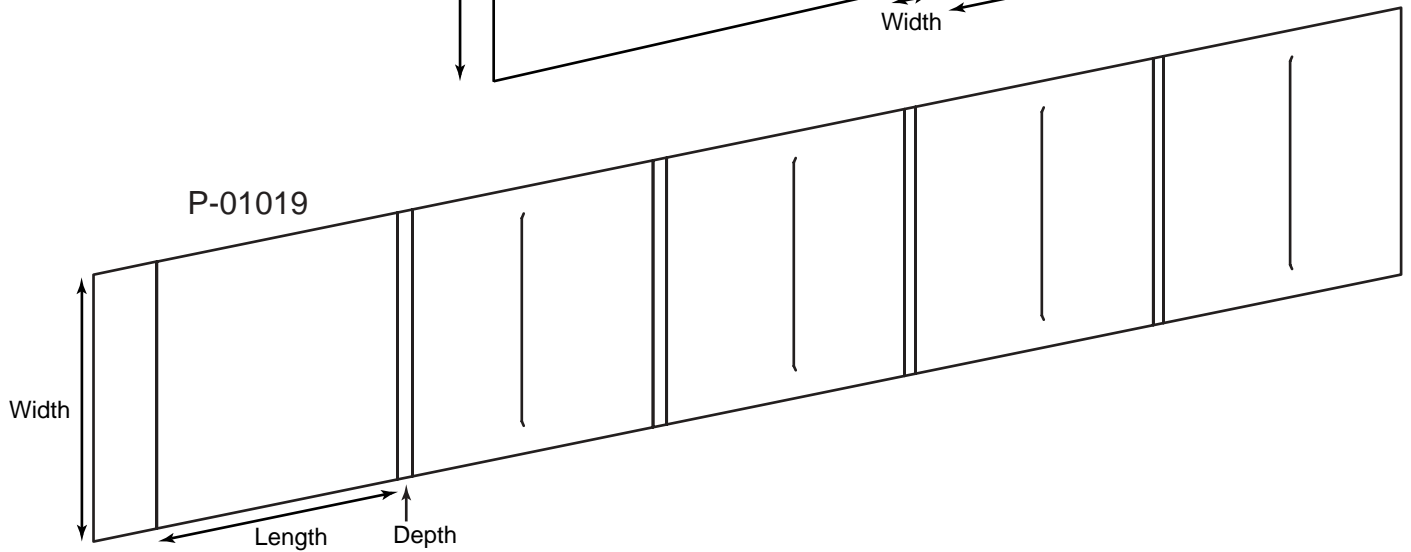
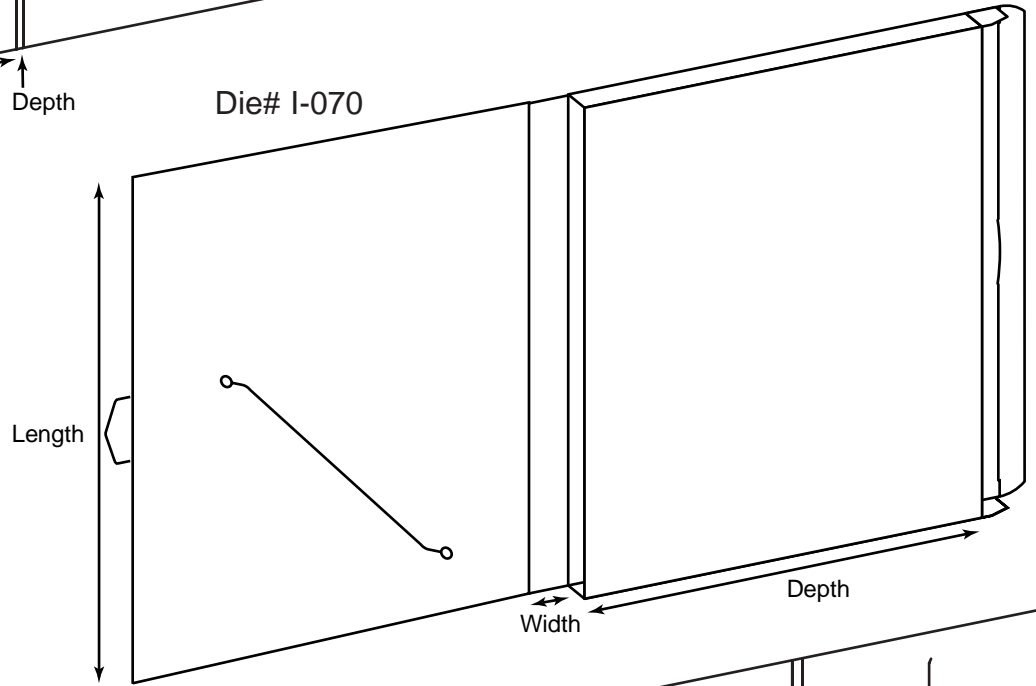
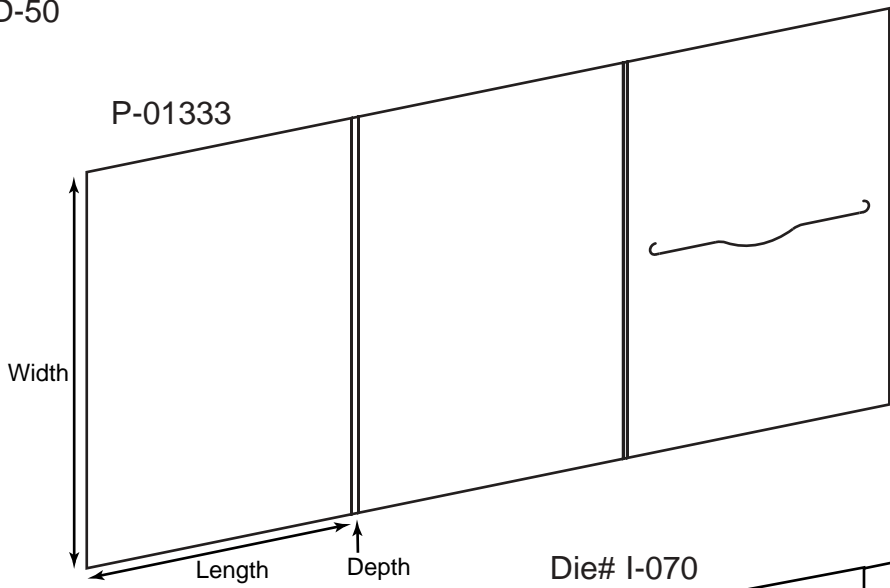
Product Type: CD Presentation Packs and CD Mailer

Die # Length x Width x Depth Description

P-01940	8-5/8 x 1 x 11-3/16	Holds 1 CD jewel case; removable business card slits on capacity pocket; B-273-JF
B-250	9 x 1 x 12	Holds 1 CD jewel case with access slit at bottom; left panel has pocket and optional full flap with perforation
P-01244	6 x 7-3/4 x 1/8	Wallet fold CD mailer with 1 off-center slit; 0415

CD-50

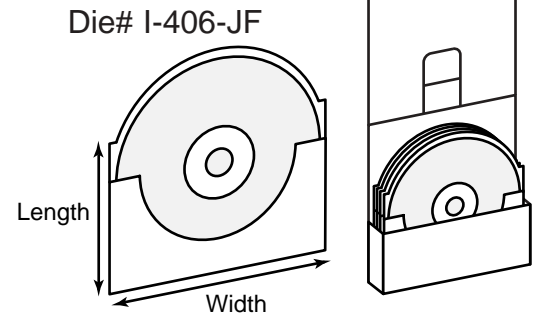
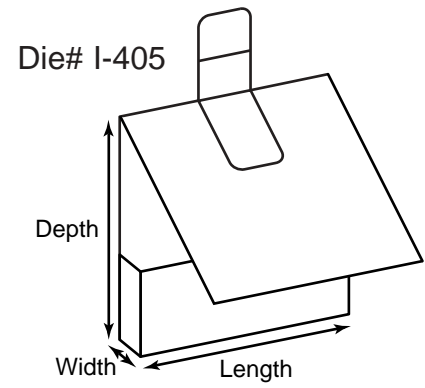
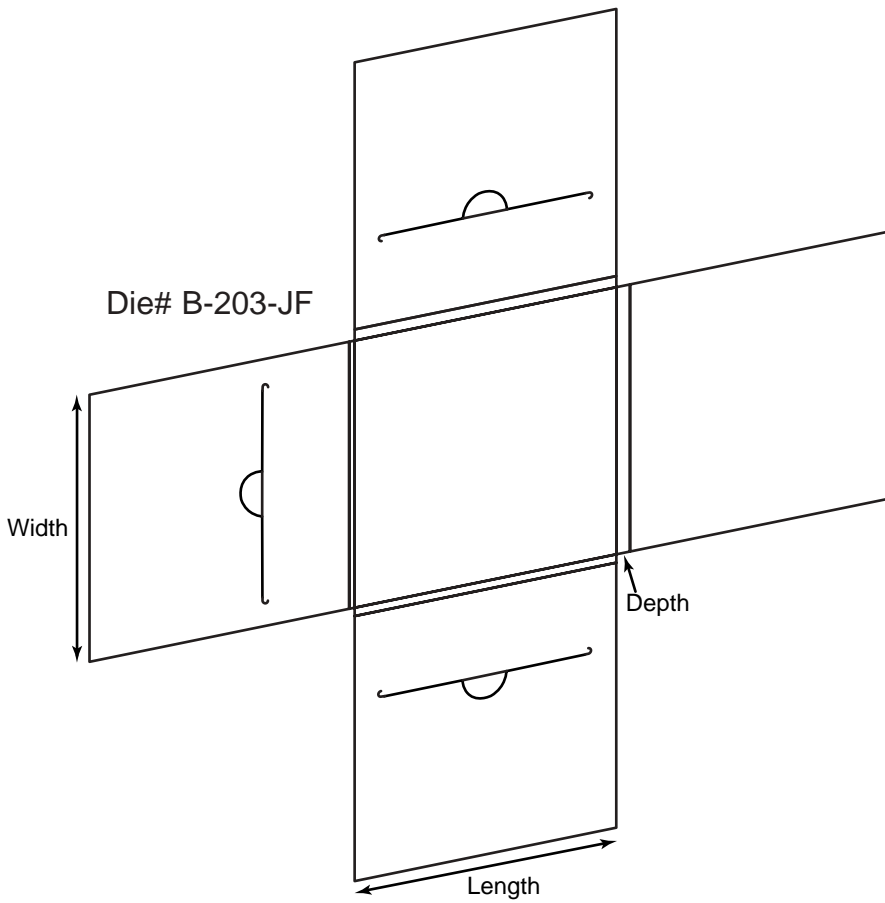
CD/DVD ROM • SOFTWARE • DISKETTE



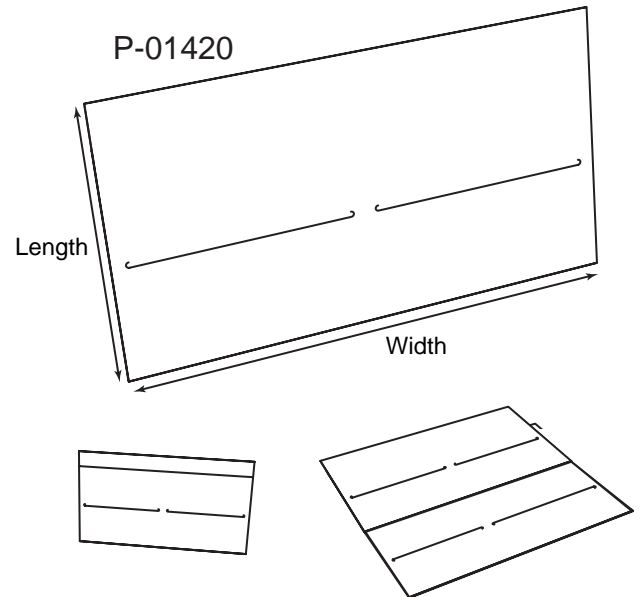
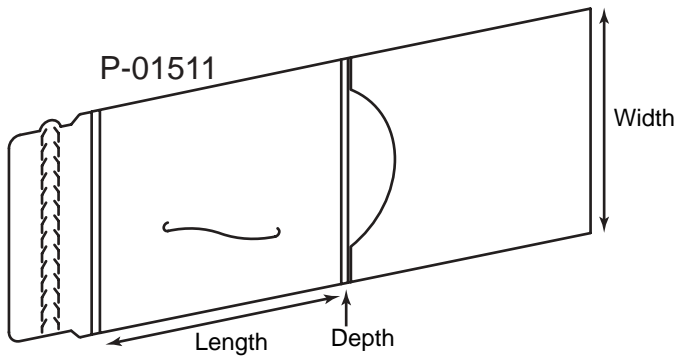
Product Type: CD Holders and Presentation Packs

Die # Length x Width x Depth Description

P-01333	6-1/8 x 8-15/16 x 1/8	CD mailer for single CD; B-116-JF
I-070	11-1/2 x 13/16 x 9-1/2	Holds single CD; capacity pocket on right
P-01019	5-5/8 x 6 x 1/4	Three CD mailer and one slit for brochure; B-302



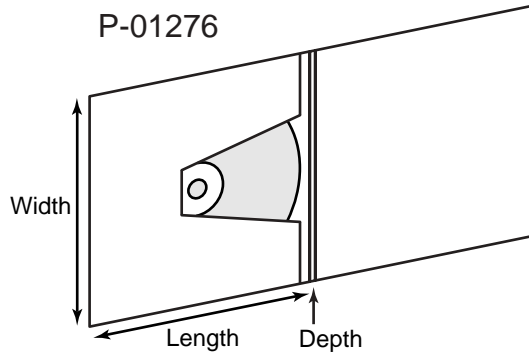
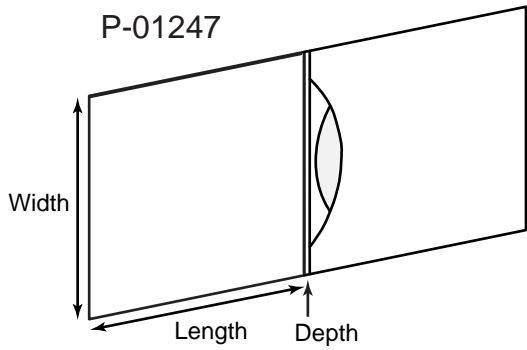
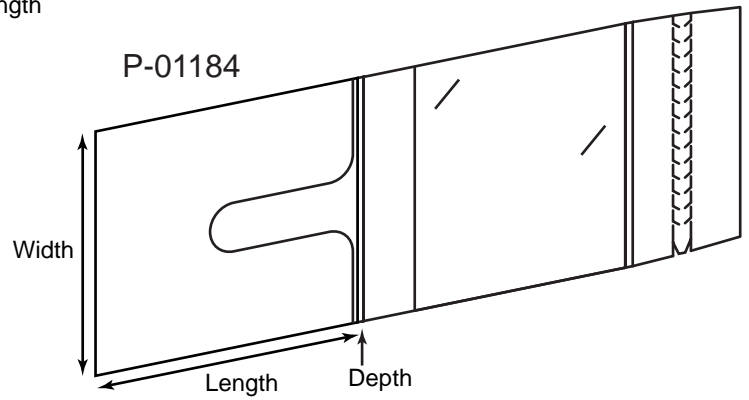
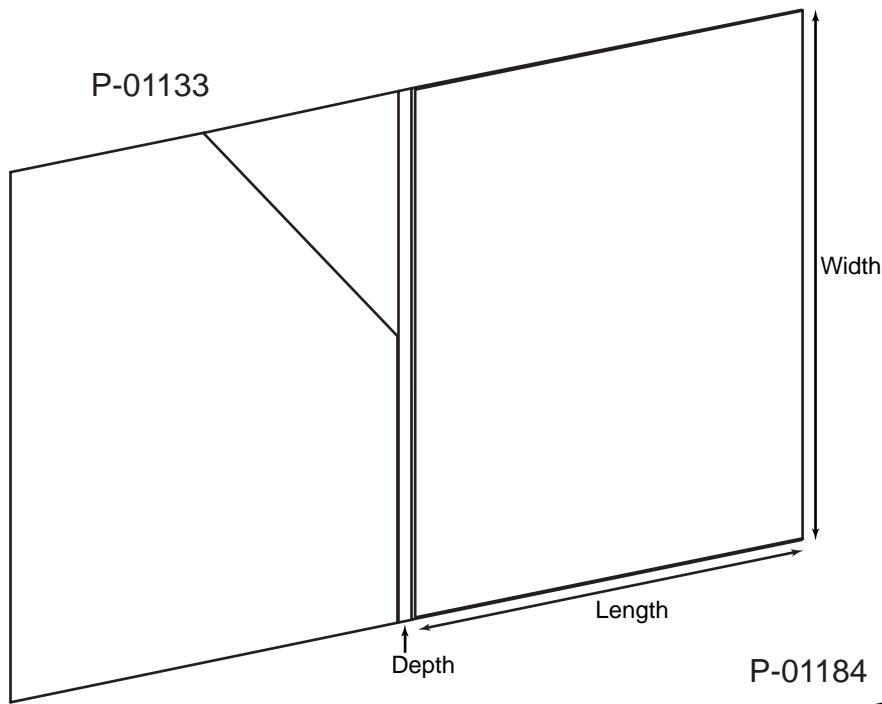
CD/DVD ROM • SOFTWARE • DISKETTE



Product Type: CD Holders and Presentation Packs

Die # **Length x Width x Depth** **Description**

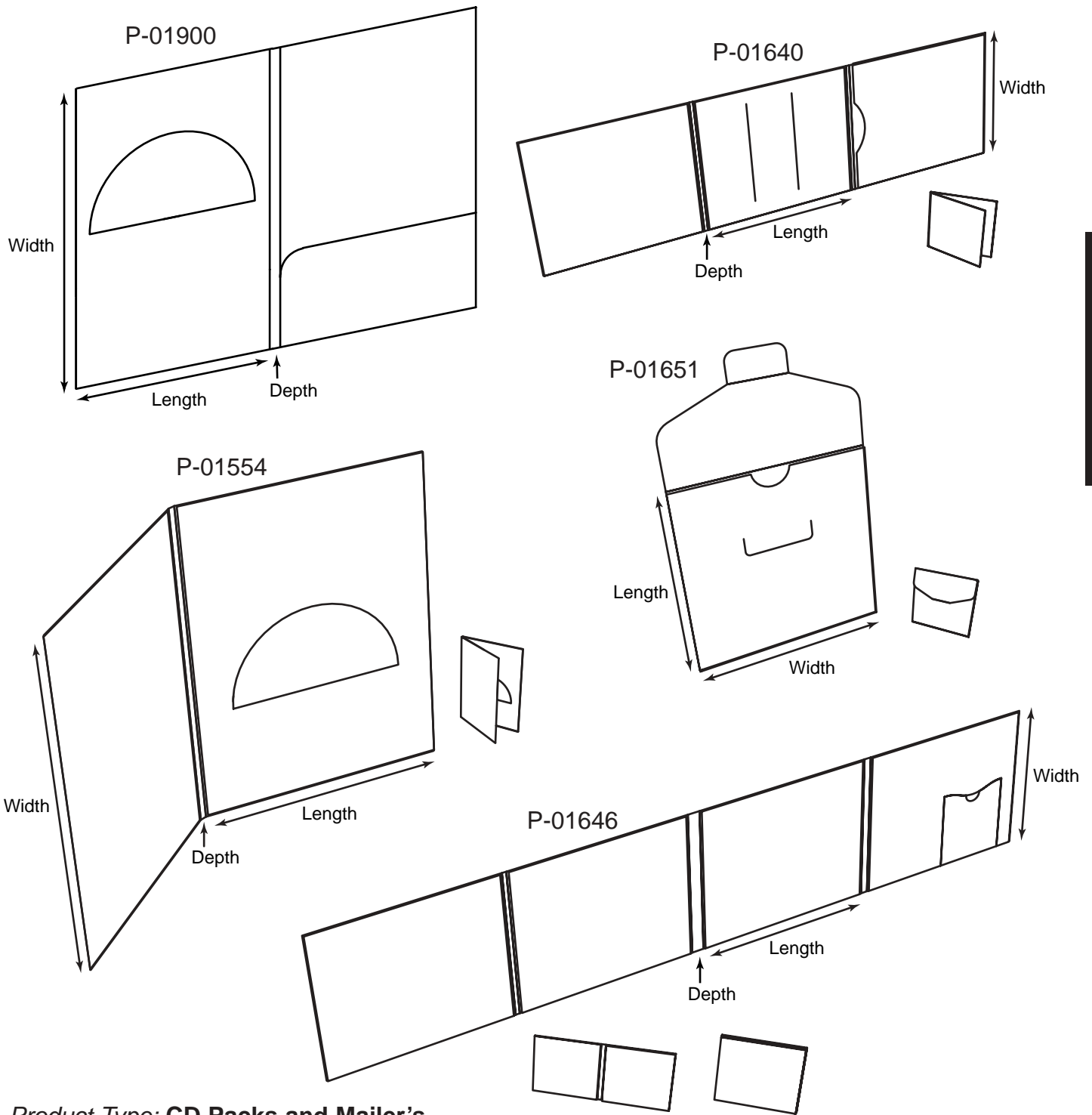
Die #	Length x Width x Depth	Description
B-203-JF	6 x 6 x 5/16	CD holder holds 3 CD's
I-405	5-1/4 x 1 x 5	CD holder --used with Die I-406JF; holds 4 sleeved CD's
I-406-JF	5 x 5	Single CD sleeve --used with Die I-405
P-01511	5 x 5-1/2 x 1/8	Holds 1 mini CD and 1 standard CD; 0499
P-01420	6-3/8 x 11	Four CD pack magazine insert, is 2 CD's per side, back to back and glues into publication with sticky glue; 0461, B-507



Product Type: CD Holders & Zip Strip Mailer's

Die # Length x Width x Depth Description

P-01133	9 x 12-1/16 x 1/4	Presentation pack with pocket uses plastic CD tray; B-358
P-01184	5-1/2 x 5 x 1/8	Single CD zip strip mailer with slits for business card and literature; 0303, B-058-JF
P-01247	5 x 5 x 1/8	CD mailer has one side half moon cut out and 1 reinforced panel; 0417
P-01276	5-3/16 x 5 x 1/8	Single CD holder with angle cut on pocket; I-386-JF



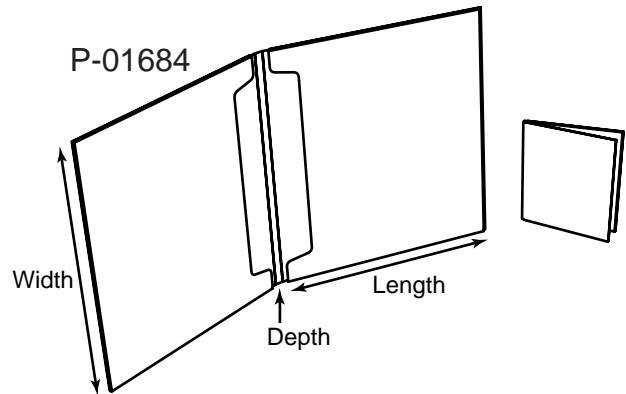
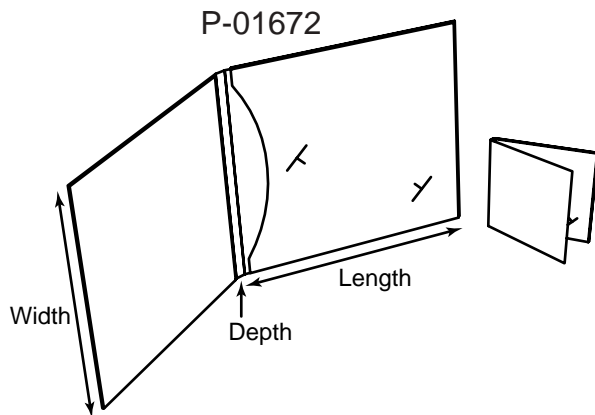
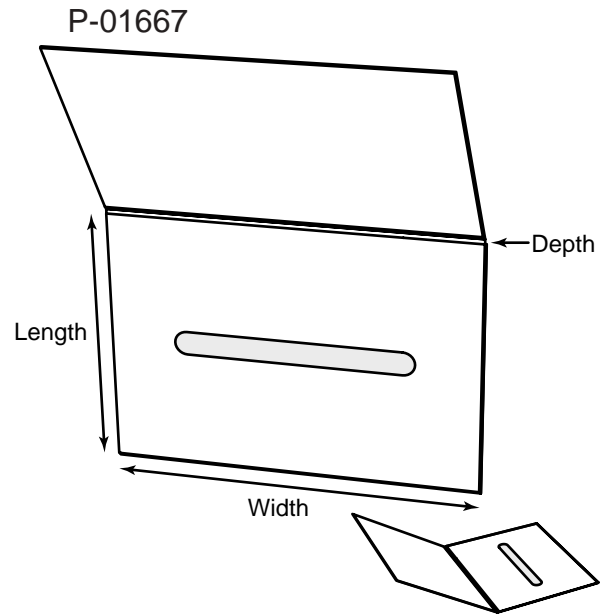
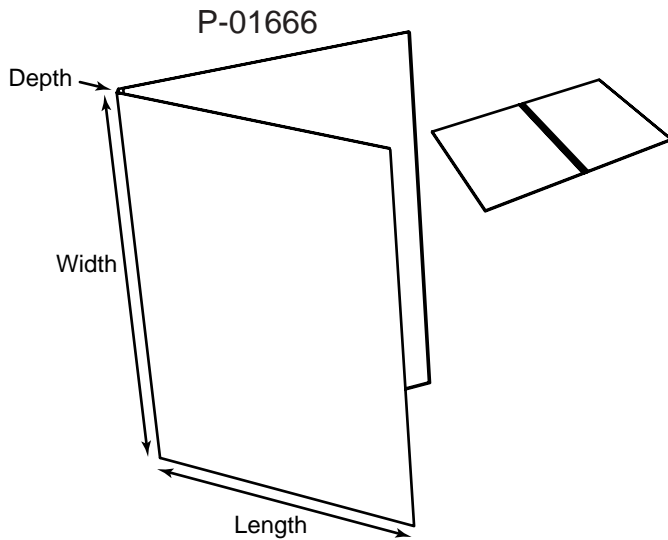
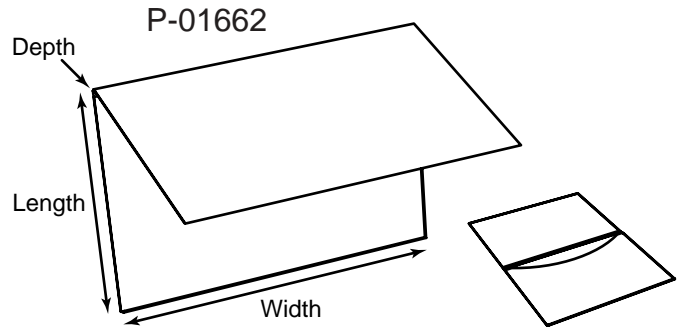
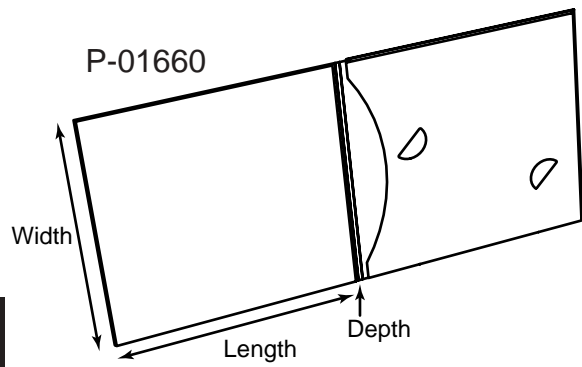
CD/DVD ROM •
 SOFTWARE • DISKETTE

Product Type: CD Packs and Mailer's

Die # Length x Width x Depth Description

Die #	Length x Width x Depth	Description
P-01640	5-1/2 x 4-15/16 x 1/8	One pocket for a full size CD and slits in the center panel for business card CD; B-573-JF
P-01646	5-9/16 x 4-15/16 x 3/8	Four reinforced super panels; holds 3 CD's on plastic trays, the fourth panel has a cut out for a business card; B-579
P-01900	9 x 6 x 1/4	Reinforced CD pack with 3" pocket; I-190
P-01554	6-3/4 x 9 x 3/16	Reinforced CD envelope; B-520
P-01651	5-1/8 x 5-1/8	CD mailer with extended tuck tab; 0544

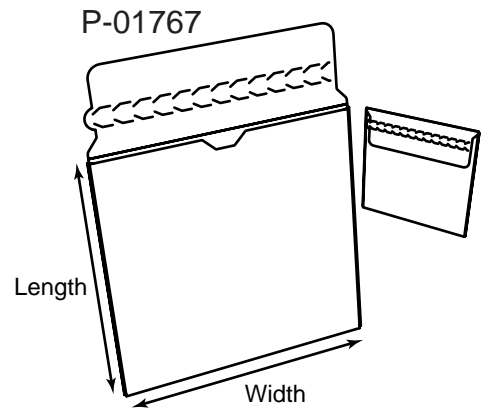
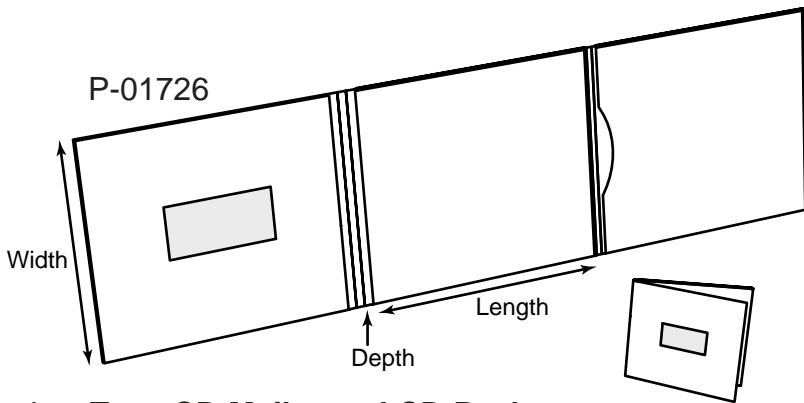
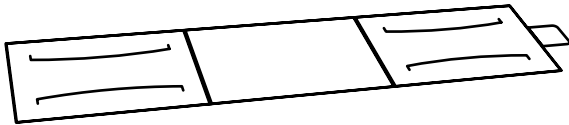
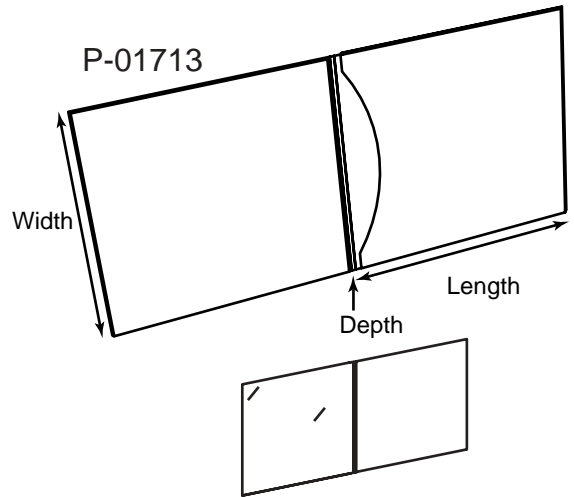
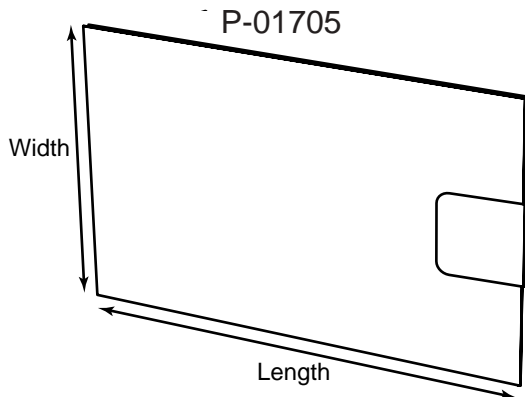
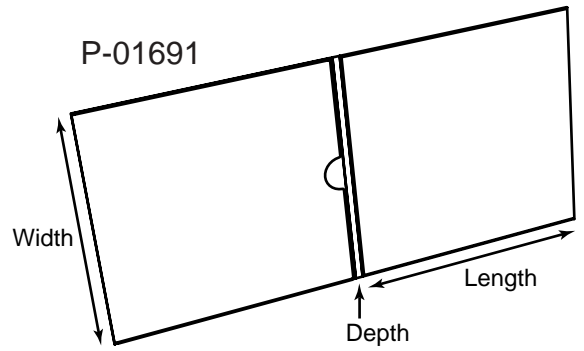
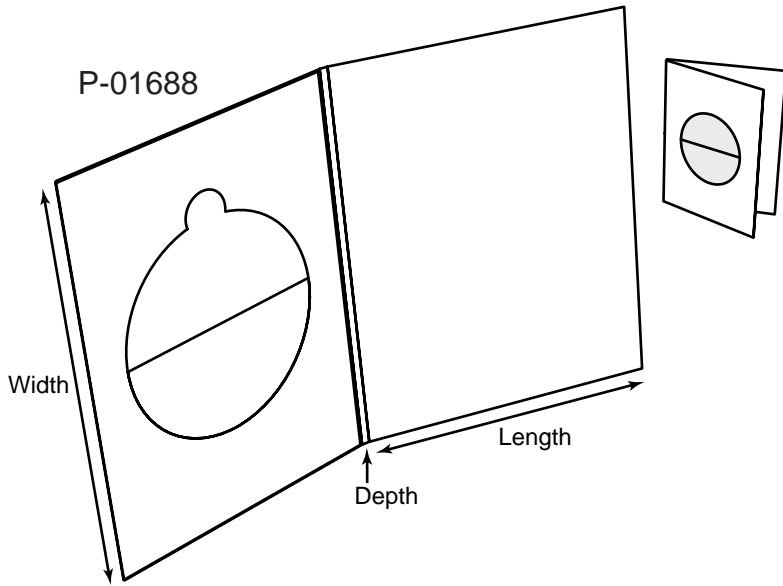
CD-54



Product Type: CD Mailer and CD Pack

Die # Length x Width x Depth Description

P-01660	5-1/8 x 5 x 1/8	Two panel single CD mailer has half moon cut and halfmoon business card slots; 0548
P-01662	5 x 7 x 1/8	Four panel CD mailer; b-589-JF
P-01666	6-1/4 x 8-1/4 x 3/16	Four panel CD mailer; B-591
P-01667	5-1/2 x 7-1/2	Four panel CD sleeve; 0550
P-01672	5-1/2 x 5 x 1/4	CD mailer with business card slots; 0552
P-01684	5-1/8 x 5-5/8 x 3/16	Double CD pack; 0557



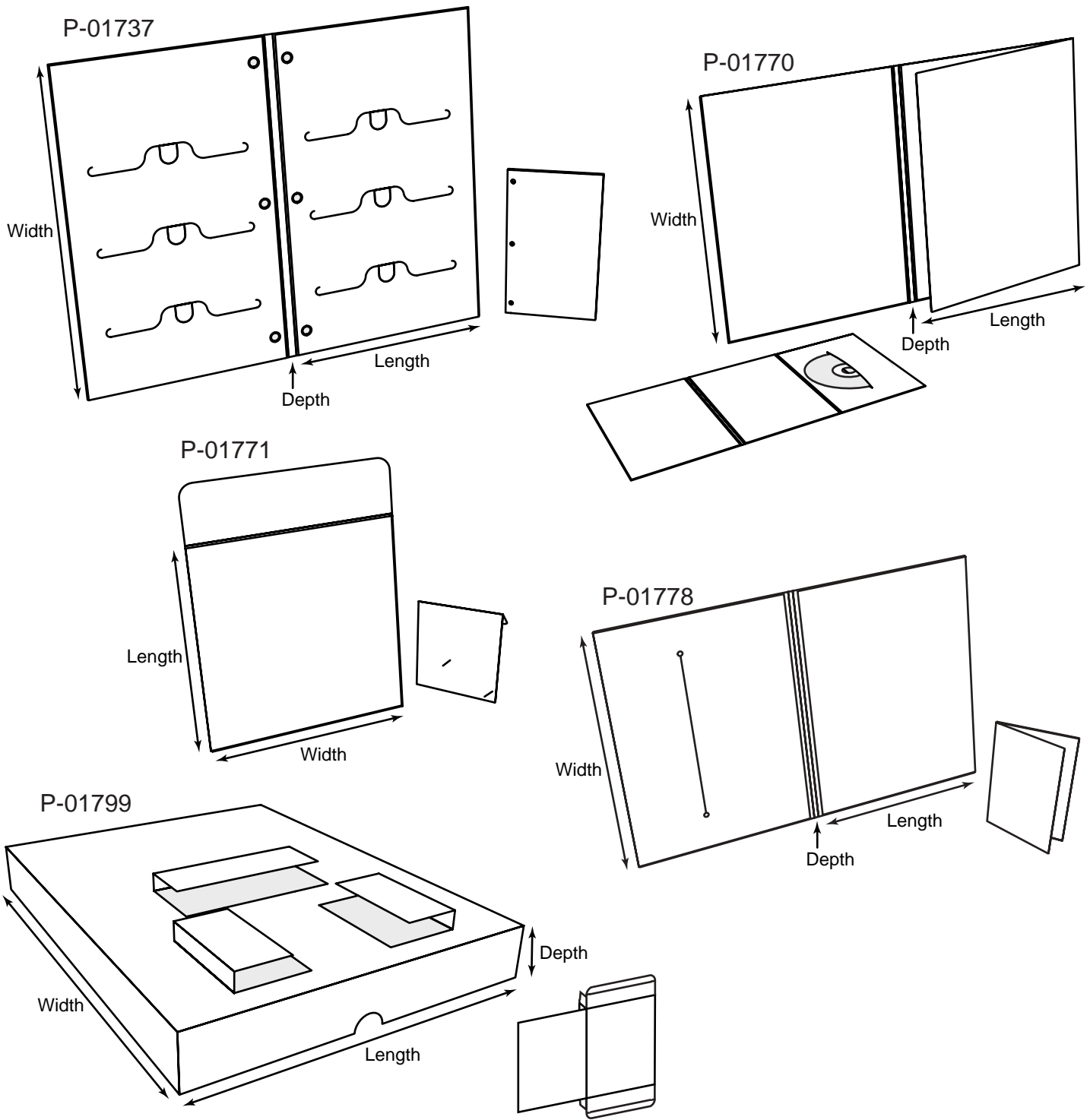
Product Type: CD Mailer and CD Pack

Die # Length x Width x Depth Description

Die #	Length x Width x Depth	Description
P-01668	6-3/4 x 9 x 3/16	CD holder with window; B-691, B-599-JF
P-01691	5-1/4 x 5-1/4 x 3/16	CD wallet; 0559
P-01705	9-1/8 x 6-1/8	CD pack with two panels designed to hold CD's; B-608
P-01713	5-5/32 x 5/1/32 x 3/32	CD pack has business card slot on outside; 0561, B-817-JF
P-01726	5-1/2 x 5 x 3/16	Two CD mailer with 1-3/16" x 2-1/4" window; B-622-JF
P-01767	5-1/4 x 5-1/4	CD zip strip mailer; B-646

CD-56

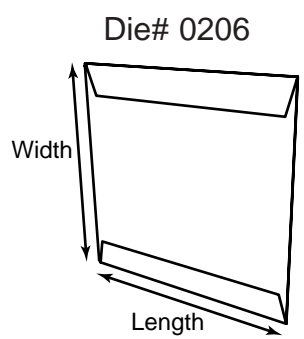
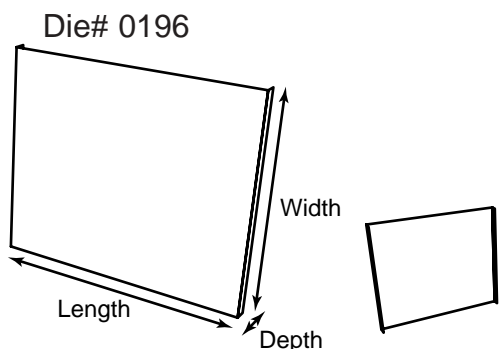
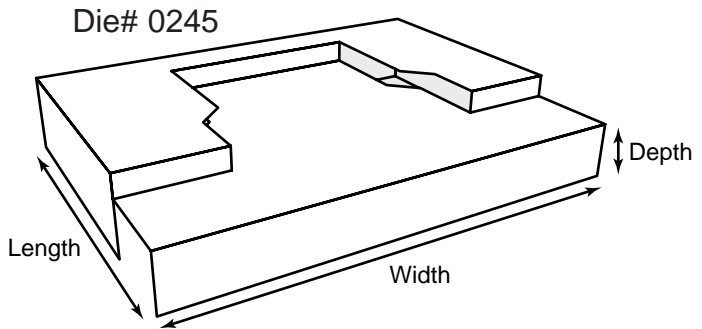
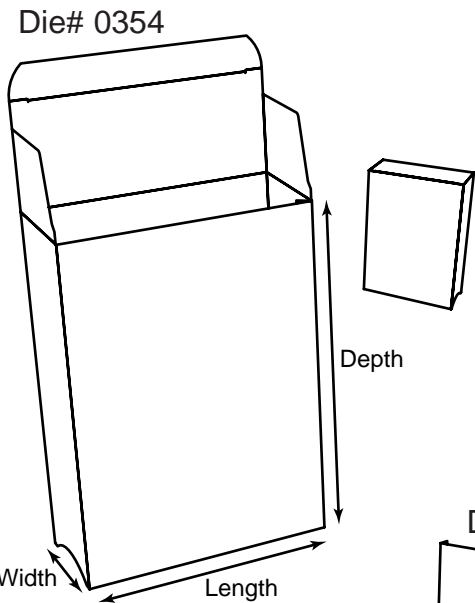
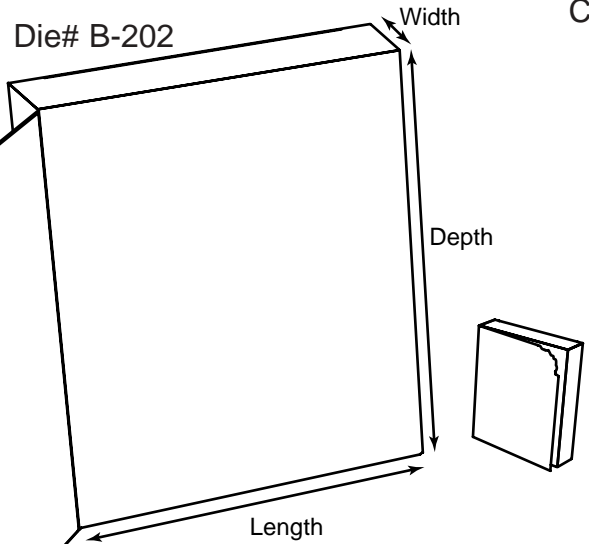
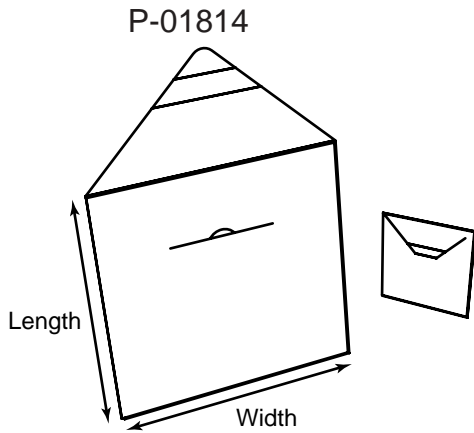
CD/DVD ROM • SOFTWARE • DISKETTE



Product Type: CD Pack and Mailer

Die # Length x Width x Depth Description

Die #	Length x Width x Depth	Description
P-01737	6-1/8 x 10 x 1/4	Six CD pack fits three ring hole punches; B-629-JF
P-01770	5-1/2 x 7-3/8 x 3/16	Three panel CD mailer with cateye slot; B-650-JF
P-01771	6 x 5-3/4	Standard CD sleeve with a flap over the top; 0576
P-01778	5 x 7 x 1/8	CD mailer; 0579
P-01787	5-9/16 x 4-15/16 x 3/16	CD zip strip mailer has one center pocket; B-662
P-01799	8-3/16 x 10-9/16 x 1-1/4	Insert holds a jewel case and it fits into Die I-334; 0586



Product Type: CD Mailer, CD &DVD Pack, and Sleeve

Die # Length x Width x Depth Description

Die #	Length x Width x Depth	Description
P-01814	5 x 5	CD mailer with tuck flap; 0589
B-202	8 x 2-1/16 x 9-1/2	Six panel auto-lock bottom software box
0354	5-3/8 x 2-5/16 x 7-9/16	DVD four pack, Amaray Case, bottom load
0245	6-9/16 x 8-3/4 x 1-1/2	Single CD jewel case insert for Die B-074
0196	5-7/16 x 4-5/8 x 1/4	CD jewel case insert
0206	5-1/16 x 5-1/8	CD sleeve with glue flaps on the outside of sleeve