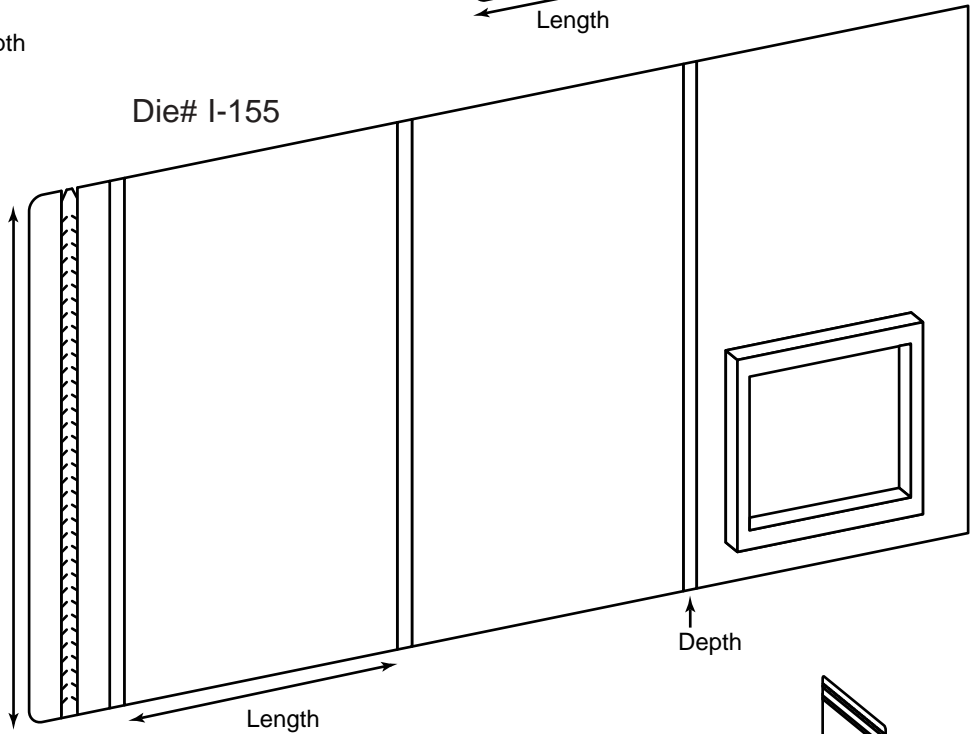
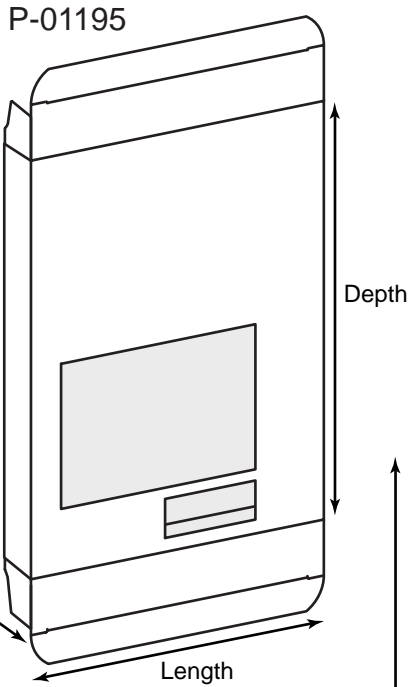
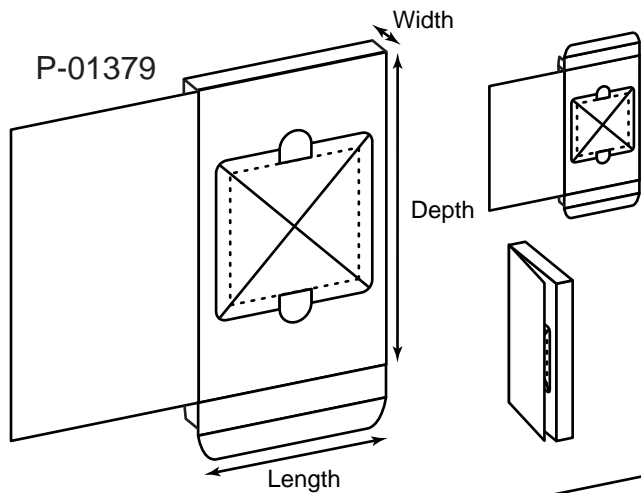
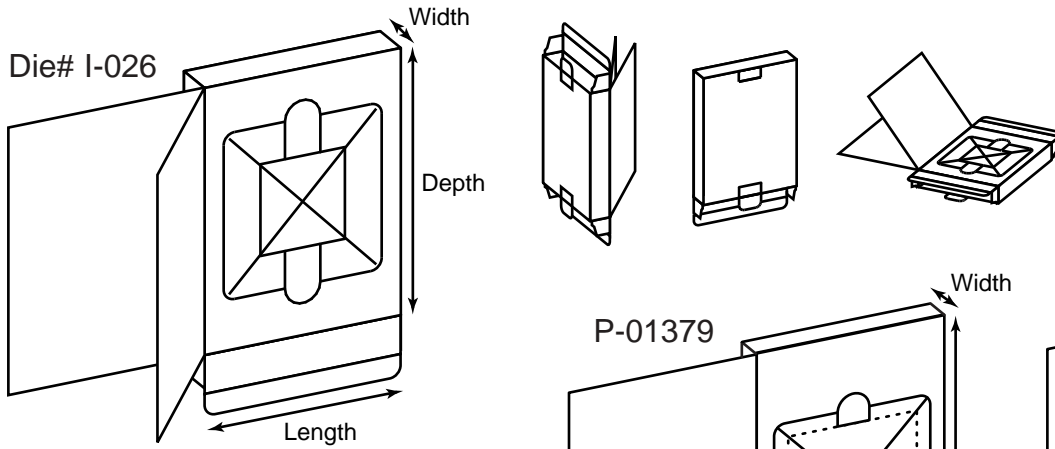


CD-20



Product Type: Double Tuck Diskette and CD Holders and Diskette Mailer

Die # Length x Width x Depth Description

Die #	Length x Width x Depth	Description
I-026	4-1/2 x 7/8 x 6	Seven panel double tuck box w/locking tabs holds one 3-1/2" diskette
P-01379	4-1/2 x 3/4 x 7	Five panel double tuck holds one or two 3-1/2" diskettes; I-103
P-01195	6-11/16 x 1-1/4 x 9-3/8	Double tuck box with built-in insert holds single CD jewel case flush with windows; B-070
I-155	6-3/8 x 12 x 3/8	Three panel zip strip mailer; one or two optional plastic holders for 3-1/2" diskettes