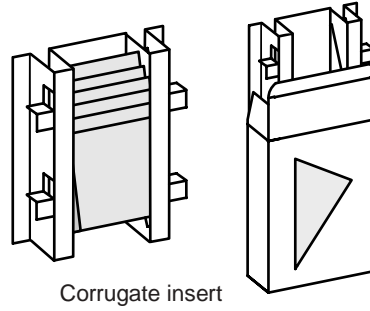
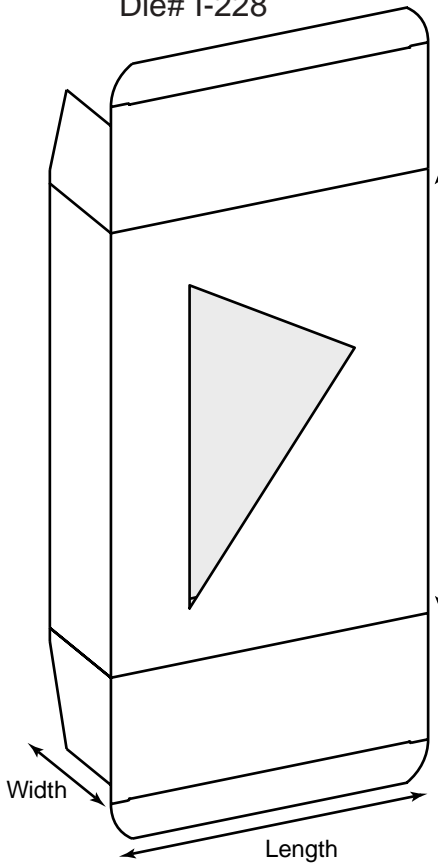
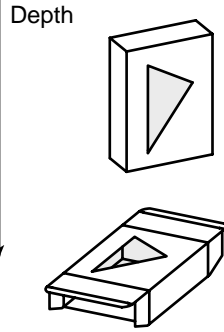


CD-16

Die# I-228

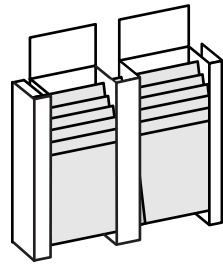
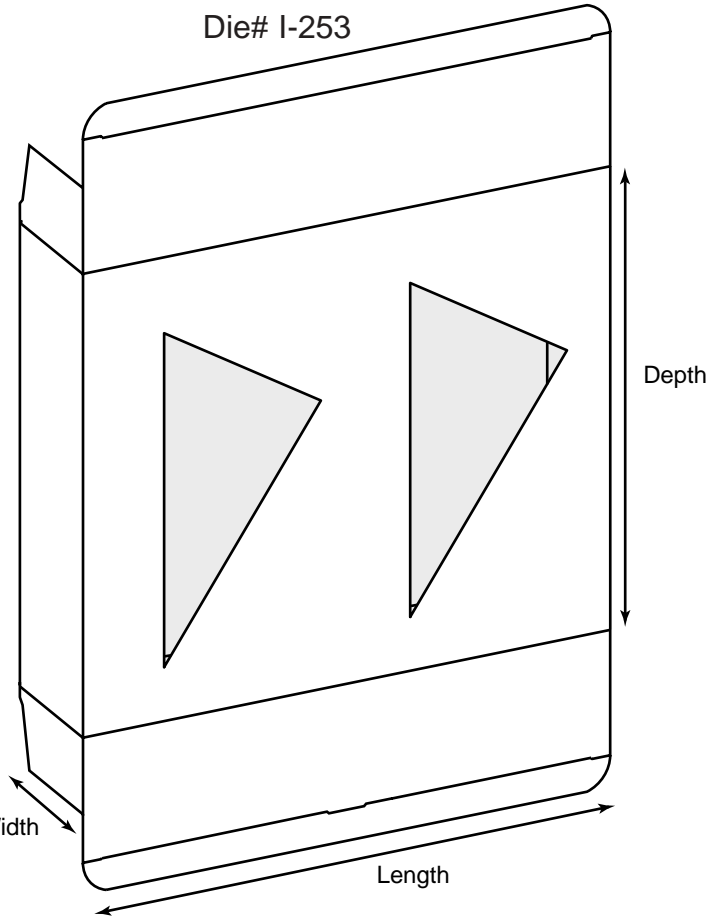


Corrugate insert



Depth

Die# I-253



Corrugate insert

Width

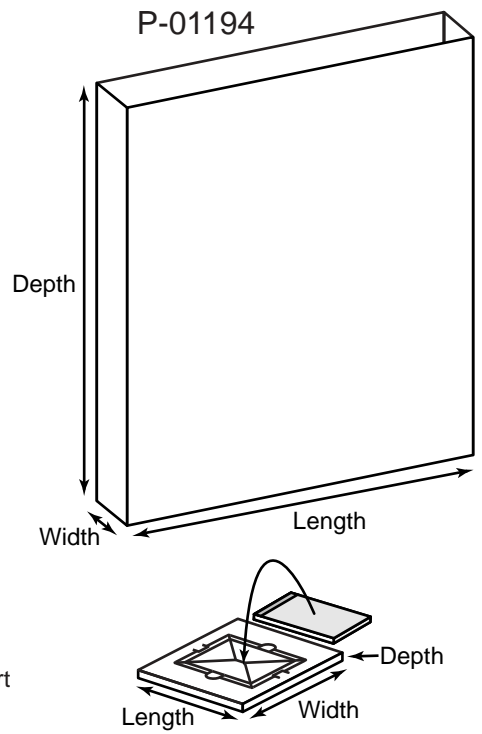
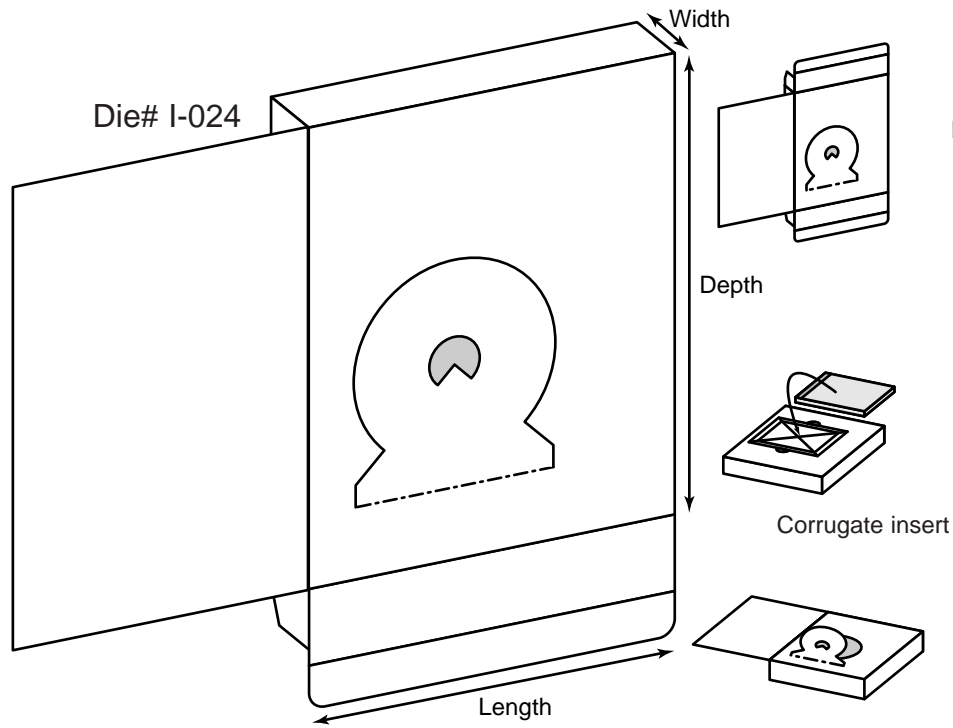
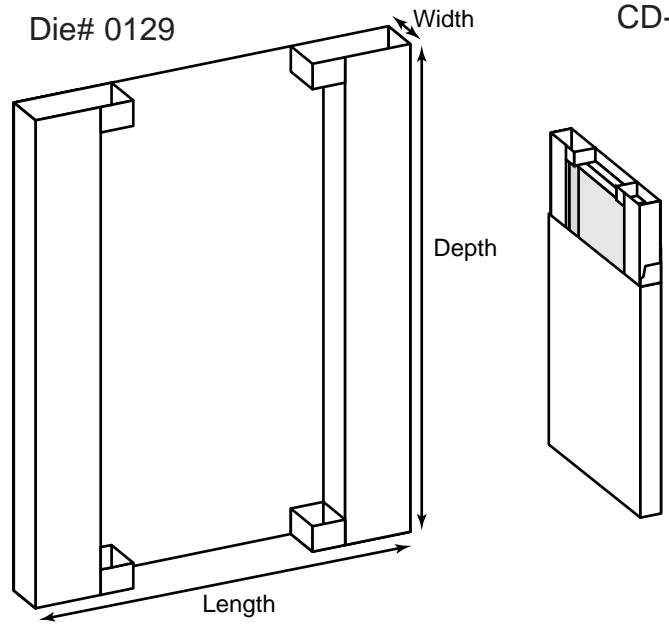
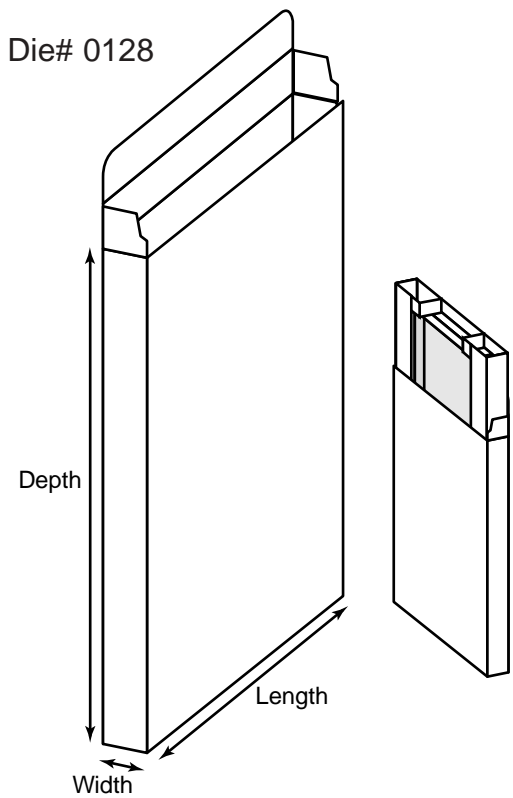
Length

Product Type: Double Tuck Boxes and Corrugate CD Jewel Case Inserts

Die # Length x Width x Depth Description

I-228	7-9/16 x 3 x 10-7/16	Double tuck with triangular die cut window; corrugate insert holds six CD jewel cases
I-253	12-3/16 x 3 x 10-1/2	Double tuck with two triangular die cut windows; corrugate insert holds twelve CD jewel cases

CD/DVD ROM • SOFTWARE • DISKETTE



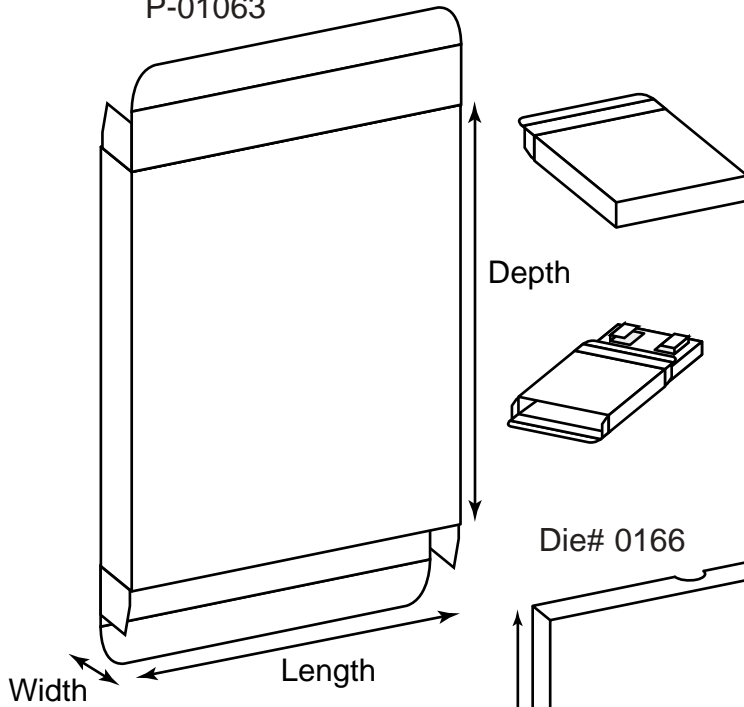
Product Type: Double Tuck Boxes & CD Jewel Case Inserts

Die # **Length x Width x Depth** **Description**

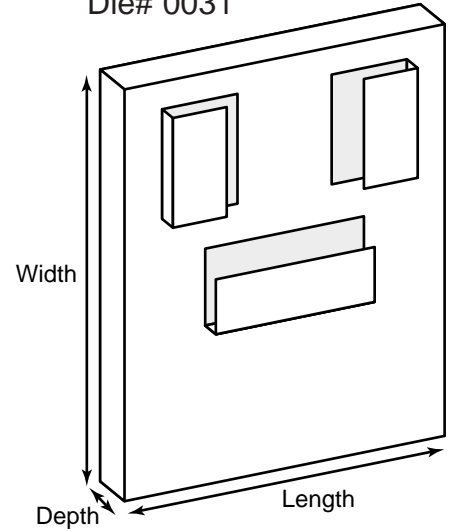
0128	8-3/4 x 1 x 11-1/4	Double tuck product box
0129	8-5/8 x 15/16 x 11	Four CD jewel case paperboard insert for 0128
I-024	8-1/2 x 1-3/4 x 10-1/2	Six panel double tuck product box with die cut flapped window; corrugate insert holds one CD jewel case
P-01194	8-1/16 x 1-7/16 x 9-1/2	Product wrap with 9-3/16" x 7-5/8" x 1/2" CD tray; B-069

CD-18

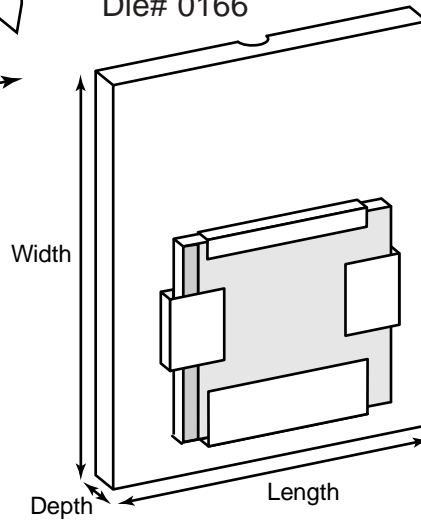
P-01063



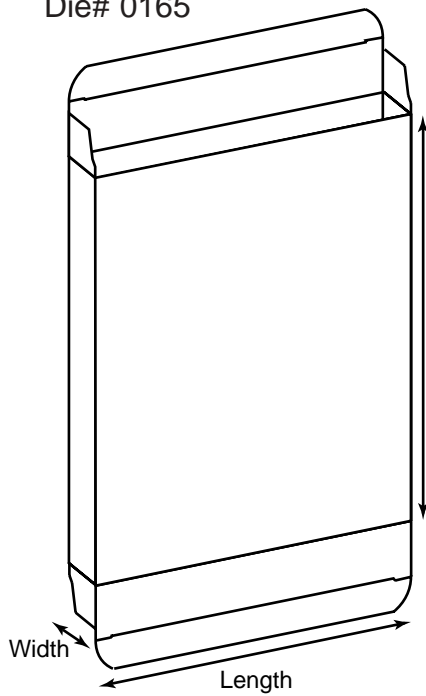
Die# 0031



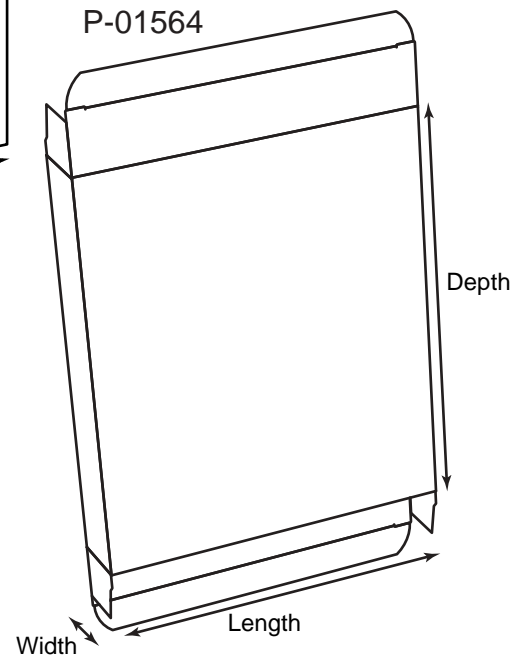
Die# 0166



Die# 0165



P-01564



Product Type: Reverse Double Tuck Boxes & CD Jewel Case Inserts

Die # Length x Width x Depth Description

Die #	<i>Length x Width x Depth</i>	<i>Description</i>
P-01063	7-1/2 x 1-1/2 x 9-1/2	Reverse double tuck product box; 0458, I-031
0031	7-7/16 x 9-3/8 x 1-1/8	CD jewel case paperboard insert for I-031
0166	7-1/4 x 9-3/16 x 1-3/16	CD jewel case paperboard insert for 0165
0165	7-5/16 x 1-1/4 x 9-1/4	Reverse double tuck product box
P-01564	8 x 1-1/2 x 9-9/16	Reverse Double Tuck Box. Same as B-434, but does not have CD Jewel Case Divider; 0515